

PARTS BULLETIN

ISSUE DATE: **11/93** MODEL: **222697 and** SUBJECT: **Replacement of** NO.: **37**
REVISION DATE: - **222698 Relay** **A-233059 Relay**

Service Kits

These kits replace the discontinued A-233059 relay. Due to the widespread application of the A-233059 relay, the use of the relay will need to be determined in order to choose the proper service kit and installation procedure.

Examine the original A-233059 relay and determine if the relay is designated as a CC, CR, 1CR, or 2CR relay. **Do NOT disconnect any leads without taking proper notes.** Identification of relay can be established by:

1. A decal CC, CR, 1CR, or 2CR on the relay.
2. Referencing the wiring diagram (if available). **NOTE:** Most wiring diagram numbers can be found in publication ES-913, Specification Number Wiring Diagram Reference using the proper model no. and spec no. found on the generator set nameplate. A wiring diagram should be obtained prior to installing the service kit.
3. Determine if the relay is used as a CC relay where a lead is running *through* the frame of the relay near the coil. See Figure 1. This lead is connected between the C relay and 2TS (thermal switch).

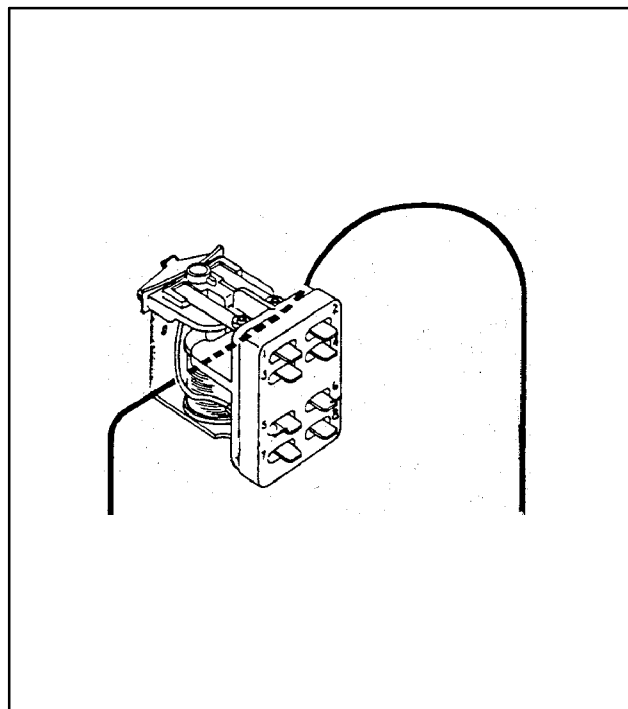


Figure 1. CC Relay with Lead

(over)

Routing	Service Manager	Sales Manager	Parts Manager	Technician No. 1	Technician No. 2	Technician No. 3	Return This to
Initial Here							

After determining the application of the A-233059 relay, one of the following should apply:

- If the use of the original relay is a CR, 1CR, or 2CR relay, order the 222698 relay service kit.
- If the use of the original relay is a CC relay (with lead), check if another A-233059 relay is used in the controller. If another A-233059 is available use that relay as the CC relay and order the 222698 relay service kit as a replacement for the substituted relay.
- If the use of the original relay is a CC relay (with lead) and another A-233059 relay is not available in the controller, order the 222697 relay service kit. The 222697 relay service kit is designed to fit the majority of CC relay applications. However, if the CC relay uses a *shunt jumper* across the CC winding, no service kit is available for this application at this time. Contact an authorized service distributor or the Kohler Generator Service Department for additional information. See Figure 2 wiring diagram for an illustration of the shunt jumper.

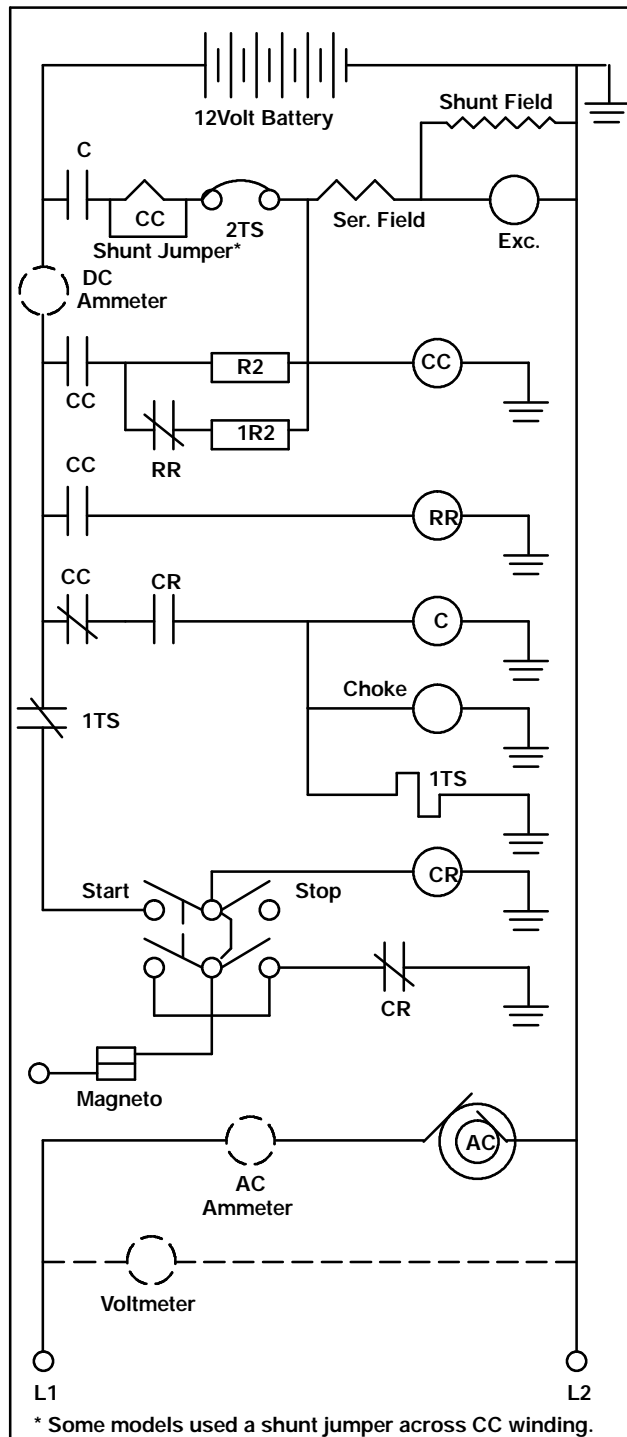


Figure 2. Existing Relay Connections (typical)