

# PARTS BULLETIN

ISSUE DATE: **3/94** MODEL: **324631,** SUBJECT: **Replacement of** NO.: **42**  
 REVISION DATE: - **324632, and** **233180 and**  
**324633 Relay** **A-243997 Relays**  
**Service Kits**

Relays 233180 and A-243997 have been discontinued. Choose the replacement service kit from the table below and follow the respective installation procedure supplied with that kit.

Discontinued Relay	Designation and Application	Replacement Relay Service Kit
A-243997	CC Relay	324631
A-243997	CR, 1CR, or 2CR	324632
233180	1CR or 3CR	324633

Examine the original 233180 relay to determine if it is a 1CR or 3CR relay.  
 If the original relay is a 233180 and is used as a 1CR or 3CR relay, order the 324633 relay service kit. **Do NOT disconnect any leads without marking each lead.**

Examine the original A-243997 relay to determine if it is designated a CC, CR, 1CR, or 2CR relay. **Do NOT disconnect any leads without marking each lead.** Identify relays by the following:

1. A CC, CR, 1CR, 2CR, or 3CR decal on the relay.
2. Refer to the wiring diagram.

### NOTE

Obtain wiring diagrams from Kohler Generator Service Parts by indicating the model number and spec number found on the generator set nameplate.

3. If the A-243997 relay is used as a CC relay, there will be a large 8- to 10-ga. lead running *through* the frame of the relay near the coil. See Figure 1. This lead is connected between the C relay and 2TS (thermal switch).

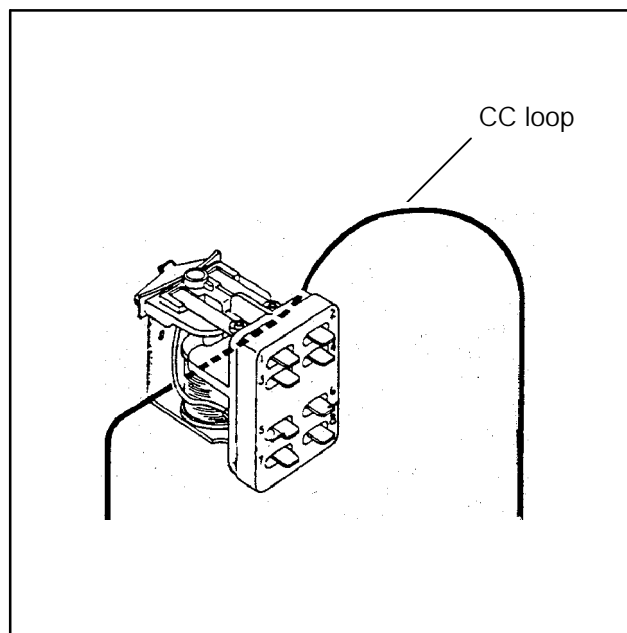
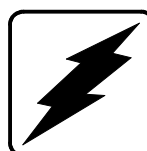


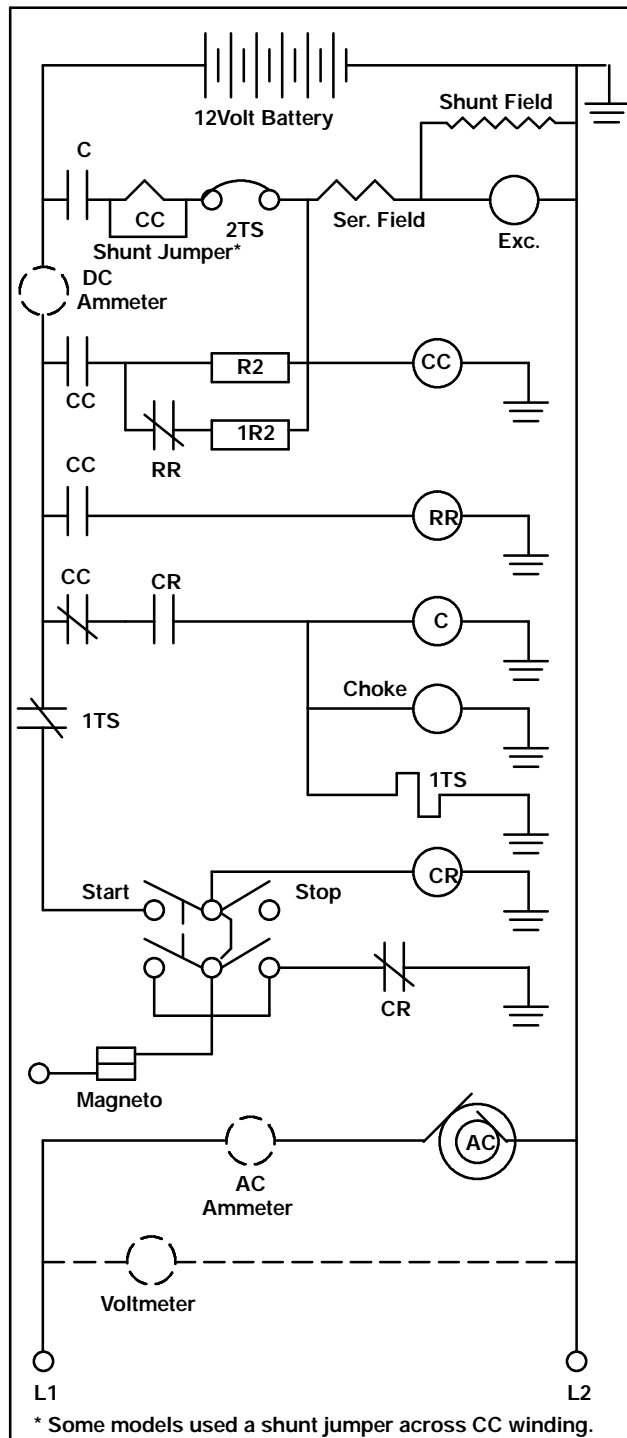
Figure 1. CC Relay with Lead

Routing	Service Manager	Sales Manager	Parts Manager	Technician No. 1	Technician No. 2	Technician No. 3	Return This to
Initial Here							



**Determine the application of the A-243997 relay from the following:**

- If the use of the original relay is a CR, 1CR, or 2CR relay, then order the 324632 relay service kit.
- If the use of the original relay is a CC relay (with load) and another A-243997 relay is available in the controller, replace the CC relay with the A-243997 relay from the controller and order a 324632 relay service kit to replace the substituted relay.
- If the application of the original relay is a CC relay (with lead) and another A-243997 relay is not available in the controller, order the 324631 relay service kit. The 324631 relay service kit is designed to fit the majority of CC relay applications. However, no service kit is available if the CC relay uses a *shunt jumper* across the CC winding. Contact an authorized service distributor or the Kohler Generator Service Department for additional information. See Figure 2 for an illustration of the shunt jumper.



**Figure 2. Existing Relay Connections (typical)**