

PARTS BULLETIN

Original Issue Date: **8/92**

Models: **8/10/12.5C Marine** **10/12RY Industrial**
10/12CC Mobile **10/12RFY Industrial**
10/12CFC Mobile **10/12RZ Industrial**
10/12CZ Mobile **10/12RFZ Industrial**
10/12CFZ Mobile

Market: **Industrial, Mobile, Marine**

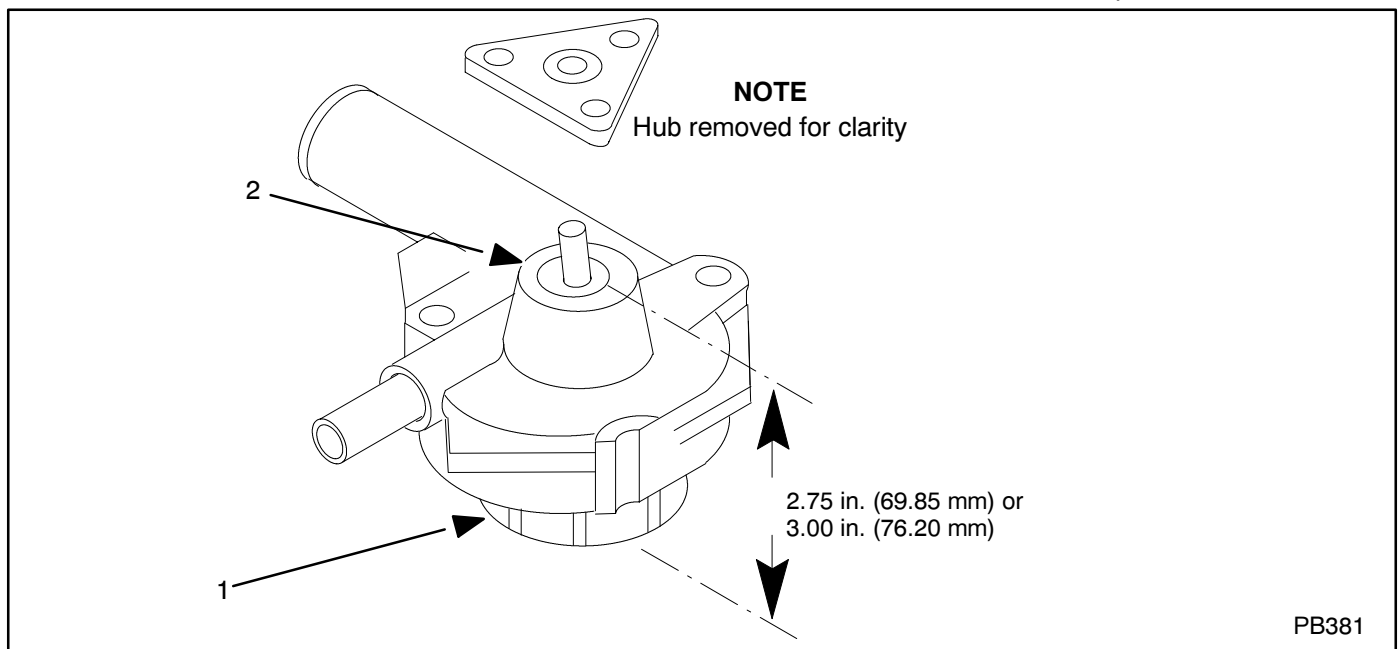
Subject: **Engine-Driven Water Pump Kits and Engine Assemblies**

The engine-driven water pump design used on Ford VSG-411 DIS and VSG-413 DIS engines has changed. Because the length of the water pump has changed, marine generator sets require a new pulley and belt guard when replacing the water pump. Mobile and industrial units require a new pulley and spacer when replacing the water pump. Service repair kits are available for changing the water pump on these models.

The water pump redesign is a running change to subject models. The marine models use a serial number break

and the mobile and industrial models use a spec number break to show where a service repair kit is required. Use the chart on the back of this page to determine the correct service repair kit.

All models not requiring a service repair kit use part number 224772 or 326618 as a replacement depending on the length of the pump. Measure the water pump to determine the correct part number. See Figure 1 for measuring points. Use the chart on the back of this page to determine the correct service part.



1. Impeller

2. End of Pump Casting

Figure 1. Water Pump Dimension

Measuring Instructions

1. Place water pump on a hard, flat surface with impeller down.

2. Measure distance from impeller to end of pump casting.

Routing	Service Manager	Sales Manager	Parts Manager	Technician No. 1	Technician No. 2	Technician No. 3	Return This to
Initial Here							

Generator Model	Engine Model	Generator Set Spec Number	Generator Set Serial Numbers Prior To	Service Kit Part Number (includes pump 224722)	2.75 in. (69.85 mm) Pump Number	3.00 in. (76.20 mm) Pump Number
Marine						
8C	VSG-411	110302	286315	224300	N/A	N/A
		110303 and above	N/A	N/A	326618	224772
10C	VSG-411	110106/110109	286315	224300	N/A	N/A
		110110 and above	N/A	N/A	326618	224772
12.5C	VSG-413	110206/110209	295648	224300	N/A	N/A
Mobile						
10CC/10CFC	VSG-411	110403,4,9,16	N/A	224363	N/A	N/A
		110423 and above	N/A	N/A	326618	224772
10CZ/10CFZ	VSG-411	110405,6,10,11,17	N/A	224363	N/A	N/A
		110424 and above	N/A	N/A	326618	224772
12CC/10CFC	VSG-413	110503,4,9,16	N/A	224363	N/A	N/A
		110523 and above	N/A	N/A	326618	224772
12CZ/10CFZ	VSG-413	110507,8,10,11,18	N/A	224363	N/A	N/A
		110525 and above	N/A	N/A	326618	224772
Industrial						
10RY/10RFY	VSG-411	110402,12,15,19	N/A	224363	N/A	N/A
		110422 and above	N/A	N/A	326618	224772
10RZ/10RFZ	VSG-411	110408,13,18,20	N/A	224363	N/A	N/A
		110425 and above	N/A	N/A	326618	224772
10R9/10RF9	VSG-413	110414,21	N/A	224363	N/A	N/A
		110428 and above	N/A	N/A	326618	224772
12RY/12RFY	VSG-413	110502,12,15,19	N/A	224363	N/A	N/A
		110522 and above	N/A	N/A	326618	224772
12RZ/12RFZ	VSG-413	110506,13,17,20	N/A	224363	N/A	N/A
		110524 and above	N/A	N/A	326618	224772
12R9/12RF9	VSG-413	110514,21	N/A	224363	N/A	N/A
		110528 and above	N/A	N/A	326618	224772

N/A Not Applicable

The engine-driven water pump design change also affects engine assemblies. Use the following chart to order service replacement engines. When ordering the new engine assembly be sure to order the additional components necessary for retrofitting the generator set

noted by asterisk below. The additional components are required only when updating an engine with the earlier version engine-driven water pump. See generator spec and serial number breaks in previous table.

Model	Earlier Engine Assembly Number (Discontinued)	Later Engine Assembly Number (Discontinued)	New Engine Assembly Number*
8C-Marine	A-246239	A-246377	A-260089
10C-Marine	A-246239	A-246377	A-260089
12.5C-Marine	A-246240	A-246378	A-260090
10CC/12CZ-Mobile	A-246239	A-246377	A-260089
12CC/12CZ-Mobile	A-239240	A-246378	A-260090
10RY/10RZ-Industrial	A-239239	A-246377	A-260089
12RY/12RZ-Industrial	A-239240	A-246378	A-260090

* Requires additional parts to retrofit earlier version engine-driven water pump generator sets. In marine applications order belt guard 229052 and pulley 260091. In mobile and industrial applications order fan spacer 260088 and pulley 260091.