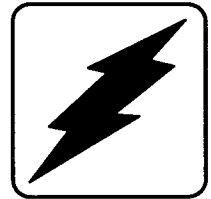


Parts Catalog

Standby Generator Sets



Models:

7RMY

7RHMY

(K582 powered)

KOHLER[®]
POWER SYSTEMS

SPECIFICATION SERIES 1401

TP-5120 5/93

SERIES 1401
SPECIFICATION NUMBER INDEX

GROUP TITLE & NUMBER	GROUP #	PAGE	SPEC NO.	VARIATION NO.
AIR INTAKE	1	1	140101a	9
BAFFLES & SHROUDS	2	1	140102a	9
BREATHER	3	2	140103a	9
CAMSHAFT & VALVES	4	2	140104a	9
CARBURETOR	5	4	140105a	9
CRANKCASE	7	8	140106a	9
CRANKSHAFT	8	9	140107a	9
CYLINDER HEAD	9	9	140108a	9
DIPSTICK	10	10	140109a	9
ELECTRIC START	11	10	140110	9
EXHAUST SYSTEM	12	11	140111	9
FLYWHEEL	13	11	140112	9
FUEL PUMP	14	12	140113	9
GOVERNOR	17	14	140114	9
IGNITION	18	18	140115	9
OIL PAN	21	20		
PISTON & RODS	22	20		
OIL PUMP	25	21		
GEAR COVER	26	22		
OIL FILTER	29	22		
HIGH TEMP. CUTOUT	31	23		
OIL PRESS. CUTOUT	32	23		
GASKET SETS	39	23		
SKID & MOUNTING	109	24		
GENERATOR & MOUNTING	201	24		
CONTROLLER & MOUNTING	301	26		
HOUSING & MOUNTING	501	28		
ACCESSORIES	601	30		
LITERATURE	701	33		

INTRODUCTION

This manual contains a complete listing of service replacement parts for Kohler 7 kW Standby Generator Sets with specification series code 1401. These use the Kohler Model K582 Engine. The manual includes the following main sections in the sequence listed.

1. *Specification Number Index*: Listing of generator set spec numbers arranged in numerical sequence on each page. Group variation numbers are listed in the horizontal line to the right of each spec number.

2. *Group Parts Lists*: Indicates specific parts for each specification. Illustrations of parts are shown for some of the various parts. Illustrations are keyed to the parts numbers found in the parts group listings.

GROUP VARIATION NUMBER: There may be various groupings of parts designed to provide the same function, however, with minor differences. Each of these differences necessitates the assignment of a group variation number. Example, dry air cleaner or oil bath air cleaner — both perform the same function, however, use different parts.

PART NUMBER: The part number is the number by which an individual piece part of a generator set is identified and ordered.

NUMBER SIGNIFICANCE

There are various numbers which must be used in determining how to identify a part number. The significance of each of these numbers is explained as follows:

SPECIFICATION NUMBER: The generator set specification number, which is found on the nameplate attached to the frame of the generator, indicates model variation or

the combination of groups used to build that particular generator set. The spec number is, in effect, a coded number. The first four digits, which are the code designation for generator size and engine model, remain constant in this series while the remaining digits in the spec number are issued in numerical sequence. When the sequential number reaches 99, the next number will be 100, for example: 140199 is followed by 1401100 — note that the spec number goes from a 6 digit to a 7 digit number in this example.

GROUP NUMBER: The group consists of related parts needed to provide one or more related functions.

HOW TO FIND PART NUMBERS

Following a step-by-step procedure to be used in identifying and ordering a specific part.

Item to be ordered: *ROTOR ASSEMBLY*

STEP 1: Record the *Generator Set* specification number from the nameplate on the generator frame. (Sample: 140101A.)

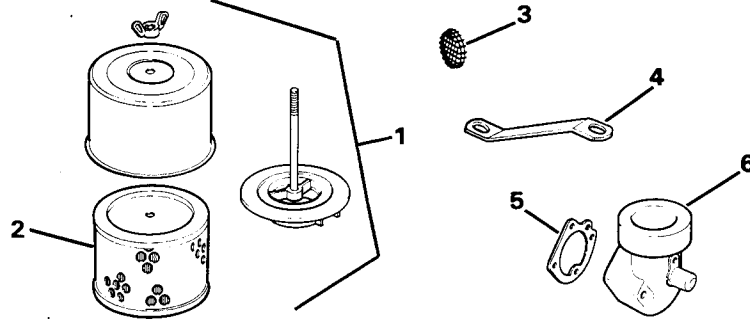
STEP 2: In the Specification Number Index, find specification 140101A in the left-hand vertical column. Under Group 201, Generator Assembly, locate the variation number assigned to specification 140101A. The variation number is 73.

STEP 3: Turn to Part Group 201 — Generator Assembly. Note the Rotors are identified with Index Number II, under this number locate Variation 73. Rotor assembly B-238236 is assigned to this variation.

NOTE: Quantities greater than one are shown in brackets behind part description.

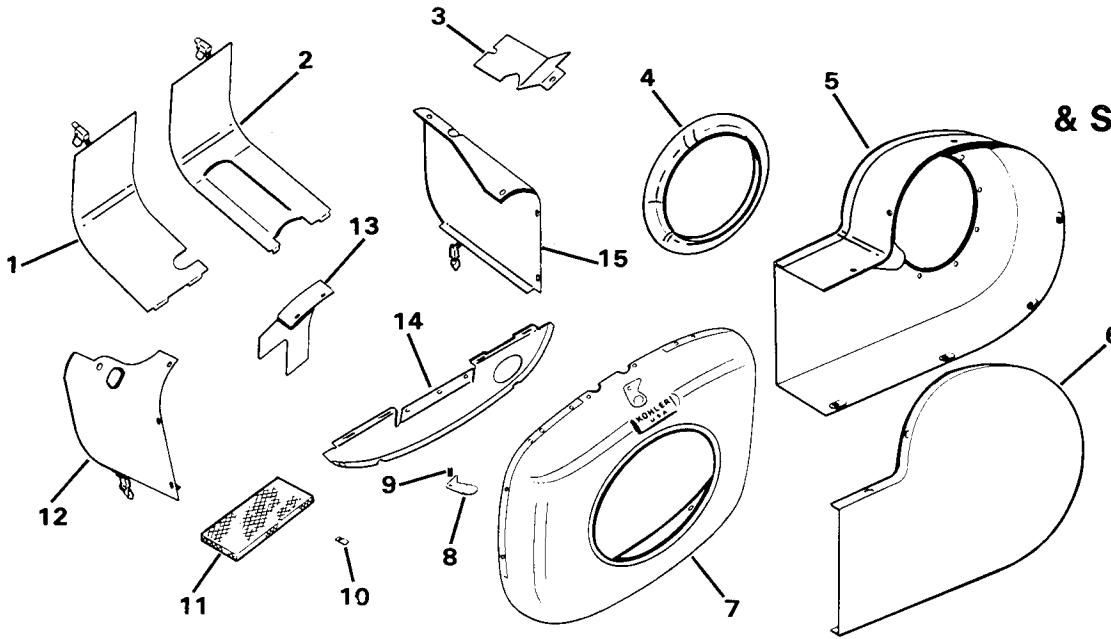
SERIES 1401

GROUP 1 AIR INTAKE



Index Number	Description Variation Number	Part Number	Index Number	Description Variation Number	Part Number
1	Air cleaner assembly 9	A-275789	4	Brace, air cleaner elbow 9	277116
2	Element 9	267502	5	Gasket, elbow 9	277069
3	Screen, air cleaner 9	48 162 05	6	Elbow, air cleaner 9	48 054 11

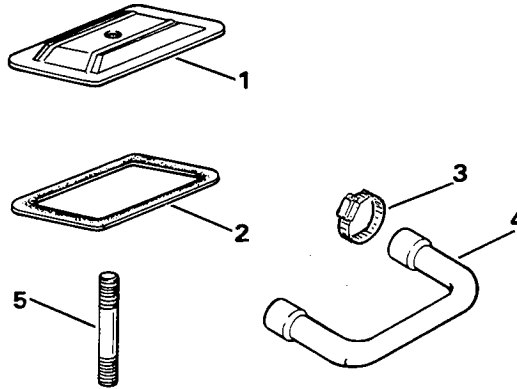
GROUP 2 BAFFLES & SHROUDS



Index Number	Description Variation Number	Part Number	Index Number	Description Variation Number	Part Number
1	Baffle (#1 Barrel) 47, 50	277048	8	Cover, timing hole 47	270175
2	Baffle (#2 Barrel) 47, 50	277168	9	Spring, timing hole cover 47	270278
3	Baffle 47, 50	48 063 01	10	Brace 47	41 120 02
4	Baffle, air 47	275812	11	Screen 47	48 162 06
5	Scroll 47	48 539 01	12	Baffle (#1 Cylinder Head) 47, 50	277051
6	Cover, scroll 47	275824	13	Baffle (#1 Upper Cylinder) 47, 50	277054
7	Housing, blower 50	48 027 04	14	Baffle, housing support 47, 50	277230
	Housing, blower 47	277260	15	Baffle (#2 Upper Cylinder) 47, 50	277534

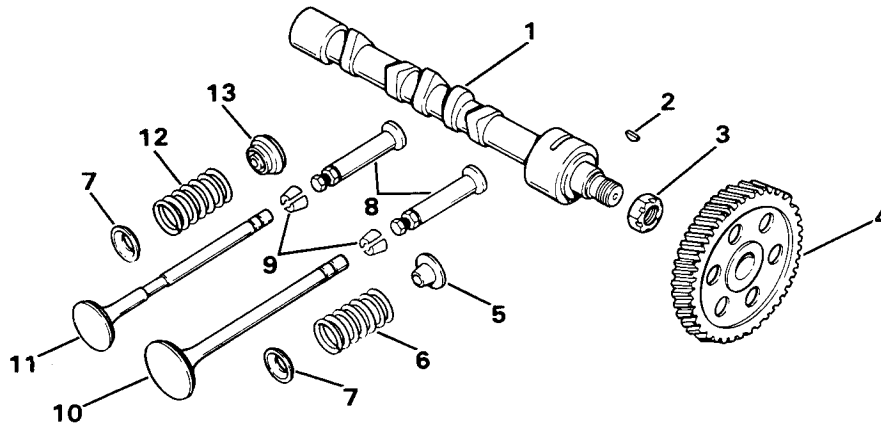
SERIES 1401

GROUP 3 BREATHER



Index Number	Description Variation Number	Part Number	Index Number	Description Variation Number	Part Number
1	Cover, valve (2) 5	270036	4	Hose, breather 5	277392
2	Gasket, valve cover (2) 5	270034	5	Stud (2) 5	220368
3	Clamp, hose (2) 5	X-426-3			

GROUP 4 CAMSHAFT & VALVES

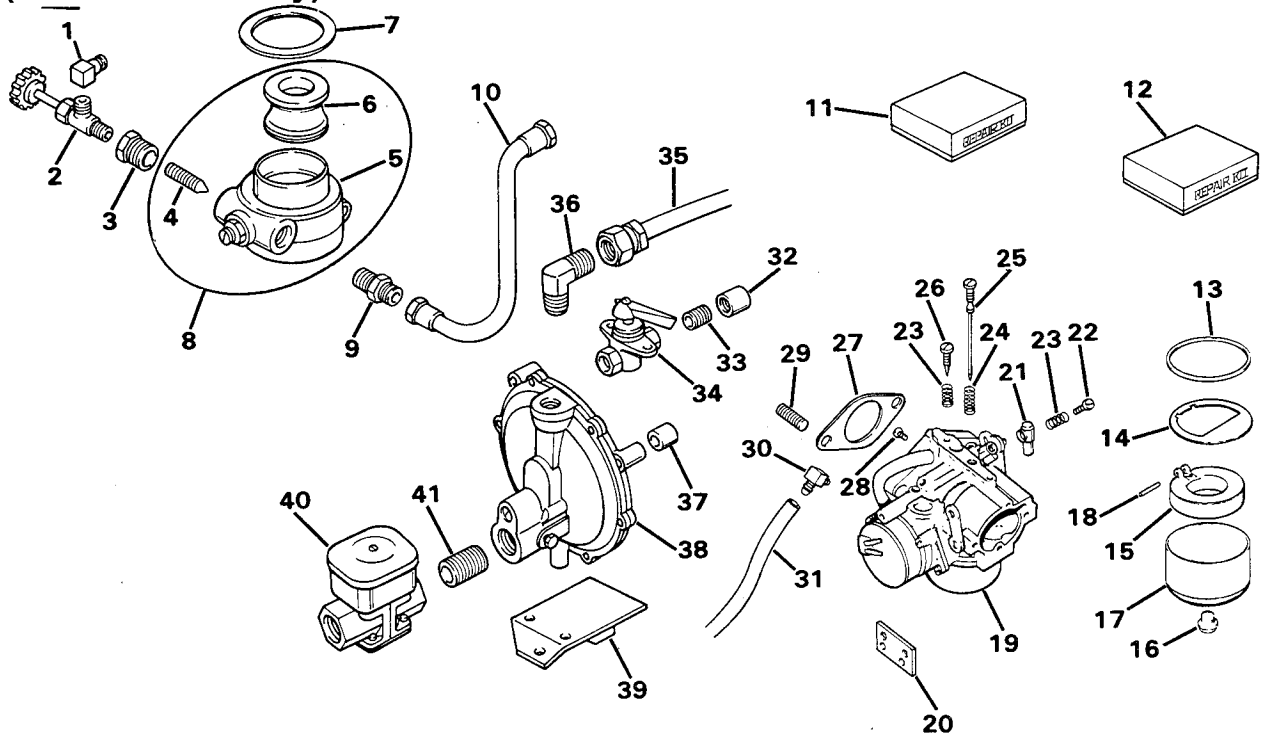


Index Number	Description Variation Number	Part Number	Index Number	Description Variation Number	Part Number
1	Camshaft 9	48 012 01	8	Tappet (4) 9	D-277031
2	Key, woodruff 9	X-43-1	9	Kit, retainer (4) 9	41 755 10
3	Nut, jam 9	X-119-17	10	Valve, intake (2) 9	235008
4	Gear, camshaft 9	277012	11	Valve, exhaust (2) 9	237672
5	Retainer, valve spring (2) 9	230011	12	Spring, exhaust valve (2) 9	235168
6	Spring, valve (2) 9	235010	13	Rotator, exhaust valve (2) 9	230020
7	Retainer, valve spring (4) 9	235011			

THIS PAGE INTENTIONALLY LEFT BLANK.

SERIES 1401

GROUP 5 CARBURETOR (Variation 26 only)



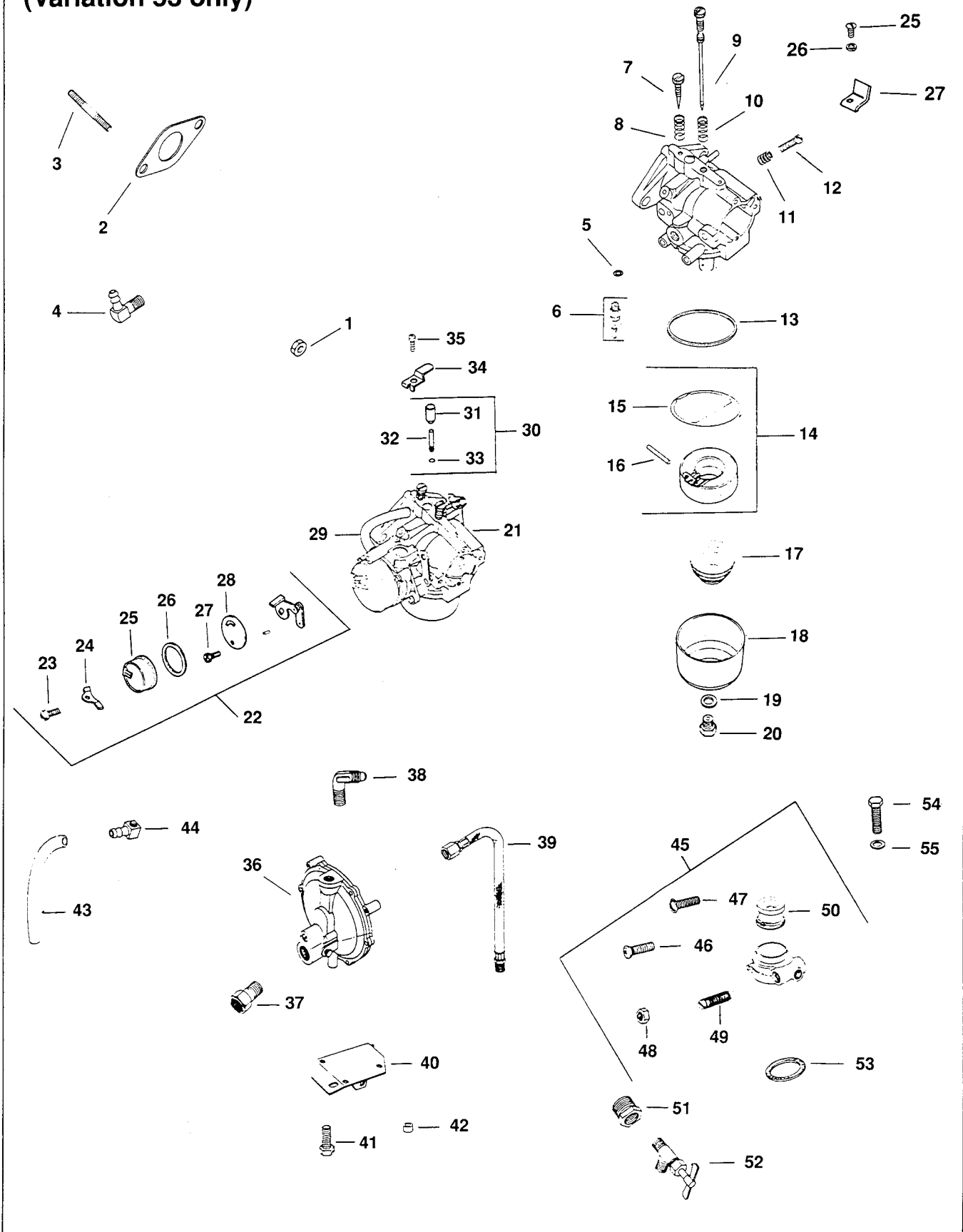
Index Number	Description Variation Number	Part Number	Index Number	Description Variation Number	Part Number
1	Connector, hose 26	X-391-4	17	Carburetor bowl 26	235448
2	Valve, gas shut-off 26	221282	18	Pin, float lever (2) 26	200376
3	Bushing, reducer (1/8 x 3/4) 26	X-202-7	19	Carburetor assembly 26	48 053 05
4	Valve, needle carburetor 26	270662	20	Bracket, choke 26	48 126 01
5	Body, carburetor adapter 26	270660	21	Body, ball joint 26	45 208 03
6	Venturi 26	270661	22	Screw, idle speed adjust 26	234945
7	Gasket, adapter 26	270550	23	Spring, idle (2) 26	200380
8	Adapter, carburetor assembly 26	A-236302	24	Spring, main fuel 26	200383
9	Bushing, reducer (3/8 x 1/2) 26	X-202-28	25	Needle, main fuel adjust 26	235415
10	Line, flex. fuel 26	235171	26	Needle, idle fuel adjusting 26	277210
11	Kit, choke repair 26	277469	27	Gasket, carburetor 26	271030
12	Kit, carburetor repair 26	221519	28	Screw, slotted (2) 26	47 086 04
13	Gasket, bowl 26	200375	29	Stud (2) 26	X-352-10
14	Gasket, bowl baffle 26	200439	30	Connector, hose 26	X-391-1
15	Kit, float 26	200408	31	Flex, fuel line 26	X-810-4
16	Screw, bowl retainer 26	47 100 06	32	Coupling, pipe 26	X-216-24

SERIES 1401

GROUP 5 CARBURETOR (Variation 26 only)

Index Number	Description Variation Number	Part Number	Index Number	Description Variation Number	Part Number
33	Nipple, pipe 26	X-217-6	37	Spacer (1/2) 26	265372
34	Valve, shut-off 26	X-591-3	38	Regulator, gas 26	B-230695
35	Line, flex. fuel 26	X-386-18	39	Bracket, gas regulator 26	277454
36	Elbow, regulator 26	X-447-5	40	Valve, gas 26	244621
37	Spacer (1/4) 26	X-400-31	41	Nipple, pipe 26	X-206-9

GROUP 5 CARBURETOR (Variation 53 only)



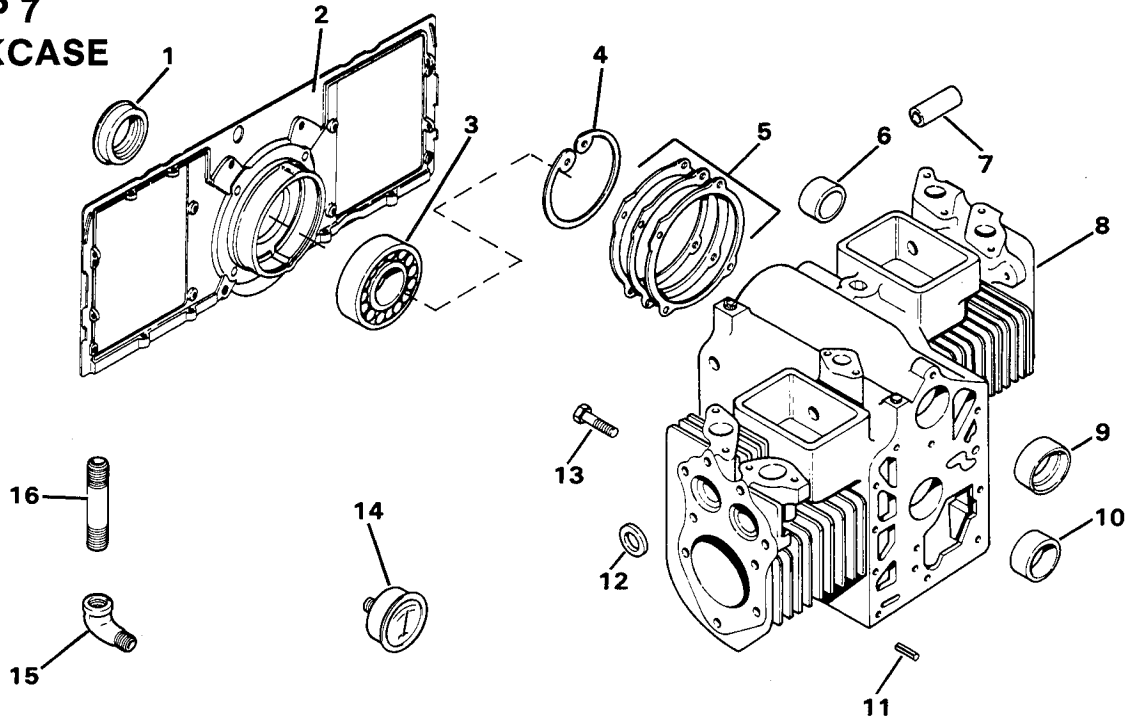
GROUP 5 CARBURETOR (Variation 53 only)

Index Number	Description Variation No.	Part Number	Index Number	Description Variation No.	Part Number
1	Nut, hex 5/16"-24 (2) 53	X-82-5	30	Kit, solenoid 53	25 755 05
2	Gasket, Carburetor 53	271030	31	Solenoid 53	41 435 09
3	Stud (2) 53	X-352-10	32	Plunge, solenoid 53	41 385 01
4	Connector, hose 90° 53	25-155-02	33	Ring, "O" 53	41 153 02
5	Gasket, needle seat 53	277180	34	Bracket, solenoid 53	45 126 12
6	Needle and Seat (Available only in carburetor repair kit 25 757 02) 53	X	35	Screw, 1/4-20x1/2" 53	X-133-2
7	Screw, idle fuel adjusting 53	235006	36	Regulator Assembly (Includes 38, 41, 42) 53	B-230695
8	Spring, idle fuel adjusting needle 53	200380	37	Filter 53	151377
9	Needle, hi-speed adjusting 53	52 103 02	38	Elbow, street 53	X-447-5
10	Spring, hi-speed adjusting needle 53	200383	39	Line, flex-fuel 53	235171
11	Screw, idle speed adjusting 53	232556	40	Spacer 53	X-400-31
12	Spring, idle speed adjusting screw 53	200380	41	Screw, H.C. 1/4-20x5/8" (2) 53	X-132-5
13	Gasket, bowl 53	200375	42	Bracket, regulator 53	277454
14	Float repair kit (Includes 15) 53	25 757 03	43	Hose 53	25 353 13
15	Gasket, bowl baffle 53	25 041 02	44	Connector, hose 90° 53	X-391-4
16	Pin, float hinge 53	200376	45	Adapter assembly, carburetor (Includes 46-50) 53	A-236302
17	Spring, float support 53	237917*	46	Screw, R.H.M. 10-32X3/4" 53	X-50-6
18	Bowl 53	235448	47	Screw, F.H. oval 1/4-20x1-1/4" 53	X-52-20
19	Gasket, bowl nut 53	200372	48	Nut, jam 3/4"-20 53	X-89-14
20	Nut, bowl 53	47 100 06	49	Valve, needle 53	270662
21	Carburetor, assembly (Includes items 4-20, 22-34) 53	48 053 33	50	Venturi 53	270661
22	Kit, choke repair (2) 53	277469	51	Bushing, reducer 3/8x1/2" 53	X-202-28
23	Screw, F.H.M. 8-32x1/4" (3) 53	X-14-6	52	Valve, gas 53	221282
24	Retainer, choke housing (3) 53	277275	53	Gasket, adapter 53	270550
25	Housing, coil-choke 53	277291	54	Screw, H.C. 1/4-20x1" (2) 53	X-132-4
26	Gasket, choke housing 53	277281	55	Washer 1/4" 53	X-25-63
27	Screw, binding hd. 6-32x1/4" 53	X-170-2	Not Shown:		
28	Plate, baffle 53	277297		Terminal, solenoid 53	25 452 03
29	Line, vacuum 53	25 353 12		Terminal, solenoid 53	25 452 07
				Lead, black, solenoid 53	41 518 18

* Order part according to design on engine.
X Not available separately.

NOTE: See variation 26 for shut-off valve and hardware.

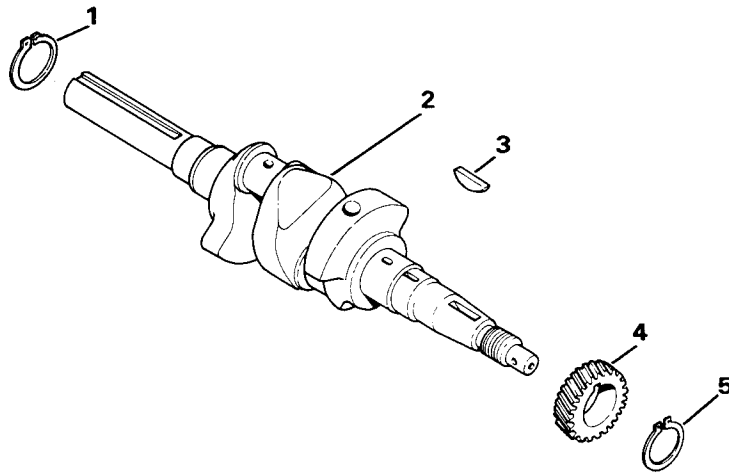
GROUP 7 CRANKCASE



Index Number	Description Variation No.	Part Number	Index Number	Description Variation No.	Part Number
1	Seal, rear oil 59	277065	9	Bearing, main 59	48 030 03
2	Plate, rear closure 59	48 009 01		Bearing, main .010 (U.S.) 59	48 030 04
3	Bearing, ball 59	277062		Bearing, main .020 (U.S.) 59	48 030 05
4	Ring, retaining 59	X-269-31	10	Bushing 59	48 158 02
5	Gasket, closure plate 59	277087	11	Pin (2) 59	X-599-2
	Gasket, closure plate .005 59	277103	12	Insert, valve seat (2) 59	230265
	Gasket, closure plate .010 59	277115	13	Screw, H.C. (4) 59	270956
6	Bushing 59	277039	14	Oil pressure gauge 59	240981
7	Guide, valve (4) 59	235007-S	15	Elbow 59	X-274-8
8	Crankcase 59	48 002 08	16	Nipple 59	47 136 02

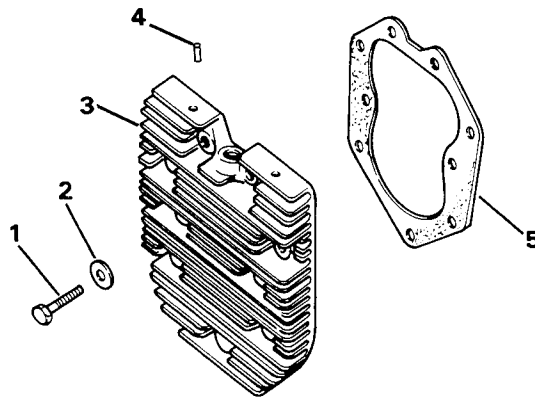
SERIES 1401

GROUP 8 CRANKSHAFT



Index Number	Description Variation Number	Part Number	Index Number	Description Variation Number	Part Number
1	Ring, retaining 54	X-269-30	4	Gear, crankshaft 54	277009
2	Crankshaft 54	48 014 14	5	Ring, retaining 54	X-269-32
3	Key, woodruff 54	X-42-15			

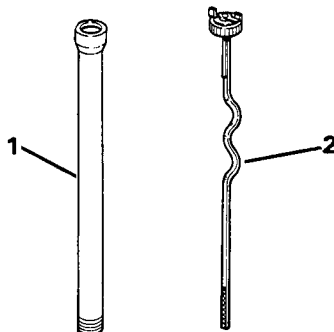
GROUP 9 CYLINDER HEAD



Index Number	Description Variation Number	Part Number	Index Number	Description Variation Number	Part Number
1	Screw, H.C. (17) 9	270158	4	Pin, roll (2) 9	X-280-13
	Screw, H.C. 9	272427	5	Gasket, cylinder head (2) 9	48 052 01
2	Washer (19) 9	270889			
3	Head, cylinder (2) 9	48 015 02			

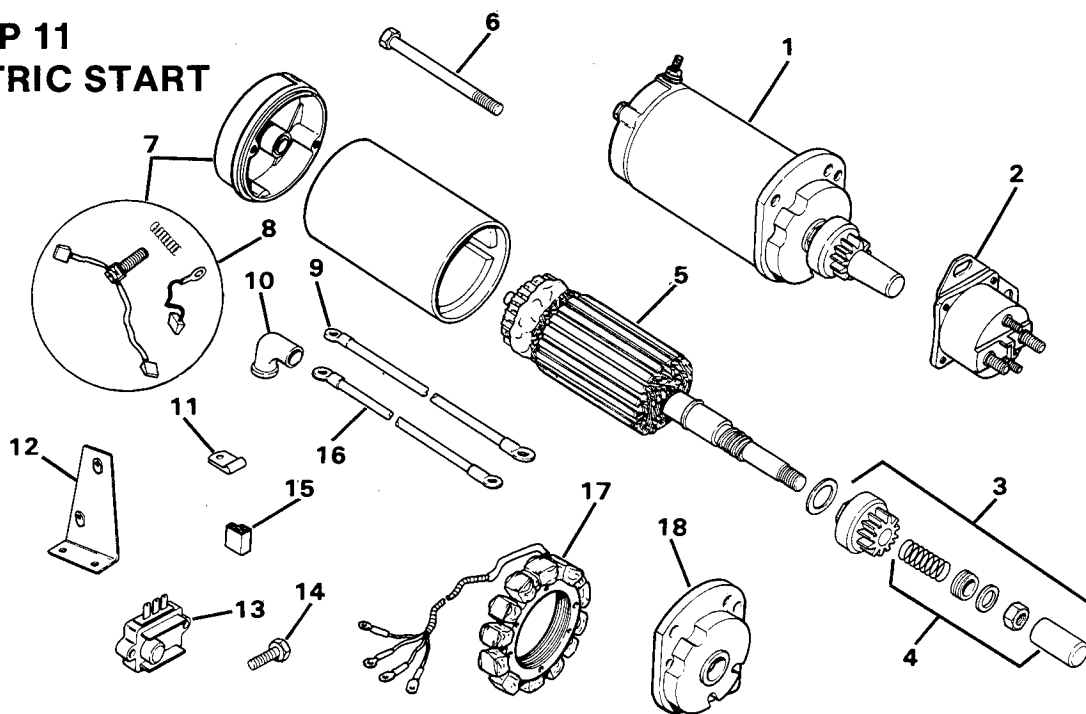
SERIES 1401

GROUP 10 DIPSTICK



Index Number	Description Variation Number	Part Number	Index Number	Description Variation Number	Part Number
1	Tube, dipstick 4	271829	2	Dipstick 4	277357

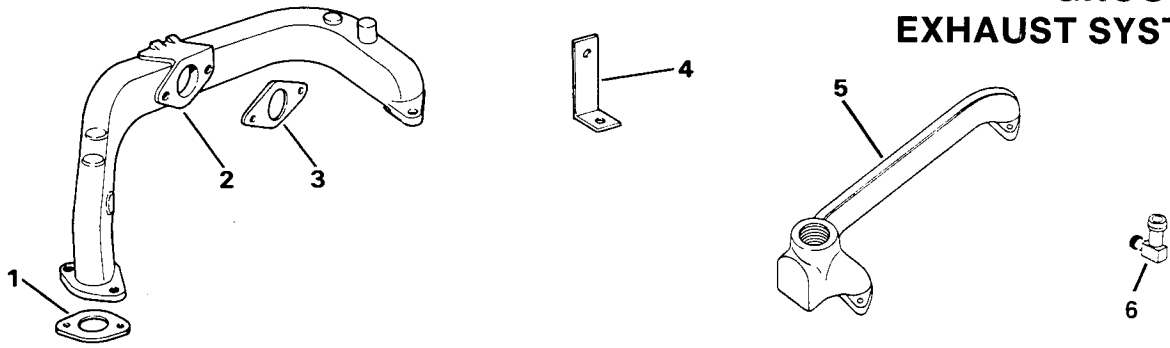
GROUP 11 ELECTRIC START



Index Number	Description Variation No.	Part Number	Index Number	Description Variation No.	Part Number
1	Starter Assembly (Includes items 3-8, 18) 21, 63	48 098 02	10	Boot (2) 21, 63	238915
2	Switch, relay 21, 63	248846	11	Clip, hi-tension (2) 63	270154
3	Kit, starter drive 21, 63	48 755 02	12	Bracket, regulator 63	277407
4	Kit, drive parts 21, 63	48 755 13	13	Regulator, rectifier 63 (see Group 18 also)	41 403 06
5	Armature 21, 63	277605	14	Screw, sems (4) 63	X-778-1
6	Bolt, thru (2) 21, 63	48 211 01	14	Screw, sems w/washer (3) 21	X-154-1
7	Kit, commutator cap 21, 63	48 227 04	15	Connector 63	237429
8	Kit, brush and spring 21, 63	48 755 15	16	Cable, battery (red) 21, 63	X-545-29
9	Cable, battery 21, 63	X-545-61	17	Kit, stator 63 (see Group 18 also)	47 085 01
9	Cable, battery 21, 63	X-545-62	18	Cap, drive end 63	48 227 03
			19	Harness, engine wiring (not shown) 21, 63	277953

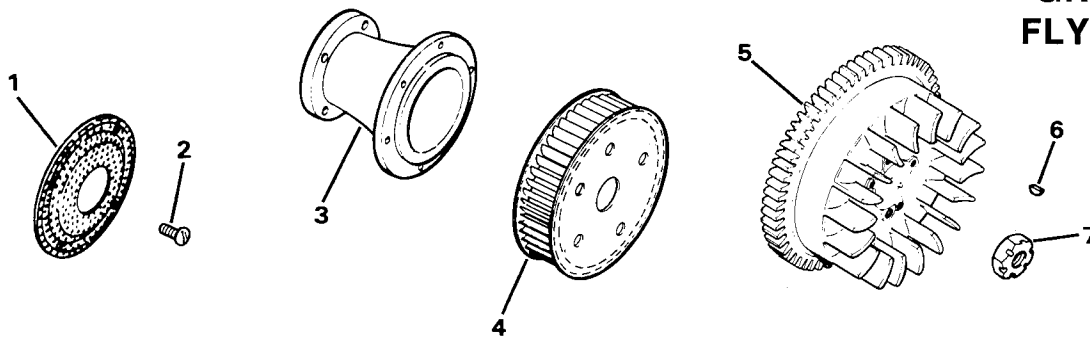
SERIES 1401

GROUP 12 EXHAUST SYSTEM



Index Number	Description Variation No.	Part Number	Index Number	Description Variation No.	Part Number
1	Gasket, exhaust manifold (2) 68, 78	277091	4	Strap, hanging (2) 68	47 445 01
2	Manifold, intake 68	48 164 07		Strap, hanging (2) 78	47 445 02
	Manifold, intake 78	48 164 13	5	Manifold, exhaust 68, 78	48 164 08
3	Gasket, intake manifold (2) 68, 78	48 052 02	6	Connector 78	25 155 02

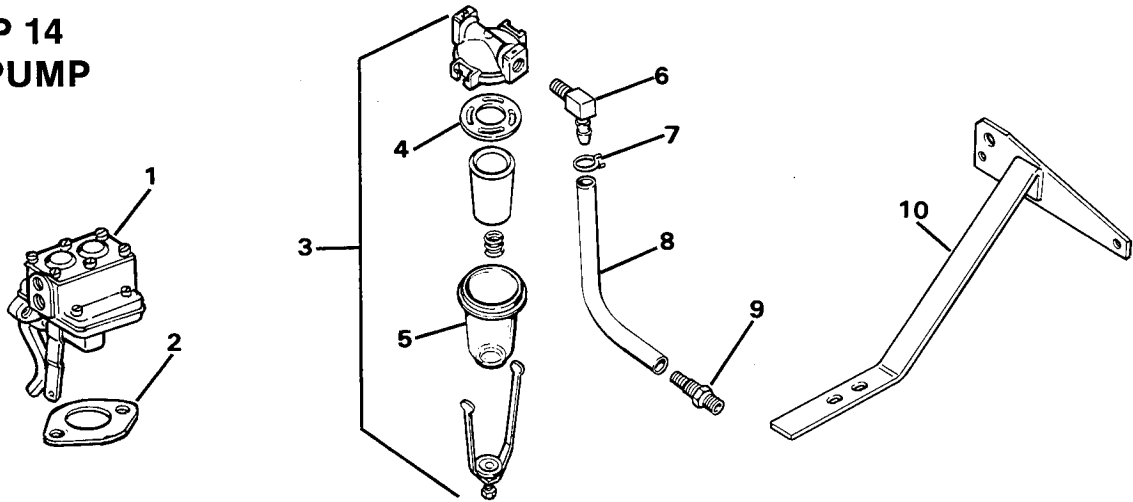
GROUP 13 FLYWHEEL



Index Number	Description Variation Number	Part Number	Index Number	Description Variation Number	Part Number
1	Screen, grass 54	48 162 01	5	Flywheel 54	48 025 14
2	Screw, head (nylon) (4) 54	47 086 05		Flywheel 74	48 025 20
3	Support, rotor 74	48 161 03	6	Key, woodruff 54, 74	X-45-3
4	Rotor 74	48 414 01	7	Nut, lock 54, 74	277595

SERIES 1401

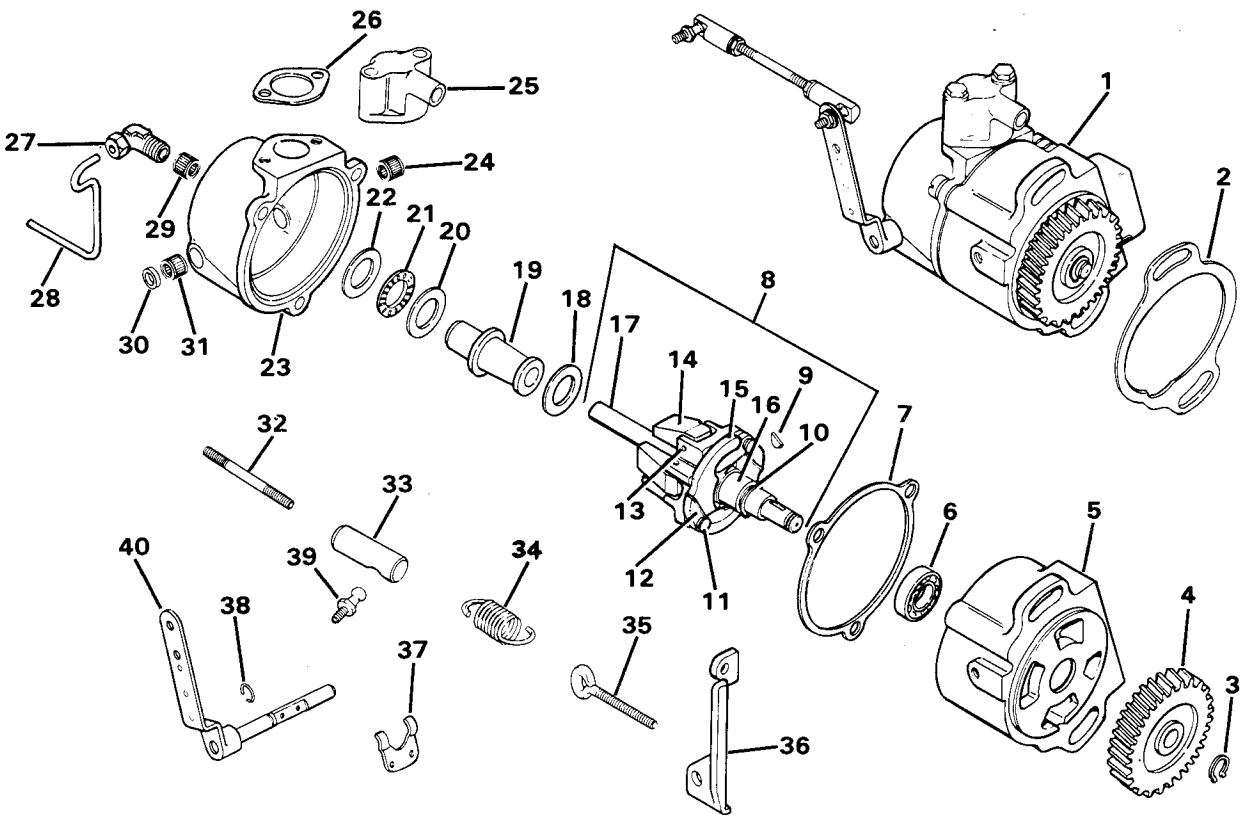
GROUP 14 FUEL PUMP



Index Number	Description Variation Number	Part Number	Index Number	Description Variation Number	Part Number
1	Pump, fuel 10	A-277539	7	Clamp, hose (2) 10	X-426-9
2	Gasket, fuel pump 10	277649	8	Flex, fuel line (5-1/2") 10	X-810-1
3	Filter, fuel assembly 10	A-201073		Flex, fuel line (13-1/2") 10	X-810-5
4	Gasket, fuel bowl 10	270690	9	Nipple 10	277483
5	Bowl, filter 10	270691	10	Bracket, fuel filter 10	48 126 12
6	Connector, hose (2) 10	X-391-1			

THIS PAGE INTENTIONALLY LEFT BLANK.

GROUP 17 GOVERNOR
(Variation 16 only)

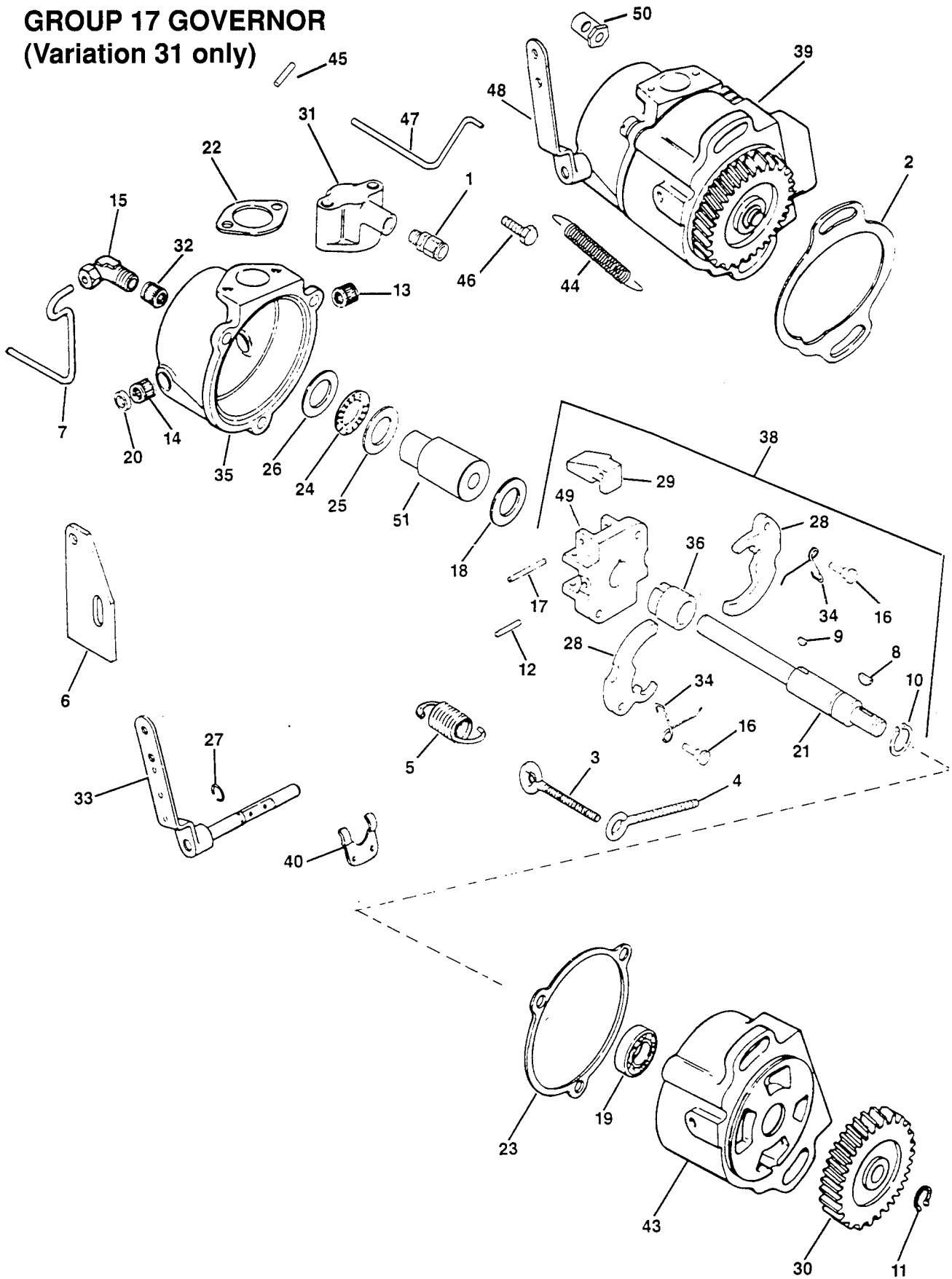


SERIES 1401

GROUP 17 GOVERNOR (Variation 16 only)

Index Number	Description Variation Number	Part Number	Index Number	Description Variation Number	Part Number
1	Governor Kit 16	48 310 28	21	Bearing, roller thrust 16	277100
	Plug, hex 1/8" N.P.T.F. (not shown) 16	X-75-23	22	Race, thrust bearing 16	277102
2	Gasket, governor housing 16	277078	23	Governor, cover 16	48 096 05
3	Ring, retaining 16	X-269-15	24	Bearing, needle 16	X-293-2
4	Governor, gear 16	277561	25	Breather, housing 16	A-277905
5	Housing, governor 16	48 081 02	26	Gasket, breather 16	277073
6	Bearing, ball 16	240202	27	Elbow, tube 16	X-324-7
7	Gasket, governor cover 16	277099	28	Line, oil 16	48 353 05
8	Shaft, governor assembly 16	48 420 08	29	Needle, bearing 16	48 030 02
9	Key, woodruff 16	X-42-8	30	Seal, oil 16	275055
10	Ring, retaining 16	X-269-4	31	Bearing, needle 16	X-293-3
11	Pin, flyweight pivot 16	230080	32	Rod, throttle 16	271151
12	Spring, spark (2) 16	48 089 01	33	Body, ball joint 16	45 208 03
13	Pin, roll 16	230134	34	Spring, governor 16	48 091 01
14	Weight, governor (4) 16	277117	35	Screw, governor adjusting (2) 16	277333
15	Flyweight, spark advance (2) 16	277114	36	Arm, governor control 16	277332
16	Breaker, cam 16	48 149 04	37	Yoke, governor 16	48 471 02
17	Shaft, governor assembly 16	277007	38	Ring, retaining 16	277104
18	Shim 16	237022	39	Screw, ball 16	48 194 01
19	Kit, sleeve 16	48 755 01	40	Lever, governor 16	48 087 03
20	Race, thrust bearing 16	277101			

GROUP 17 GOVERNOR (Variation 31 only)



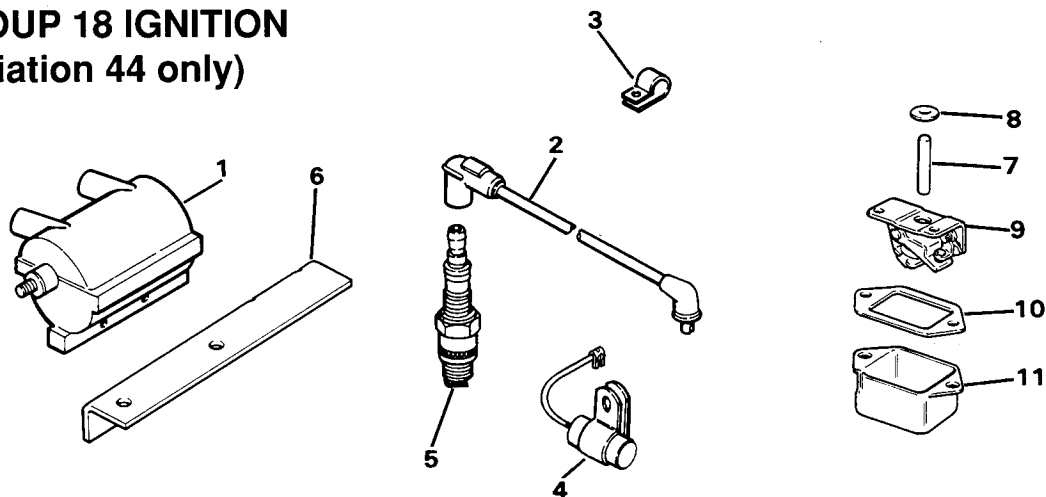
GROUP 17 GOVERNOR (Variation 31 only)

Index Number	Description Variation No.	Part Number	Index Number	Description Variation No.	Part Number
1	Union, 1/8x1/8" 31	X-343	27	Ring, retaining 31	277104
2	Gasket, governor housing 31	277078	28	Flyweight, spark advance (2) 31	277114*
3	Screw, adjusting 1/4-20 31	277333	29	Weight, governor (4) 31	277117 1
4	Screw, eye 31	48 086 13	30	Gear, governor 31	48043111
5	Spring, governor 31	48 091 01	31	Breather, housing 31	4803401
6	Bracket, control 31	48 126 18		Valve, breather (not shown) 31	277018
7	Line, oil 31	48 353 05	32	Bearing, needle 31	48 030 02
8	Key, woodruff 3/32x3/8 31	X-42-2	33	Governor Lever 31	48 090 13
9	Key, woodruff 1/16x1/4 31	X-42-8*	34	Spring, spark (2) 31	48 089 01*
10	Ring, retaining 31	X-269-4*	35	Cover, governor 31	48 096 05
11	Ring, retaining 31	X-269-15*	36	Cam, breaker 31	48 149 04*
12	Pin, roll 3/32x3/4 (2) 31	X-280-8*	38	Governor Shaft Assembly 31	48 420 08
13	Bearing, needle 31	X-293-2	39	Governor Kit 31	43 979 31
14	Bearing, needle 31	X-292-3	40	Yoke, governor 31	48 471 02
15	Elbow, tube 1/8x1/8 31	X-324-7	43	Housing, governor 31	48 081 02
16	Pin, flyweight pivot (2) 31	230080*	44	Spring, linkage 31	230117
17	Pin, roll (4) 31	230134*	45	Pin, roll 31	25 380 02
18	Shim 31	237022	46	Screw, hex head #8 31	41 086 20
19	Bearing, ball 31	240202	47	Linkage, governor 31	48 079 01
20	Seal, oil 31	275055	48	Governor Lever Assembly (Includes lever and crossshaft) 31	48 090 14
21	Shaft, governor 31	277007*	49	Carrier 31	48 230 02
22	Gasket, breather 31	277073	50	Swivel, clamp 31	48 237 03
23	Gasket, governor cover 31	277099	51	Sleeve, governor 31	48 431 04
24	Bearing, roller thrust 31	277100			
25	Race, thrust bearing 31	277101			
26	Race, thrust bearing 31	277102			

* Included in item 38, Governor Shaft Assembly

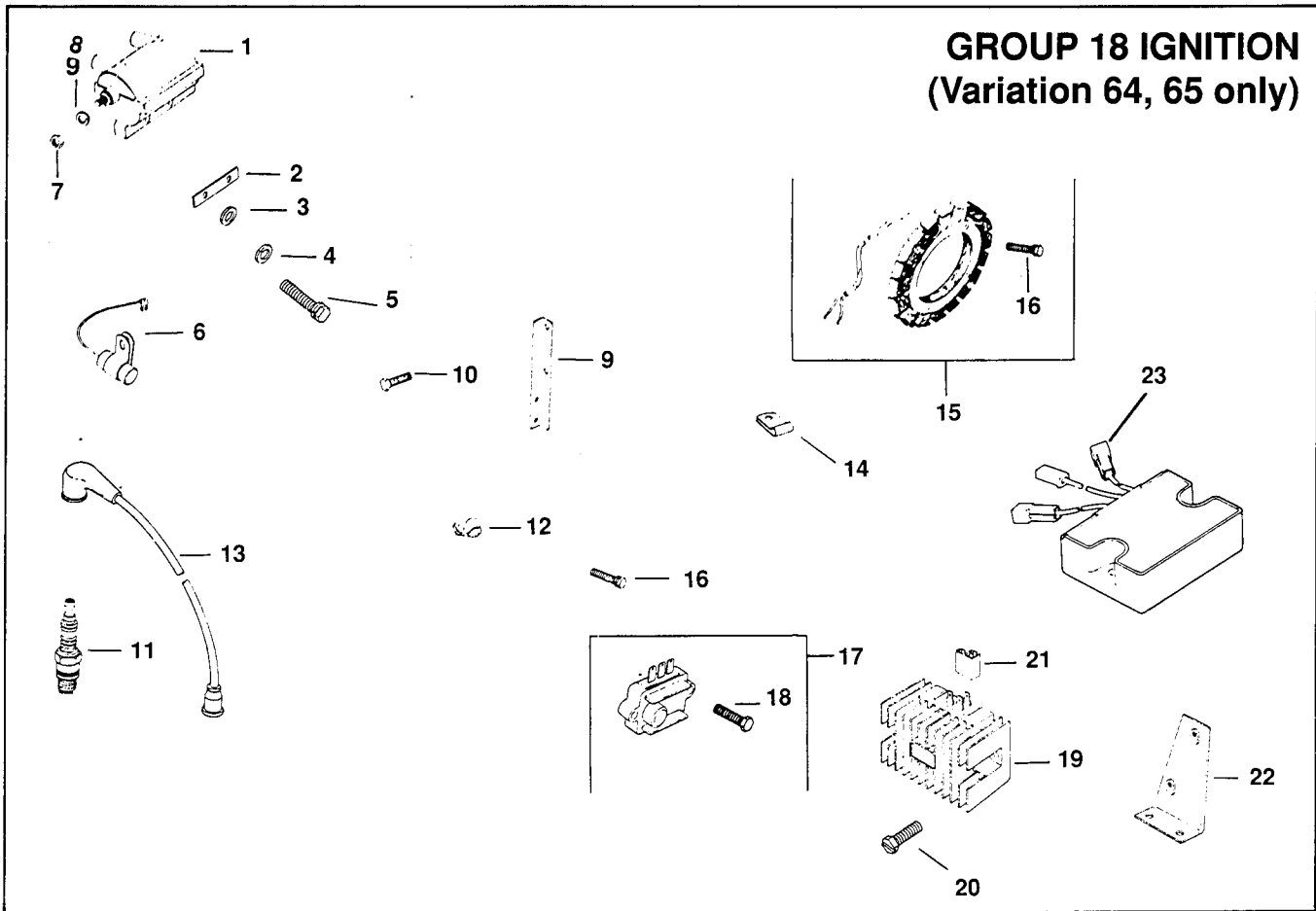
SERIES 1401

GROUP 18 IGNITION (Variation 44 only)



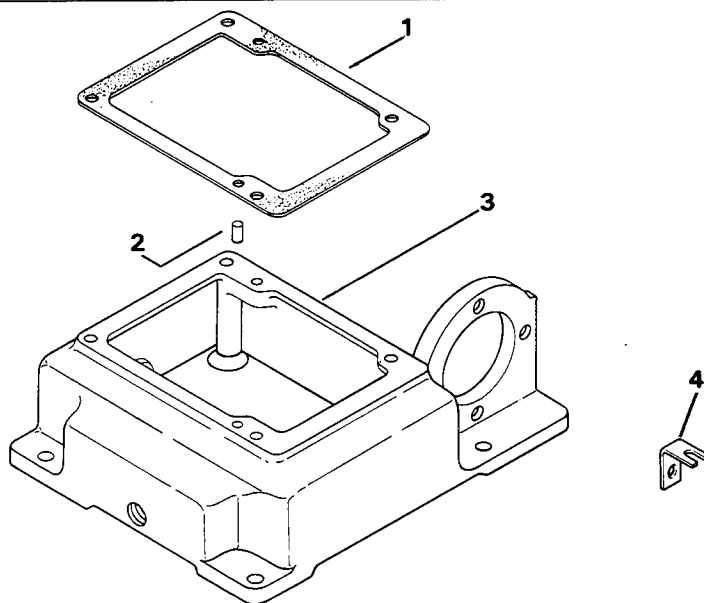
Index Number	Description Variation Number	Part Number	Index Number	Description Variation Number	Part Number
1	Coil, ignition 44	277375	6	Bracket, coil 44	48 088 02
2	Lead, hi-tension 44	48 348 02	7	Rod, breaker push 44	41 411 01
	Lead, hi-tension 44	48 348 04	8	Diaphragm, breaker seal 44	220074
3	Clip, magneto cable (2) 44	210281	9	Breaker (points) 44	48 150 03
4	Condenser 44	230722	10	Gasket, breaker cover 44	52 041 11
5	Plug, spark (2) 44	235041-S	11	Cover, breaker 44	232535

GROUP 18 IGNITION (Variation 64, 65 only)



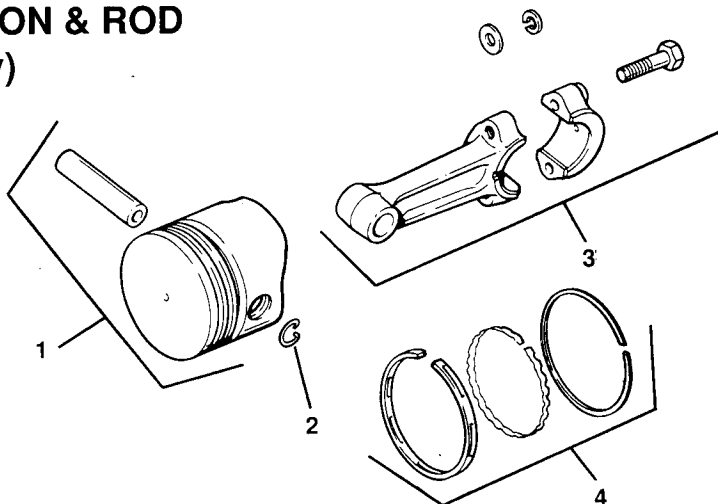
Index Number	Description Variation No.	Part Number	Index Number	Description Variation No.	Part Number
1	Coil, ignition 64, 65	277375	14	Clip, hi-tension (2) 64, 65	270154
2	Mounting Plate, coil (2) 64, 65	271694	15	Kit, Stator (15 amp.) (Includes item 16, 24) 64, 65	237878
3	Washer, plain 1/4" 64, 65	X-25-63	16	Screw, hex hd. 10-24x3/4" (4) 64, 65	X-67-51
4	Washer, lock 1/4" (2) 65	X-20-1	17	Kit, regulator-rectifier (15 amp.) (Includes 18) 65	25 755 03
	Washer, lock 1/4" 64	X-20-1	18	Screw, sems hex hd. 1/4-20x5/8" (2) 64, 65	X-132-5
	Washer, star 1/4" 64, 65	X-22-11	19	Regulator-rectifier (15 amp.) 64	41 403 06
5	Screw, H.C. 1/4-20x1-1/2" (2) 64, 65	X-5-26		Regulator-rectifier (15 amp.) (Use before serial no. 15108954) 65	41 403 06
6	Condenser 64, 65	230722	20	Screw, sems H.C. 1/4-20X1/2" (2) 64	X-132-6
7	Nut, hex 10-32 (2) 64, 65	X-70-3	21	Connector, body 64	237429
8	Washer, lock #10 (2) 64, 65	X-19-1		Connector, body 65	237429
9	Bracket, coil 64, 65	48 088 02	22	Bracket, regulator 64	277407
10	Screw, H.C. 5/16-18x1" (2) 64, 65	X-154-5	23	Connector, body (Use after serial no. 15108953) 65	236602
11	Spark Plug (2) 64, 65	235041-S	24	Not Shown: Terminal (2) 64, 65	25 452 01
12	Clip, magneto cable (2) 64, 65	210281		Lead, black, ground 64, 65	48 518 26
13	Lead, hi-tension 64, 65	48 348 02			
	Lead, hi-tension 64, 65	48 398 04			

GROUP 21 OIL PAN



Index Number	Description Variation Number	Part Number	Index Number	Description Variation Number	Part Number
1	Gasket, oil pan 5	277014	3	Kit, oil pan 5	48 755 17
2	Pin, dowel (2) 5	230125-S	4	Bracket, starter support 5	48 126 08

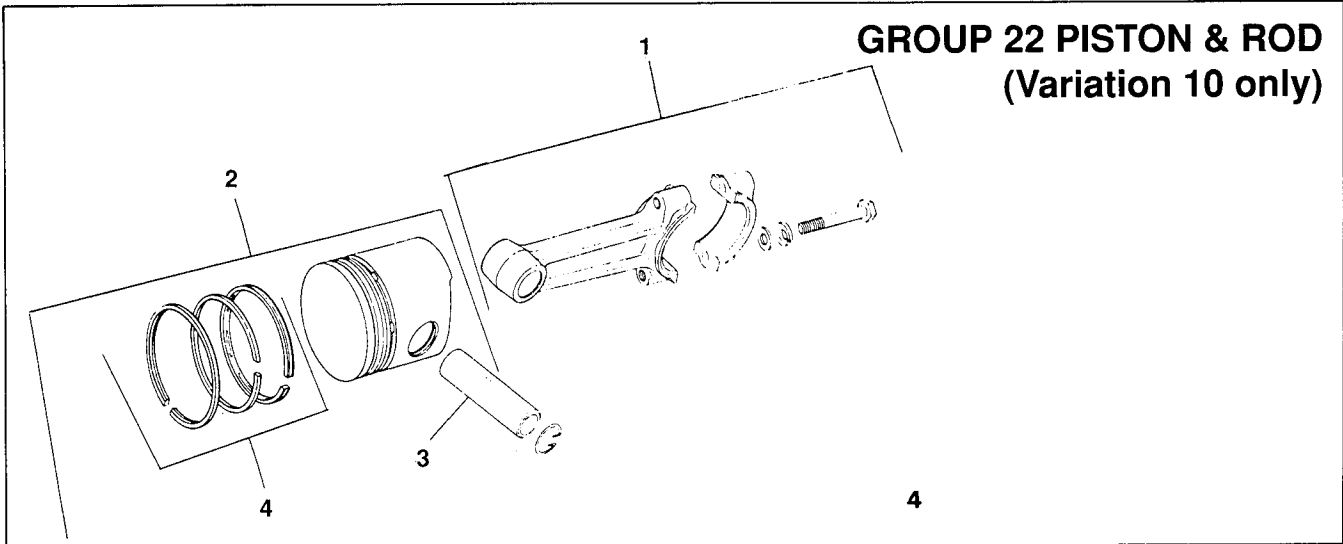
GROUP 22 PISTON & ROD (Variation 7 only)



Index Number	Description Variation Number	Part Number	Index Number	Description Variation Number	Part Number
1	Piston assembly (Std.) (2) (Includes pin and retainers) 7	48 074 26	2	Retainer (4) 7	47 018 01
	Piston assembly (.003) (Includes pin and retainers)	48 074 27	3	Rod, connecting assembly (Std.) (2) 7	48 067 12
	Piston assembly (.010) (Includes pin and retainers)	48 074 28		Rod, connecting (.010) (2) 7	48 067 13
	Piston assembly (.020) (Includes pin and retainers)	48 074 29	4	Ring set (Std. and .003) (2) 7	48 108 05
	Piston assembly (.030) (Includes pin and retainers)	48 074 30		Ring set (.010)	48 108 06
				Ring set (.020)	48 108 07
				Ring set (.030)	48 108 08

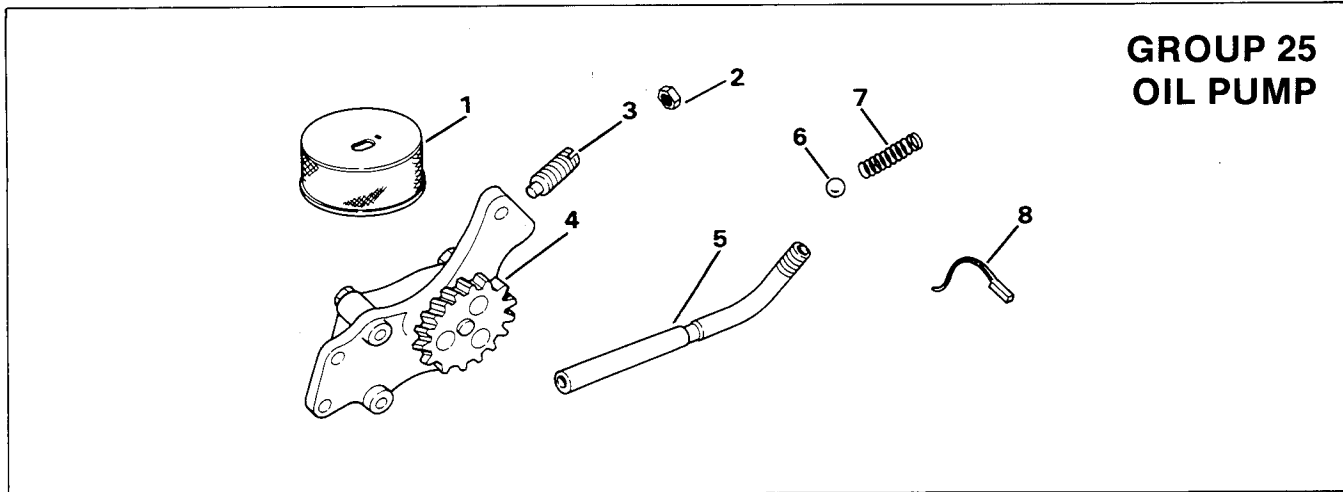
SERIES 1401

GROUP 22 PISTON & ROD (Variation 10 only)



Item	Qty.	Description Variation No.	Part No.	Item	Qty.	Description Variation No.	Part No.
1	2	Connecting Rod (Std.) 10	48 067 16	3	4	Retainer, piston pin 10	47 018 01
	2	Connecting Rod (.010)	48 067 17	4	2	Ring Set (Std. & .003) 10	47 108 05
2	2	Piston w/Ring Set (Std.) 10	47 874 21	2	2	Ring Set (.010)	47 108 06
	2	Piston w/Ring Set (.003)	47 874 21	2	2	Ring Set (.020)	47 108 07
	2	Piston w/Ring Set (.010)	47 874 23	2	2	Ring Set (.030)	47 108 08
	2	Piston w/Ring Set (.020)	47 874 24				
	2	Piston w/Ring Set (.030)	47 874 25				

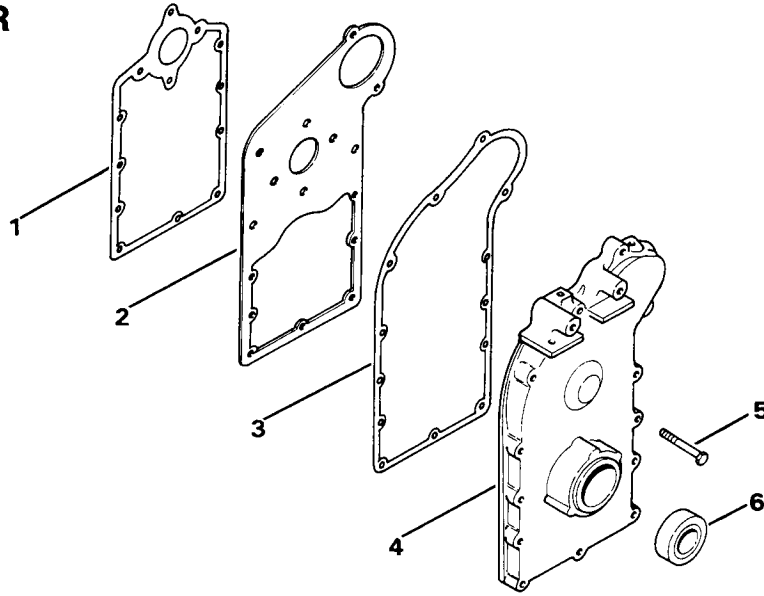
GROUP 25 OIL PUMP



Index Number	Description Variation Number	Part Number	Index Number	Description Variation Number	Part Number
1	Strainer, oil 3	277202	5	Tube, oil inlet 3	277201
2	Pin, nut 3	X-629-1	6	Ball, steel 3	X-212-3
3	Screw, set 3	277694	7	Spring, relief 3	48 089 03
4	Pump, oil 3	48 393 20	8	Clip, oil tube 3	270085

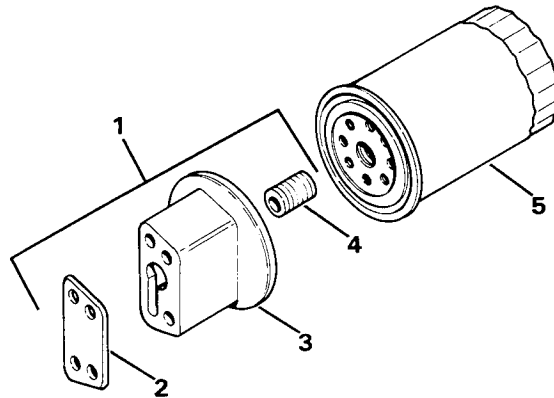
SERIES 1401

GROUP 26 GEAR COVER



Index Number	Description Variation Number	Part Number	Index Number	Description Variation Number	Part Number
1	Gasket, gear cover plate 9, 12	277022	4	Cover, gear 9, 12	277493
2	Plate, gear cover 9, 12	277021	5	Screw, H.C. (2) 9, 12	277086
3	Gasket, gear cover 9, 12	277020	6	Seal, front oil 9,12	52 032 08

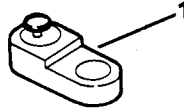
GROUP 29 OIL FILTER



Index Number	Description Variation Number	Part Number	Index Number	Description Variation Number	Part Number
1	Adapter assembly 8	48 180 03	4	Nipple 8	277234
2	Gasket 8	48 041 03	5	Filter 8	277233
3	Adapter, oil filter 8	48 029 02			

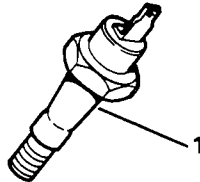
SERIES 1401

GROUP 31 HIGH TEMPERATURE CUTOUT



Index Number	Description Variation Number	Part Number	Index Number	Description Variation Number	Part Number
1	Switch, cutout 1	230989			

GROUP 32 OIL PRESSURE CUTOUT



Index Number	Description Variation Number	Part Number	Index Number	Description Variation Number	Part Number
1	Switch 10	271662			

GROUP 39 GASKET SETS

Description Variation Number	Part Number	Description Variation Number	Part Number
Gasket Set (Without seals) 1	48 004 01	Gasket Set (Includes seals) 1	48 755 03
Gasket, breaker cover	52 041 11	Seal, front oil	52 032 08
Gasket, valve cover (2)	270034	Gasket, breaker cover	52 041 11
Gasket, carburetor	271030	Gasket, valve cover (2)	270034
Gasket, oil pan	277014	Gasket, carburetor	271030
Gasket, gear cover	277020	Gasket, oil pan	277014
Gasket, air cleaner elbow	277069	Gasket, gear cover	277020
Gasket, gear cover plate	277022	Gasket, gear cover plate	277022
Gasket, breather	277073	Seal, rear oil	277065
Gasket, governor housing	277078	Gasket, air cleaner elbow	277069
Gasket, closure plate	277087	Gasket, breather	277073
Gasket, air cleaner	277093	Gasket, governor housing	277078
Gasket, manifold (2)	277091	Gasket, closure plate	277087
Gasket, governor	277099	Gasket, manifold (2)	277091
Gasket, closure plate .005 (3)	277103	Gasket, air cleaner	277093
Gasket, closure plate .010 (3)	277115	Gasket, governor	277099
Gasket, insulator	277649	Gasket, closure plate .005 (3)	277103
Gasket, manifold	277628	Gasket, closure pate .010 (3)	277115
Gasket, manifold	277629	Gasket, insulator	277649
Gasket, fuel pump	47 041 04	Gasket, manifold	277628
Gasket, oil filter (2)	48 041 03	Gasket, manifold (4)	277629
Gasket, cylinder head (2)	48 052 01	Gasket, fuel pump	47 041 04
Gasket, manifold (2)	48 052 02	Gasket, oil filter (2)	48 041 03
		Gasket, cylinder head (2)	48 052 01
		Gasket, manifold (2)	48 052 02

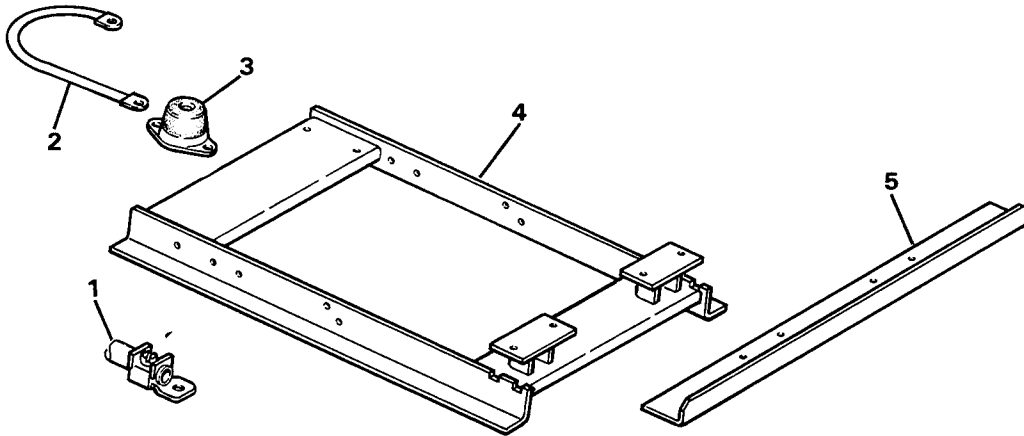
SERIES 1401

GROUP 107 NAMEPLATE and DECALS

Index Number	Description Variation Number	Part Number	Index Number	Description Variation Number	Part Number
1	Logo, Kohler (3) 19	X-6229-3	5	Decal, Ground 19	238575
2	Screw, Drive 2 x 3/16 (4) (nameplate) 19	X-67-5	6	Logo, Kohler (White) 19	241545
3	Decal, Air Cleaner 19	220811	7	Decal, Negative Battery Connection 19	241655
4	Decal, 1-800 Number 19	22423	8	Decal, "Hazardous Voltage" 19	258815

SERIES 1401

GROUP 109 SKID AND MOUNTING

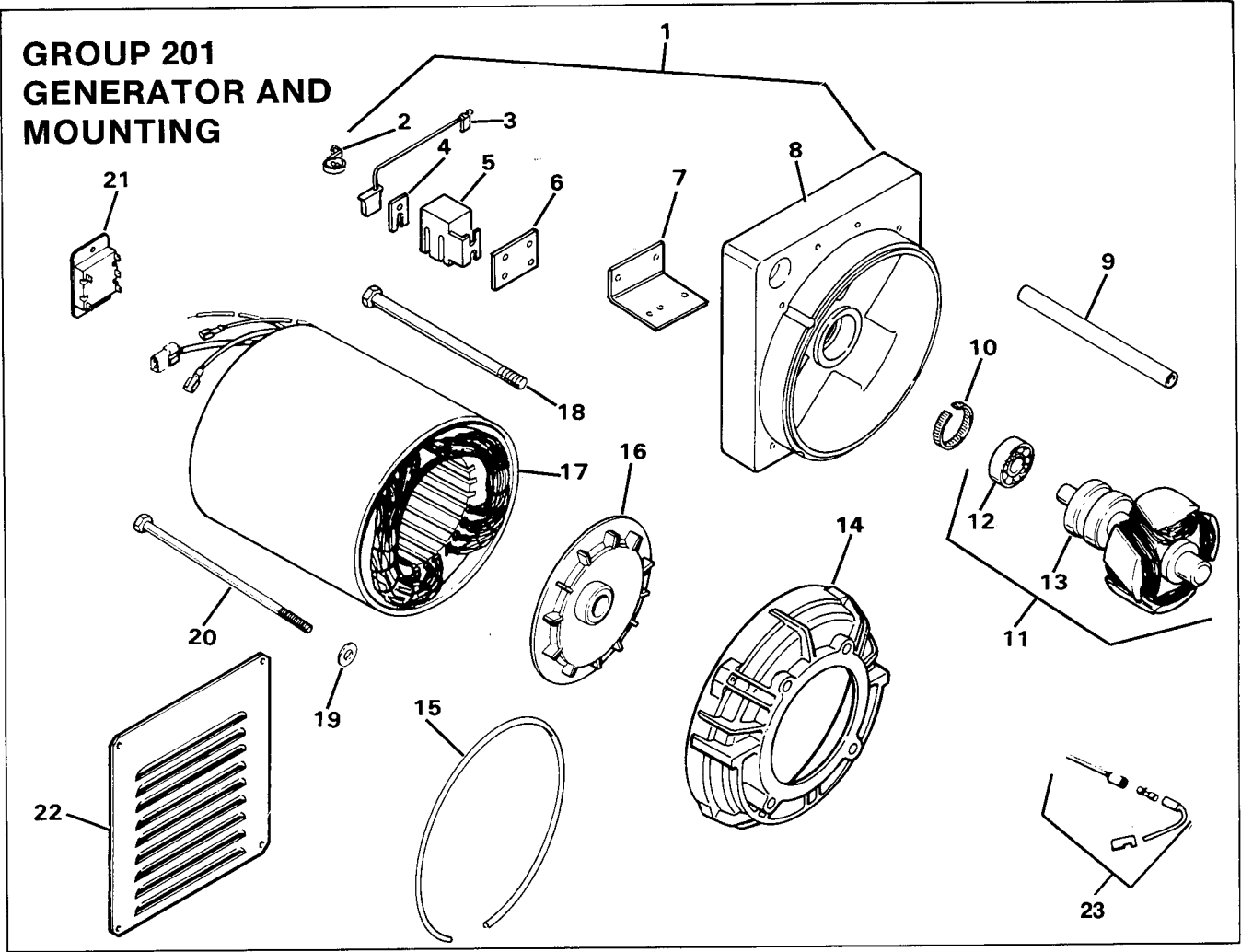


Oil drain parts (not shown)

Index Number	Description Variation Number	Part Number	Index Number	Description Variation Number	Part Number
1	Terminal, grounding 20, 21	X-377-11	6	Nipple, pipe 3/4" x 3-1/2" 20	X-206-6
2	Strap, ground 20, 21	248306		Nipple, pipe 21	X-206-9
3	Damper, vibration (4) 20, 21	244209	7	Elbow (2) 21	X-274-2
4	Skid 20, 21	277952	8	Coupling, pipe 3/4" x 1-5/8" 21	X-216-13
5	Support, housing 21	277961	9	Cap, pipe 3/4" 20	X-268-1
			10	Plug, oil drain 21	X-75-42

SERIES 1401

GROUP 201 GENERATOR AND MOUNTING



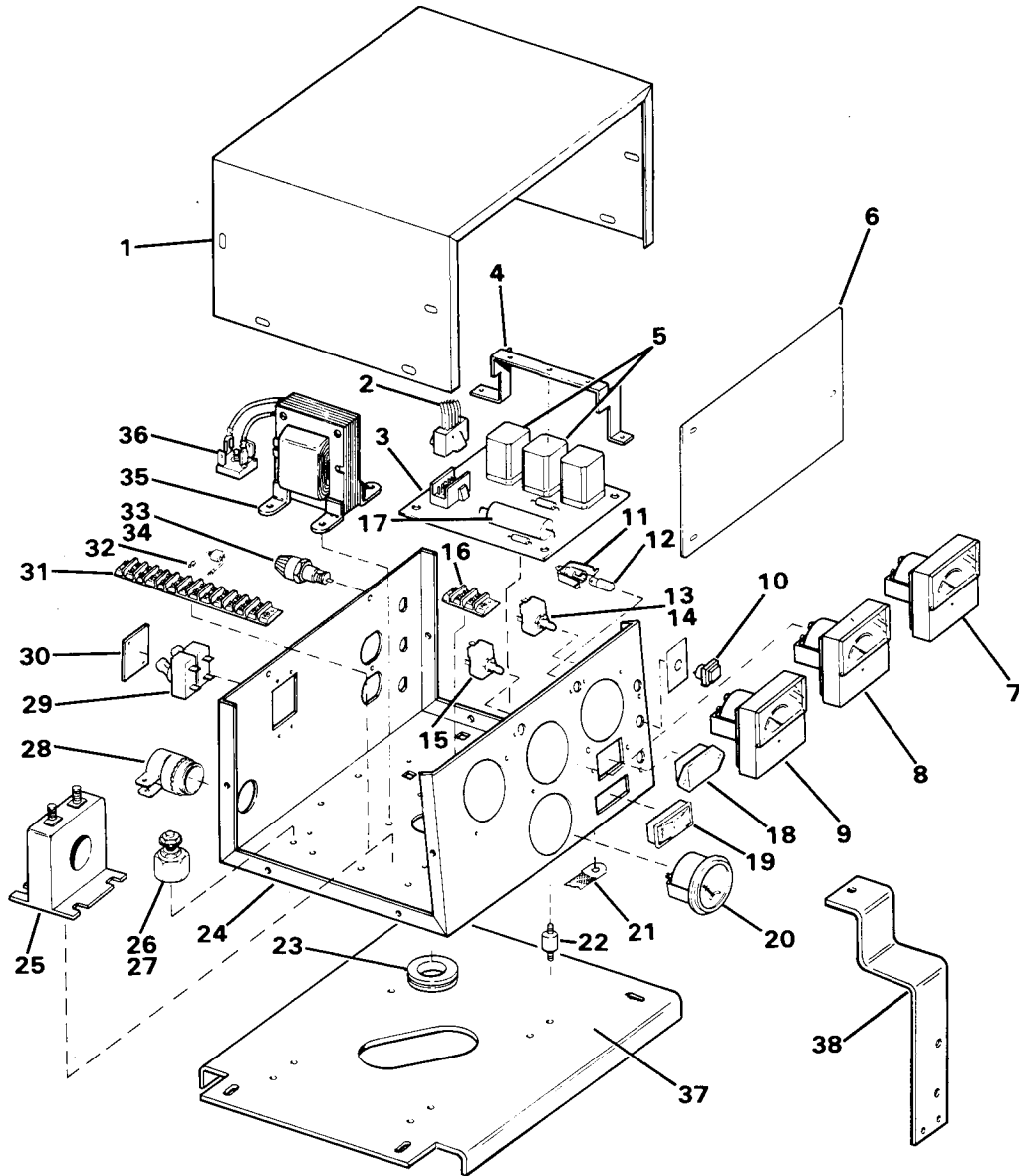
SERIES 1401

GROUP 201 GENERATOR AND MOUNTING (Continued)

Index Number	Description Variation Number	Part Number	Index Number	Description Variation Number	Part Number
1	Bracket, end assembly (Includes items 1 thru 8) 73, 74	A-277939	12	Bearing, ball 73, 74	X-758-1
	Bracket, end assembly (Includes items 1 thru 8, 21, 23)	A-278126		13	Ring, collector 73, 74
2	Spring (2) 73, 74, 79	238150	14		Adapter, generator 73, 74, 79
	3	Brush (2) 73, 74		238633	15
		Brush (2) 79	239282	16	
4	Shim 73, 74, 79	238248	17		Stator, 60 Hz 73
	5	Holder, brush 73, 74		269367	
		Holder, brush 79	239247		Stator Assembly 79
6	Bracket 73, 74	259275	18	Bolt, thru 73, 74, 79	242196
	Bracket 79	278943		19	Washer (4) 73, 74, 79
7	Bracket 73, 74	259457			Bushing (4) (not shown) 79
	8	Bracket, end 73, 74	277936	20	Bolt, over (4) 73, 74, 79
Bracket, end 79		278008	21		Regulator, voltage 73, 74
9	Conduit 73, 74	X-6003-13			79
	10	Ring, tolerance 73, 74	238211	22	Panel 73, 74
O-ring 79		256466			Panel 79
11	Rotor assembly (Includes items 12, 13, 15) 73, 74	C-238236	23	Fuse Holder Assembly 79	A-258406
	Rotor assembly 79	A-277983			(Includes the following) Holder, in-line fuse 79
				Fuse, 8 amp. 79	258405

SERIES 1401

GROUP 301 CONTROLLER & MOUNTING



SERIES 1401

GROUP 301 CONTROLLER & MOUNTING

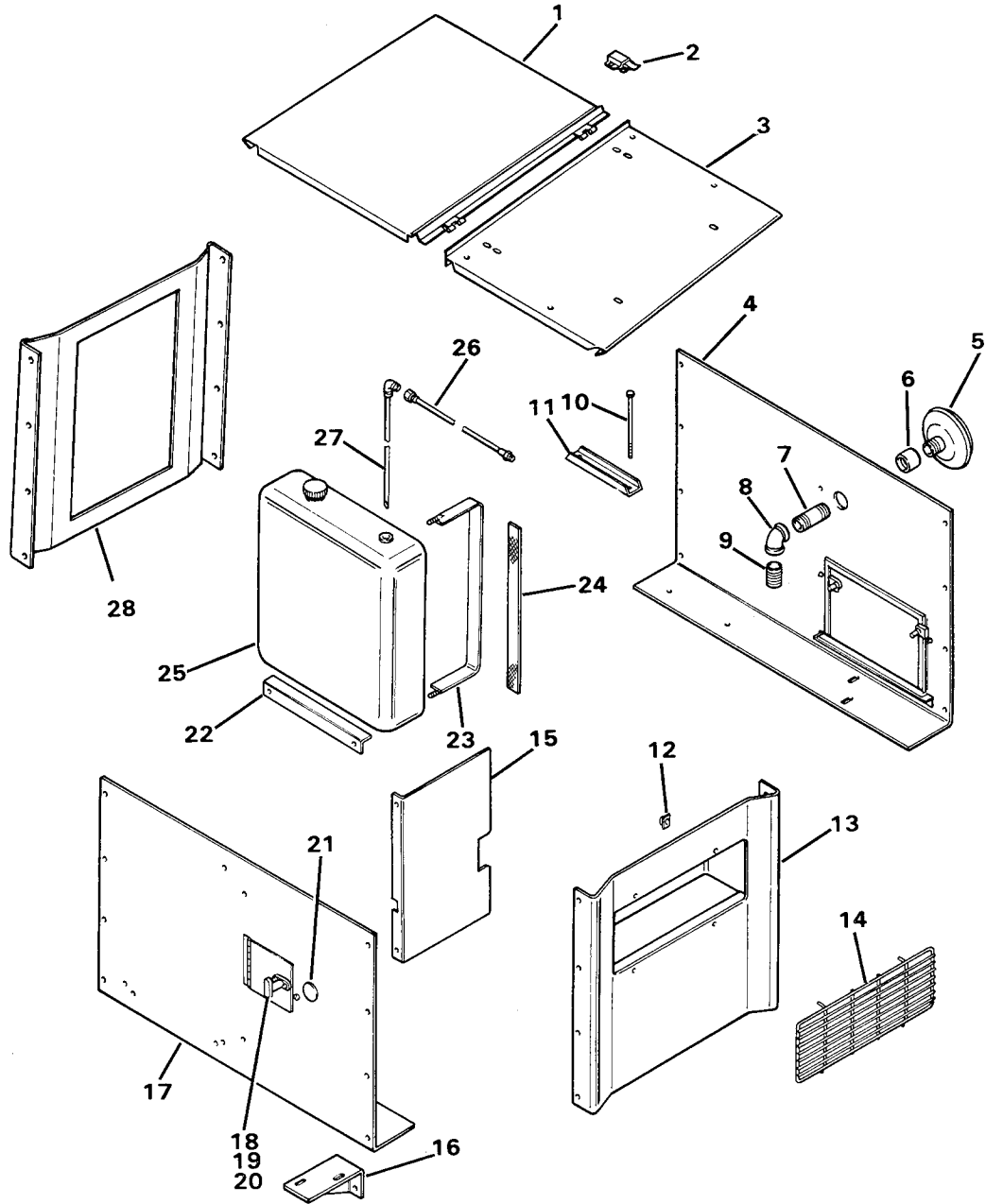
Index Number	Description Variation Number	Part Number	Index Number	Description Variation Number	Part Number
—	Controller assembly (early) 25	B-250502	23	Grommet 25, 30	X-284-2
—	Controller assembly 25, 30	A-278105	24	Box, controller 25, 30	250500
1	Cover, controller 25, 30	250501	25	Transformer (2)* 25	259793
2	Harness, wiring 25, 30	250597	26	Insulator (2) 25 30	237612 233269
3	Board, circuit (with relays) 25, 30	B-241883	27	Stud, brass (2) 25, 30	237612
4	Bracket, relay hold-down (early) 25	250511	28	Connector (early) 25	X-252-8
5	Relay (3) (early) 25	241736		Connector 25, 30	X-252-13
6	Plate, cover 25, 30	250510	29	Kit, circuit breaker (optional) 25	X-506-1
7	Ammeter, AC* 25	259790		Kit, circuit breaker (optional) 25	X-506-6
8	Voltmeter* 25	241734	30	Plate, cover 25, 30	245264
9	Meter, frequency* 25	241735	31	Strip, terminal 25, 30	246114
10	Lamp 25, 30	269373		Marker, strip 25, 30	250572
11	Socket, lamp (2) 25, 30	284990	32	Diode 25 30	241739 233959
12	Bulb, light (2) 25, 30	268310	33	Holder, fuse (2) 25, 30	238426
13	Switch, toggle* 25	238357	34	Fuse (2) 10 amp. 25, 30	223316
14	Ring, lock* 25	151511		Decal, 10 amp. fuse (2) 25, 30	X-6230-2
15	Switch, toggle* 25, 30	241911	35	Transformer 25, 30	241626
	Decal 25, 30	250585	36	Reclifier, bridge 25, 30	241610
16	Strip, terminal 25, 30	X-405-2	37	Bracket, controller 25, 30	277935
	Marker, strip 25, 30	250588	38	Bracket (2) 25, 30	277934
17	Relay, time delay (early) 25	241887	39	Decal 25, 30	250584
18	Meter, hour* 25	238736	40	Board, Circuit (field flashing) (not shown) 25, 30	A-256367
19	Ammeter* 25	245377	41	Shield, heat (2) (not shown) 25, 30	278103
20	Gauge, oil pressure* 25	269975	42	Shield, heat (not shown) 25, 30	278104
	Sender, oil pressure* (not shown) 25	264390		Spacer (2) .344 x .750 x .500 25, 30	X-400-104
21	Strap, ground 25, 30	230857			
22	Mount, vibro (4) 25, 30	259919			

*Items contained in A-10427 Meter Kit

Note: Effective 4/84, variation 25 uses controller assembly A-278125

SERIES 1401

GROUP 501 HOUSING AND MOUNTING



SERIES 1401

GROUP 501 HOUSING AND MOUNTING

Index Number	Description Variation Number	Part Number	Index Number	Description Variation Number	Part Number
1	Hood, rear 5, 6	288731	15	Baffle, housing (2) 5, 6	277959
2	Latch (2) 5, 6	244267	16	Support, housing (2) 5, 6	277960
3	Hood, front 5, 6	290417	17	Panel assembly 5, 6	277964
4	Panel assembly 5, 6	277963	18	Lock (3) 5, 6	288969
5	Muffler 5, 6	271167	19	Spacer, collar (3) 5, 6	288970
6	Coupling, pipe 5, 6	X-216-21	20	Lock, pad 5, 6	289873
7	Nipple, pipe 5, 6	X-205-7	21	Button, plug 5, 6	X-301-14
8	Elbow 5, 6	151771	22	Support, tank 5, 6	288727
9	Nipple, pipe 5, 6	151803	23	Strap, tank (2) 5, 6	288728
10	Bolt, over (2) 5 6	238911 239783	24	Webbing (2) 5, 6	244277
11	Bracket, hold-down 5 6	238725 239786	25	Tank, fuel 5, 6	274079
12	Nut, speed 5	X-602-1	26	Line, fuel 5, 6	265485
13	Panel, front 5, 6	290416	27	Line, suction 5, 6	274083
14	Grill, housing 5, 6	234109	28	Panel, rear 5, 6	290528

GROUP 601 ACCESSORIES

Qty.	Description	Part No.	Qty.	Description	Part No.
1	Battery Charger Assembly	PAC-292862	16	Screw, R.H.M. 6-32 x 1/4	X-49-25
1	Charger Assembly, battery (includes the following)	C-292862	4	Screw, R.H.M. 6-32 x 1/2	X-49-26
1	Circuit Board., 12V Charger Cont.	C-262377	3	Screw, Pan Head	X-49-39
2	Washer, Shakeproof #8	X-22-18	2	Screw, R.H.M. 6-32 x 3/4	X-49-6
3	Washer, Lock #6	X-22-25	2	Screw, R.H.M. 10-32 x 1/2	X-50-1
2	Terminal	X-283-1	2	Screw, R.H.M. 10-24 x 3/4	X-50-3
2	Terminal	X-283-11	1	Screw, Pan Head 10-32 x 1/2	X-50-68
3	Terminal	X-283-2	2	Screw, R.H.M. 8-32 x 3/4	X-51-11
8	Screw, R.H.M. 6-32 x 1/4	X-49-25	2	Screw, R.H.M. 8-32 x 1/2	X-51-15
4	Screw, R.H.M. 6-32 x 1/2	X-49-26	4	Screw, R.H.M. 1/4-20 x 3/4	X-51-30
3	Screw, Pan Head	X-49-39	1	Screw, R.H.M. 8-32 x 5/8	X-51-9
2	Screw, R.H.M. 6-32 x 3/4	X-49-6	2	Tulse, Heat Shrink	X-6081-3
2	Screw, R.H.M. 10-32 x 1/2	X-50-1	1	Nameplate, Battery Charger	233962
2	Screw, R.H.M. 10-24 x 3/4	X-50-3	1	Door, Silkscreen	233965
1	Screw, Pan Head 10-32 x 1/2	X-50-68	1	Decal, Connection	233966
2	Screw, R.H.M. 8-32 x 3/4	X-51-11	1	Fuse, 5 amp	239298
2	Screw, R.H.M. 8-32 x 1/2	X-51-15	1	Fuse, 25 amp	262389
4	Screw, R.H.M. 1/4-20 x 3/4	X-51-30	1	Transformer	262394
1	Screw, R.H.M. 8-32 x 5/8	X-51-9	1	Decal, Warning Connect	262397
2	Tube, Heat Shrink	X-6081-3	1	Box, Battery Charger	262398
1	Nameplate, Battery Charger	233961	1	Clip, Cable	262399
1	Door, Silkscreen	233965	2	Holder, Fuse	263156
1	Decal, Connection	233966	8	Spacer, PC Board	287948
1	Fuse, 5 amp	239298	1	Lamp	291208
1	Fuse, 25 amp	262389	1	Decal	292387
1	Transformer	262394	1	Sink, Heat	292938
1	Decal, Warning Connect	262397	1	Strip, Terminal	292940
1	Box, Battery Charger	262398	1	Ammeter, DC	292941
1	Clip, Cable	262399	1	Voltmeter, DC	292942
2	Holder, Fuse	263156	1	Module, SCR	292945
4	Spacer, PC Board	287948	1	Resistor, Power	292947
1	Lamp	291208	1	Fuse	292948
1	Decal	292387	1	Harness, Wiring	292958
1	Sink, Heat	292938	1	Marker, Strip	292961
1	Strip, Terminal	292940	1	Marker, Strip	292962
1	Ammeter, DC	292941	1	Decal, U.L.	292975
1	Voltmeter, DC	292942	1	Decal, CSA	292976
1	Module, SCR	292945	1	Retainer	295010
1	Resistor, Power	292947	1	Block, Terminal	295314
1	Fuse	292948	4	Nut, Captive	298810
1	Harness, Wiring	292958	1	Battery Charger Kit	PAA-248952
1	Marker, Strip	292961	1	Charger Assembly, battery (includes the following)	A-248952
1	Marker, Strip	292962	2	Washer, Lock #6	X-22-25
1	Decal, U.L.	292975	1	Terminal	X-283-8
1	Decal, CSA	292976	2	Block, Terminal	X-405-2
1	Retainer	295010	1	Terminal	X-431-27
1	Block, Terminal	295314	9	Terminal	X-431-28
4	Nut, Captive	298810	1	Screw, R.H.M. 6-32 x 1/2	X-49-26
1	Battery Charger Assembly	PAC-292863	6	Screw, R.H.M. 8-32 x 3/8	X-51-12
1	Charger Assembly, battery (includes the following)	C-292863	4	Screw, R.H.M. 8-32 x 5/8	X-51-9
1	Circuit Board, 12V Charger LO A1	B-262374	2	Connector, Non-Metallic	X-567-1
1	Circuit Board., 12V Charger Cont.	C-262377	4	Screw, Hex. Slotted	X-67-43
2	Washer, Shakeproof #8	X-22-18	4	Screw, Drill	X-794-2
3	Washer, Lock #6	X-22-25	1	Holder, Fuse	238426
2	Terminal	X-283-1	1	Cord, Power	246185
2	Terminal	X-283-11	1	Cover, Battery Charger	246604
3	Terminal	X-283-2	1	Box, Battery Charger	248951
2	Terminal	X-431-23	1	Ammeter, DC	269202
			1	Transformer	269204

GROUP 601 ACCESSORIES

Qty.	Description	Part No.	Qty.	Description	Part No.
1	Resistor, 56 ohm 2 WW	291209	3	Terminal	X-283-8
1	Switch, Slide DPDT	291210	2	Screw, R.H.M.	X-49-2
1	Switch, Slide DPDT	291211	1	Breaker, circuit	X-506-1
1	Diode, 6A 100V	291212	1	Plate, cover	245264
1	Resistor	291213	1	Diagram, wiring	278127
1	Cable	291215	1	Diagram, wiring	278128
1	Cable	291216			
1	Nameplate	291220	1	Meter Kit	A-10429
1	Nameplate	291221	1	Plug, button	X-301-32
1	Breaker, Circuit	291265	1	Screw, pan head	X-49-40
1	Rheostat	291975	1	Nut, hex	X-74-6
1	Battery Rack Kit	PA-277957	1	Ring, lock	151511
2	Screw, H.C.	X-6-11	1	Switch, toggle	238357
2	Washer, lock	X-21-1	1	Meter, hour	238736
2	Nut, hex.	X-82-2	1	Ammeter	245377
2	Nut, elastic stop	X-101-8	1	Plate, cover	250510
2	Bolt, over	238213	1	Diagram, wiring	250567
1	Bracket, hold down	238725	1	Diagram, wiring	250568
1	Rack, battery	277956	1	Decal	250583
1	Battery Rack Kit	278452	1	Decal	250610
2	Nut, elastic stop	X-101-8	2	Transformer, current	259792
2	Bolt, over	239783	1	Sender, oil pressure	264390
1	Rack, battery	239785	1	Gauge, oil pressure	282897
1	Bracket, hold down	239786	1	Voltmeter, AC	295011
1	Flexible Fuel Line Kit	PA-285587	1	Meter, frequency	295069
1	Coupling 1/2-20 x 1/8	X-503-2	1	Ammeter	295337
1	Line, fuel oil 1/4 x 1/2	271261	1	Muffler Kit	PA-150201
1	Gas Strainer Kit	PA-290275	1	Muffler, industrial	150201
1	Strainer, Gas	292485	1	Receptacle Kit	K-10034
1	Generator Paint		2	Terminal	X-283-4
1	Cream Beige Spray Paint	221323	4	Terminal	X-431-27
1	Cream Beige (gallon)	221322	1	Decal, recept. 15 amp.	X-6230-1
9	Line Circuit Breaker Kit	J-10074	1	Recept., duplex	233114
4	Terminal	X-283-3	1	Holder, fuse	238426
2	Terminal	X-283-4	1	Fuse, 15 amp.	283645
			1	Silencer Kit	PA-289714
			1	Muffler, critical	289714

GROUP 701 LITERATURE

Index Number	Description Variation Number	Part Number	Index Number	Description Variation Number	Part Number
1	Guide, Installation 4	ES-420	5	Service, Manual, Single Phase 4	TP-5110
2	Instruction 4	ES-527	6	Operator's Manual 4	TP-5116
3	7RMY Spec Sheet 4	G04-19	7	Parts Catalog 4	TP-5120
4	Start-Up Notification 4	K-625			

TP-5120 5/93
PRINTED IN U.S.A.

KOHLER[®] POWER SYSTEMS

KOHLER CO. KOHLER, WISCONSIN 53044
PHONE 414-565-3381, TELEX 26888
FAX 414-459-1646 (North American Sales), 414-459-1614 (International)
FOR SALES & SERVICE IN U.S.A. & CANADA PHONE 1-800-544-2444