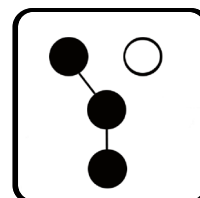


Service Parts

Automatic Transfer Switches



Models:

KCC/KBC
KCS/KCP, KSS/KSP
KBS/KBP, KGS/KGP

Power Switching Device:
Open-, Closed-, and Programmed-Transition
30 to 4000 Amperes

Electrical Controls:
MPAC 750
MPAC 1200
MPAC 1500

9001
KOHLER
POWER SYSTEMS
NATIONALLY REGISTERED

KOHLER®

Power Systems

TP-6433 5/15d

Table of Contents

Introduction	5
Nameplate	5
Model Designation Key	5
Numbering System Significance	5
Finding Part Numbers	5
Enclosure, Door, Logic, and Neutral Assembly Service Parts	5
Contactor Assembly Service Parts	6
Accessories	6
Leads	6
Hardware References	6
Transfer Switch Model Designation Key	7
Enclosures	
30–800 Amp, NEMA 1 and 3R	8
30–800 Amp, NEMA 12, 4, 4X	12
1000–1200 Amp and 1600 Amp Front-Mounted, NEMA 1	22
1200 Amp and 1600–2000 Amp Front-Mounted, NEMA 3R, 4, 4X, 12	24
1600–4000 Amp, NEMA 1	26
1600–4000 Amp, NEMA 3R	28
Bypass Isolation (KB_)	30
Bypass Isolation (KG_)	30
Door, NEMA 1 and 3R	34
Logic	36
Transformers	38
Field Connection Block	39
Neutral Assembly	
30–400 Amp	40
600–1000 Amp	41
1200–4000 Amp	42
Contactor, Model KCS	
30–104 Amp	46
150–200 Amp	48
230 Amp (Connection Code S)	50
Contactor, Model KCS & KCP (Connection Code S)	
150–400 Amp (2-, 3-pole KCP)	52
225, 260, 400 Amp (KCS)	52
150–400 Amp (4-pole KCP)	56
600–1200 Amp (KCS), 800–1200 Amp KCC, KCP	56
Contactor, Model KCC/KBC/KCS/KCS/KCP/KBS/KBP (Connection Code B)	
150–600 Amp KCC/KBC/KCP/KBP/KBS	60
260–600 Amp KCS	60
1600–3000 Amp	64
4000 Amp	66
4000 Amp With Decision-Maker MPAC	66
Contactor, Model KGP	
100–400 Amp	70
600–1200 Amp	72
1600–3000 Amp	74
Contactor, Model KGS	
150–400 Amp	76
600–1200 Amp	82
1600–3000 Amp	84

Table of Contents, continued

Contactor, Model KSP	
100–400 Amp	86
600 Amp	90
Contactor, Model KSS	
40–225 Amp	94
260–600 Amp	96
800–1000 Amp	98
Literature	100
Accessories	101
Appendix A Abbreviations	119
Appendix B Common Hardware Application Guidelines	121
Appendix C General Torque Specifications	122
Appendix D Common Hardware Identification	123
Appendix E Common Hardware List	124
Index	127

Introduction

This manual lists service parts for Model KCC/KBC, KBS/KBP, KCS/KCP, KGS/KGP, and KSS/KSP automatic transfer switches with MPAC 750, MPAC 1200, and MPAC 1500 electrical controls.

Information in this publication represents data available at the time of print. Kohler Co. reserves the right to change this publication and the products represented without notice and without any obligation or liability whatsoever.

Illustrations, photos, or exploded-view drawings accompany most groups in this catalog. The illustrations do not depict all details and may not show all parts. Do not use the illustrations for assembly or disassembly instructions.

The following sections provide instructions to help identify the transfer switch and locate service parts within this manual.

Nameplate

A nameplate attached to the controller cover on the inside of the enclosure door includes a model designation, a serial number, ratings, and other information about the transfer switch. See Figure 1.

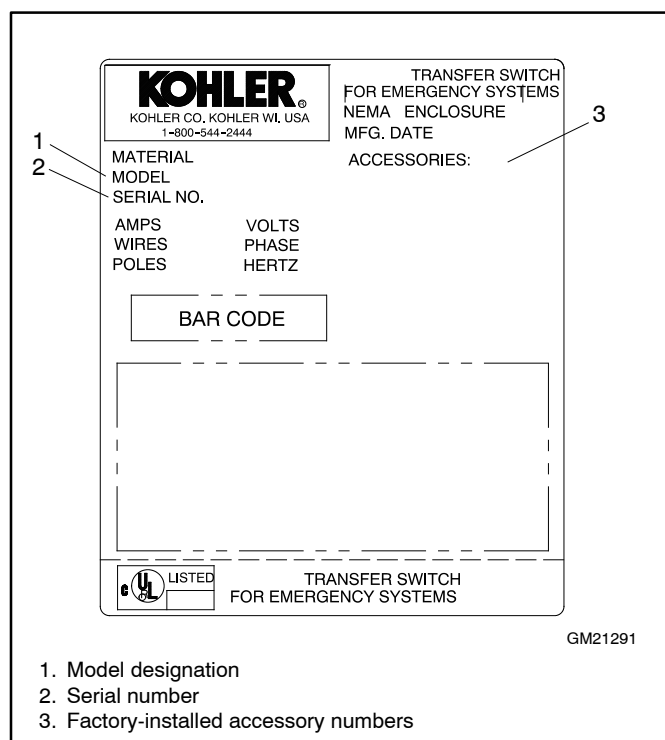


Figure 1 Typical Transfer Switch Nameplate

Model Designation Key

Copy the model designation into the spaces in Figure 2 on page 7 and use the accompanying chart to interpret the model designation.

Numbering System Significance

This manual uses the following numbering systems:

Model Designation. Defines the transfer switch characteristics and ratings as explained in the chart in Figure 2 on page 7 .

Module Number. A unique number representing a parts group needed to assemble a transfer switch function.

Part Number. The part number identifies an assembly, subassembly, component, or accessory kit.

Finding Part Numbers

Parts are listed by major assembly groups or accessory part numbers. Use the following sections to locate and identify transfer switch service parts.

Enclosure, Door, Logic, and Neutral Assembly Service Parts

1. **Find the section for the assembly group that contains the part.** Use the Table of Contents at the beginning of this manual to find the major assembly groups, if necessary.
2. **Locate the part in the illustration** and note the item number or find the part description in the parts list table.
3. **Find the corresponding item number in the parts list table** to determine the part number and quantity used. Find the quantity used at the intersection of the item number row and the module part number column. A blank space at the intersection means the module does not use that part number.

Some part numbers vary according to transfer switch characteristics or ratings. When there are multiple possibilities for parts, use the following steps to determine the module number.

1. **Locate the transfer switch model designation** on the nameplate and record the characters in the boxes on the bottom of the page.
2. **Look for the Module Number Key.** The first columns list the designations. The last column lists the module number.
3. Match the characters from the model designation to the line with the matching elements and read across to the last column **to find the module number.**
4. Locate the parts list table and select **the part number that corresponds to your module number.**

Contactors Assembly Service Parts

This manual lists the part numbers of common contactor service items. Serviceable items without part numbers in the parts lists are available by contacting your supplier of Kohler Co. parts.

1. **Locate the transfer switch model designation, serial number, and contactor serial number** on the nameplates and record the numbers in the boxes on the bottom of the page.
2. **Locate the part in the illustration** and note the item number or find the part description in the parts list table.
3. **Convey the information to your supplier** of Kohler Co. parts.

Accessories

Accessory parts lists are arranged alphabetically by the accessory description.

Determine the accessory number from the transfer switch nameplate.

Leads

Fabricate replacement leads using the same type of wire as the old leads. Add terminals and lead markers at each end of the new lead.

Hardware References

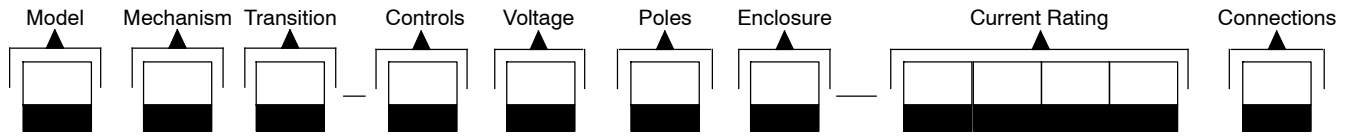
Many common hardware items do not appear in parts manuals or will appear as common hardware entries. A common hardware entry lists the size of the hardware. For example, an item that appears as "Hardware, 3/8-16" in the text means that the piece is 3/8-16 size. Obtain common hardware locally or, if contacting the factory, use the Common Hardware List in the appendix to identify the common hardware part number and specifications. See Common Hardware Application Guidelines in the appendix for mating hardware instructions.

Some hardware items require a specific size or some other characteristic. In that case, use the part number listed in the text.

When replacing hardware, do not substitute inferior grade hardware. Replacement hardware grade should be equal to or better than the grade of the manufacturer's original hardware. Use the Common Hardware List in the appendix to identify the common hardware hardness.

Transfer Switch Model Designation Key

Record the transfer switch model designation in the boxes below. The transfer switch model designation defines characteristics and ratings as indicated in the accompanying chart.



Kohler Model Designation Key

This chart translates the Kohler transfer switch model designation system. The sample model designation shown is for a Model K automatic transfer switch that uses a standard contactor with MPAC 1500 electrical controls rated at 220 volts, 2 poles, 3 wires, and solid neutral in a NEMA type 3R enclosure with a current rating of 400 amperes. Not all possible combinations are available.

SAMPLE MODEL DESIGNATION

KCS-DDNC-0400 S

Model

K: Kohler automatic transfer switch

Mechanism

B: Bypass isolation C: Standard G: Bypass isolation
S: Specific-Breaker Rated

Transition

C: Closed P: Programmed-Transition
S: Standard

Electrical Controls

A: MPAC 1200 (Auto) B: MPAC 1200 (Non-Auto)
D: MPAC 1500 (Auto) F: MPAC 1500 (Non-Auto)
J: MPAC 750 (Auto)

Voltage/Frequency

C: 208/60	G: 380/50	K: 440/60	P: 380/60
D: 220/50	H: 400/50	M: 480/60	R: 220/60
F: 240/60	J: 416/50	N: 600/60	

Number of Poles/Wires

N: 2-pole, 3-wire, solid neutral	W: 4-pole, 4-wire, overlapping neutral
T: 3-pole, 4-wire, solid neutral	Z: 3-pole, 4-wire, integral solid neutral
V: 4-pole, 4-wire, switched neutral	

Enclosure

A: NEMA type 1	C: NEMA type 3R	F: NEMA 4X
B: NEMA type 12	D: NEMA 4	G: Open unit

Current Rating: Numbers indicate the current rating of the switch in amperes:

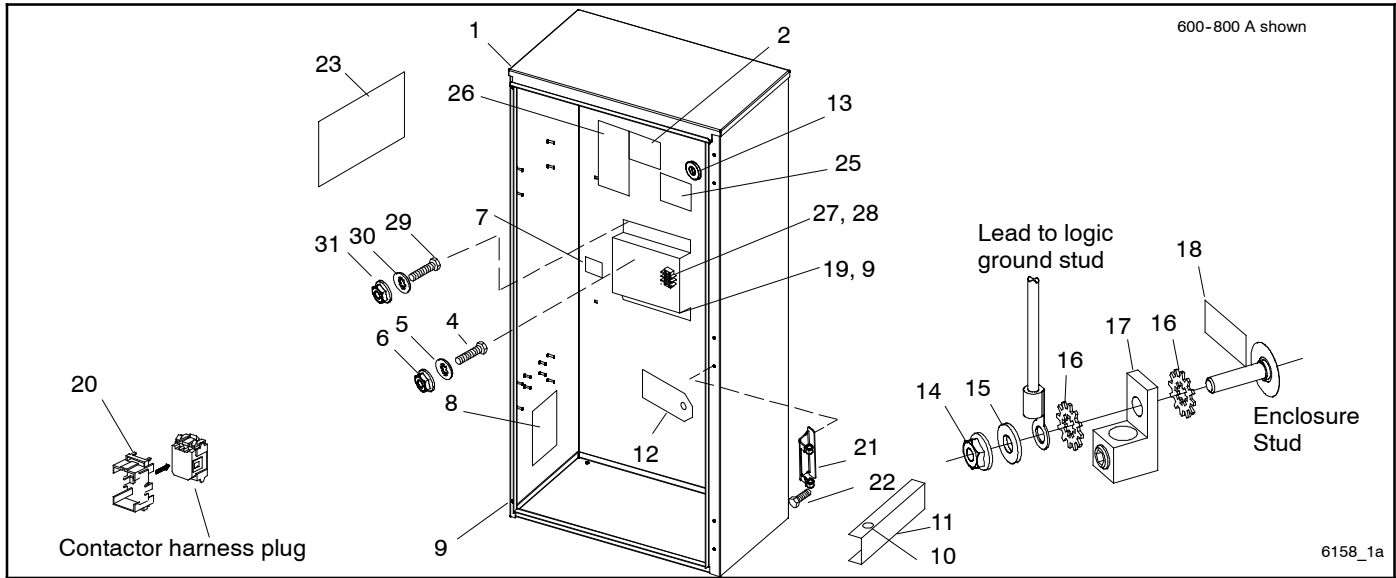
0030	0150	0800	2000
0040	0225	1000	2600
0070	0260	1200	3000
0080	0400	1600	4000
0104	0600		

Power Connections

B: 150-600A S: Standard
F: Front bus

Figure 2 Transfer Switch Model Designation

Enclosures, 30-1000 Amp NEMA 1 and 3R



Item	Part Number	Description	Quantity							
			Module							
			GM46725-KA1	GM46751-KA1	GM46726-KA1	GM46732-KA1	GM48130-KA1	GM48131-KA1	GM46727-KA1	GM48129-KA1
1	GM46801	Enclosure, ATS small	1			1				
1	GM46802	Enclosure, ATS medium		1	1		1	1	1	1
1	294414	Decal, notice cover transfer switch	1	1	1	1	1	1	1	1
4	295023	Bolt, 1/4-20 x 3 in.			4					
4	295008	Bolt, 1/4-20 x 1 in.		4			4	4		
4	X-6224-17	Bolt, 1/2-13 x 2.25 in.							3	
4	X-125-3	Bolt, hex head								3
5	295009	Retainer		4	4		4	4		
5	295010	Retainer							3	
5	320829	Insert, threaded, 5/16-18 in.								3
5	X-25-40	Washer, plain, 0.281 ID x 0.625 in. OD		4	4		4	4		
6	X-6210-2	Nut, flange spirallock, 1/4-20	4	4	4		4	4	3	
7	GM22492	Decal, engine start terminals	1	1						
7	GM22493	Decal, engine start terminals			1					1
7	362113	Decal, engine start terminals				1	1	1	1	
8	297556	Decal, torque	1	1	1	1	1	1	1	1
9	320828	Insert, threaded, 1/4-20 in.	2	2	2	2	2	2	2	2
12	See logic section	Tag, hang (before reconnecting plug)	1	1	1	1	1	1	1	1
13	GM20990	Gasket	4	4	4	4	4	4	4	4
14	X-6210-2	Nut, flange spirallock, 1/4-20	1	1	1				1	1
15	X-25-40	Washer, plain, 0.281 ID x 0.625 in. OD	1	1	1				1	1
16	X-22-12	Washer, lock, 0.262 ID x 0.743 in. OD	2	2	2	2	2	2	2	2
17	X-6207-3	Lug, terminal, aluminum	1	1	1	1	1	1	1	1
18	344295	Decal, equipment ground	1	1	1	1	1	1	1	1
19	GM29981	Panel, contactor mtg.							1	1
19	GM33130	Panel, contactor mtg.					1	1		
20	321330	Boot, connector				1	1	1		
21	GM20572-1	Hinge, ATS enclosure	2	3	3	2	3	3	3	3
22	X-50-1	Screw, slotted pan head machine	4	6	6	4	6	6	6	6
23	GM22555	Decal, manual operating handle								
24	GM24703	Label, blank (not shown)		1	1				1	1
25	GM34998	Decal, ATS rating					1			
25	GM32650	Decal, ATS rating							1	
25	GM32651	Decal, ATS rating								1
26	GM32989	Decal, ATS connection							1	1
27	X-405-2	Terminal block							1	1
28	X-67-152	Screw, tapping							2	2
29	295008	Bolt, 1/4-20 x 1 in.							4	4
30	295009	Retainer							4	4
31	X-6210-2	Nut, flange spirallock, 1/4-20							4	4

Enclosures, 30-1000 Amp

Item	Part Number	Description	Quantity					
			Module					
			GM46730-KA1	GM52015-KA1	GM52015-KA2	GM46731-KA1	GM46728-KA1	GM46729-KA1
1	GM46805	Enclosure, ATS large	1					
1	GM52011	Enclosure, ATS large		1				
1	GM46803	Enclosure, ATS				1	1	
1	GM46804	Enclosure, ATS						1
2	294414	Decal, notice cover transfer switch	1	1		1	1	1
4	X-6224-2	Bolt, 3/8-16 x 1.5 in.	4	4				
4	295008	Bolt, 1/4-20 x 1 in.				4		
4	X-6224-16	Bolt, carriage					4	
4	X-127-17	Bolt, hex head						4
5	295025	Retainer	4	4				
5	295009	Retainer				4	4	
5	X-25-26	Washer, plain, 0.531 ID x 1.062 in. OD						4
6	X-6210-9	Nut, flange spirallock, 3/8-16	4	4				
6	X-6210-2	Nut, flange spirallock, 1/4-20 (contactor to mounting panel)						4
6	320832	Insert, threaded, 1/2-13 in.						4
7	362113	Decal, engine start terminals				1		1
8	297556	Decal, torque	1	1		1	1	1
9	320828	Insert, threaded, 1/4-20 in.	2	2		2	2	2
10	320831	Insert, threaded, 3/8-16 in.	4	4		4	4	4
11	GM21120	Channel, base	2	2		2	2	2
12	See logic section	Tag, hang (before reconnecting plug)	1	1		1	1	1
14	X-6210-2	Nut, flange spirallock, 1/4-20	1	1				1
15	X-25-40	Washer, plain, 0.281 ID x 0.625 in. OD	1	1				1
16	X-22-12	Washer, lock, 0.262 ID x 0.743 in. OD	2	2		2	2	2
17	X-6207-3	Lug, terminal, aluminum	1	1		1	1	1
18	344295	Decal, equipment ground	1	1		1	1	1
19	GM29986	Panel, contactor mounting						1
19	GM29495	Panel, contactor mounting						1
20	321330	Boot, connector				1		
21	GM20572-1	Hinge, ATS enclosure	3	3		3	3	3
22	X-50-1	Screw, slotted pan head machine	6	6		6	6	6
23	GM24703	Label, blank (not shown)	1	1		1	1	2
25	GM32651	Decal, ATS rating						1
26	GM32989	Decal, ATS connection						1
27	X-405-2	Terminal block						1
28	X-67-152	Screw, tapping						2
29	X-6224-5	Bolt, 3/8-16 x 1 in.						4
30	295025	Retainer						4
31	X-6210-9	Nut, flange spirallock, 3/8-16						4

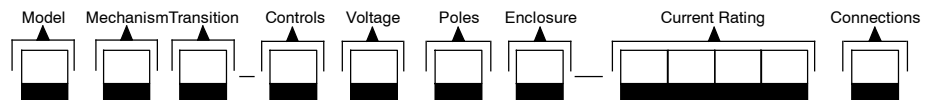
Enclosures, 30-1000 Amp, NEMA 1 and 3R Module Number Key

Model Designation Code									
Model	Mechanism	Transition	Controls	Voltage	Poles	Enclosure	Current Rating	Connect.	Module No.
K	C	S	A,B,D,F	all	all	A, C	30,70,104,150,200	S	GM46725-KA1
K	C	S	A,B,D,F	All but N	all	A, C	230	S	GM46751-KA1
K	C	S	A, B	N	N, T, W	A, C	230	S	GM46726-KA1
K	C	S	A, B	all	N, T, W	A, C	260, 400	S	GM46726-KA1
K	C	S, P, C	A,B,D,F	all	all	A, C	800, 1000	S	GM46730-KA1
K	S	S	A,B,J	all	all	A, C	40-225	S	GM46732-KA1
K	S	P	A,B	all	all	A, C	100,200	S	GM46727-KA1
K	S	S	A,B,J	all	all	A, C	260	S	GM48130-KA1
K	S	S	A,B,J	all	all	A, C	400	S	GM48131-KA1
K	S	S	A,B	all	all	A, C	400	S	GM48129-KA1
K	S	S	A,B,J	all	all	A, C	600	S	GM46731-KA1
K	S	P	A,B	all	all	A, C	600	S	GM46729-KA1
K	S	S	A,B,J	all	all	A, C	800,1000	S	GM52015-KA1
K	S	S	A,B,J	all	all	A, C	800,1000	S	GM52015-KA2*

Please refer to instructions on page 5 for an explanation of how to use this table.

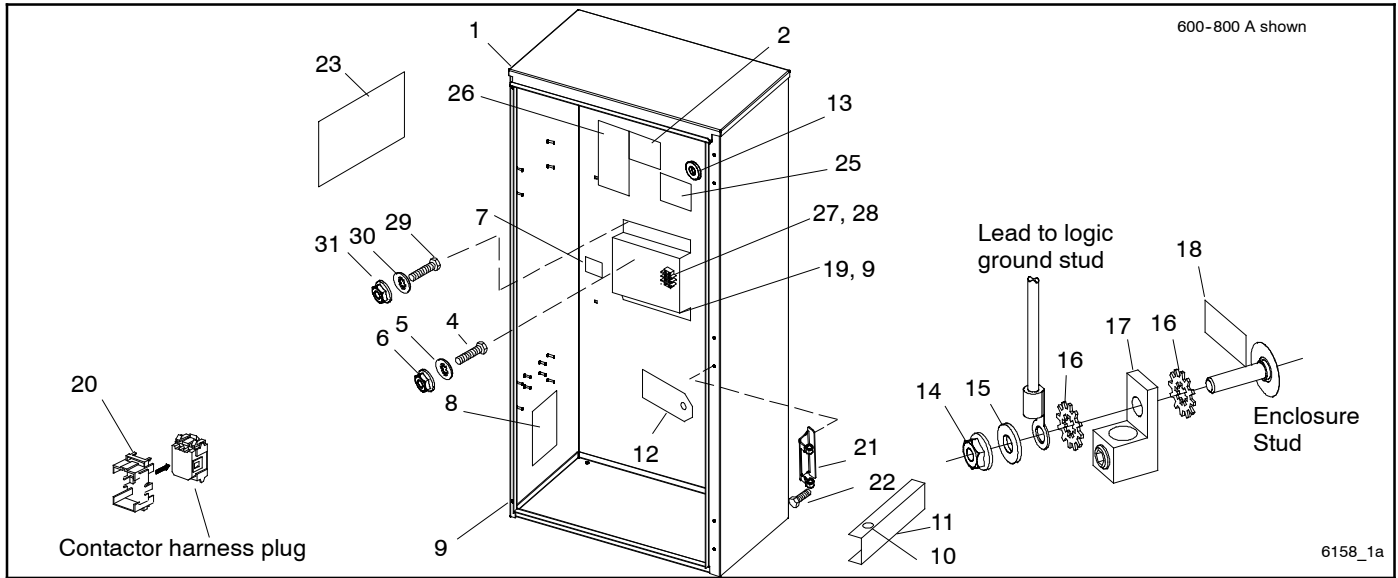
* Seismic units.

Model Designation



Enclosures, 30-1000 Amp, continued

NEMA 1 and 3R



Enclosures, 30-1000 Amp, continued

NEMA 1 and 3R

Item	Part Number	Description	Quantity	
			Module Number	
			GM49947-KA1	GM49947-KA2
1	GM49948	Enclosure, ATS	1	1
2	294414	Decal, notice cover transfer switch	1	1
4	X-6224-5	Bolt, carriage	4	4
5	295025	Retainer	4	4
5	X-25-37	Washer, plain, 0.406 ID x 0.812 in. OD	4	4
6	X-6210-9	Nut, flange spirallock, 3/8-16	4	4
8	297556	Decal, torque	1	1
9	320828	Insert, threaded, 1/4-20 in.	2	2
10	295025	Retainer	4	4
11	GM21120	Channel, base	2	2
12	See logic section	Tag, hang (before reconnecting plug)	1	1
14	X-81-10	Nut, hex, 1/4-20	2	2
15	X-25-40	Washer, flat, 0.312 ID x 0.75 in. OD	2	2
16	X-6086-24	Washer, spring	2	2
17	X-6207-14	Lug, terminal	1	1
18	344295	Decal, equipment ground	1	1
21	GM20572-1	Hinge, ATS enclosure	3	3
22	X-50-1	Screw, slotted pan head machine	6	6
23	GM24703	Label, blank (not shown)	1	1
29	X-6224-8	Bolt, carriage	2	
29	X-6224-5	Bolt, carriage		2
30	295025	Retainer	2	2
31	X-6210-9	Nut, flange spirallock, 3/8-16	2	2

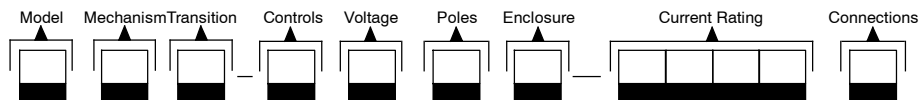
Enclosures, 30-800 Amp, NEMA 1 and 3R

Module Number Key

Model Designation Code									Module Number
Model	Mechanism	Transition	Controls	Voltage	Poles	Enclosure	Current Rating	Connections	
K	C	S	A, B	N	V	A, C	230	all	GM49947-KA1
K	C	S	A, B	all	V	A, C	260, 400	all	GM49947-KA1
K	C	S	D, F	N	all	A, C	230	all	GM49947-KA1
K	C	S	D, F	all	all	A, C	260, 400	all	GM49947-KA1
K	C	S, P, C	A, B, D, F	all	all	A, C	600	all	GM49947-KA2
K	C	P, C	A, B, D, F	all	all	A, C	150-400	all	GM49947-KA1

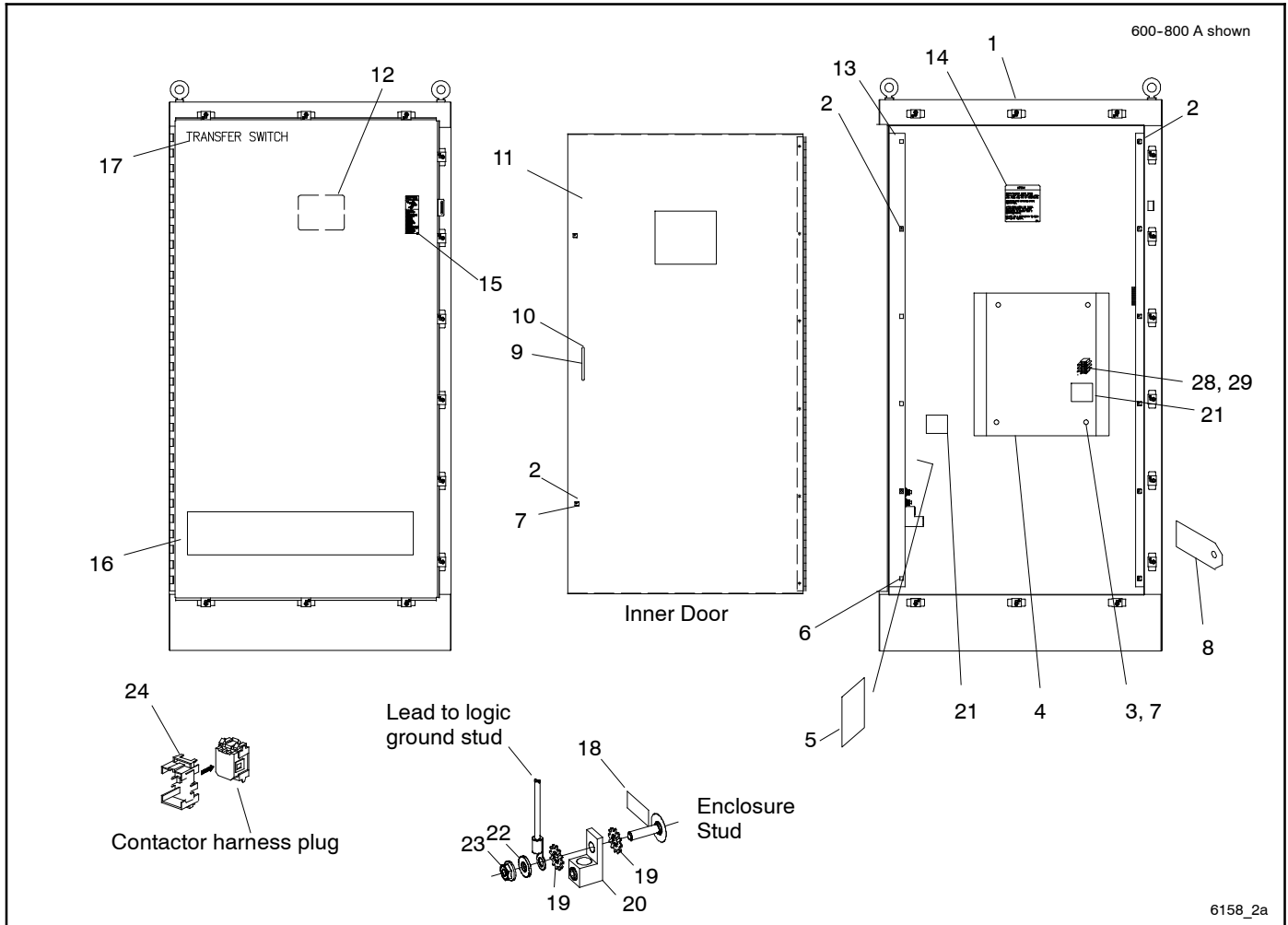
Please refer to instructions on page 5 for an explanation of how to use this table.

Model Designation



Enclosures, 30-1000 Amp, continued

NEMA 12, 4, 4X



Enclosures, 30-1000 Amp, continued NEMA 12, 4, 4X

Item	Part Number	Description	Quantity																
			Module																
			GM46734-KA3	GM46734-KA1	GM46734-KA2	GM46735-KA1	GM46735-KA2	GM46735-KA3	GM46736-KA1	GM46736-KA2	GM46736-KA3								
1	GM47826	Enclosure, NEMA 12	1						1										
1	GM47824	Enclosure, NEMA 4		1			1												
1	GM47825	Enclosure, NEMA 4X			1			1											
1	GM47827	Enclosure, NEMA 4										1							
1	GM47828	Enclosure, NEMA 4X											1						
1	GM47829	Enclosure, NEMA 12																	1
2	X-6204-1	Retainer, nut	8	8	8	8	8	8	8	8	8	8	8	8	8	8	8	8	8
4	GM33091	Panel, ATS mounting													1	1	1	1	1
5	297556	Decal, torque	1	1	1	1	1	1	1	1	1	1	1	1	1	1	1	1	1
6	X-791-2	Screw, slotted hex washer head	8	8	8	8	8	8	8	8	8	8	8	8	8	8	8	8	8
7	295009	Retainer	2	2	2	2	2	2	2	2	2	2	2	2	2	2	2	2	2
8	See logic section	Tag, hang (before reconnect. plug)	1	1	1	1	1	1	1	1	1	1	1	1	1	1	1	1	1
9	GM14177	Handle	1	1	1	1	1	1	1	1	1	1	1	1	1	1	1	1	1
10	X-50-6	Screw, slotted pan head machine	2	2	2	2	2	2	2	2	2	2	2	2	2	2	2	2	2
11	GM22392	Door	1	1	1	1	1	1	1	1									
11	GM22393	Door													1	1	1	1	1
12	297721	Decal, warning, more than one live circuit	1	1	1	1	1	1	1	1	1	1	1	1	1	1	1	1	1
13	GM22390	Rail, mounting	2	2	2	2	2	2	2	2									
13	GM22391	Rail, mounting													2	2	2	2	2
14	294414	Decal, notice cover transfer switch	1	1	1	1	1	1	1	1	1	1	1	1	1	1	1	1	1
15	362176	Decal, danger	1	1	1	1	1	1	1	1	1	1	1	1	1	1	1	1	1
16	X-6246-13	Decal, Kohler Power Systems	1	1	1	1	1	1	1	1	1	1	1	1	1	1	1	1	1
17	GM21373	Decal, Transfer Switch	1	1	1	1	1	1	1										
17	273476	Decal, Transfer Switch													1	1	1	1	1
18	344295	Decal, equipment ground	1	1	1	1	1	1	1	1	1	1	1	1	1	1	1	1	1
19	X-22-12	Washer, lock, 0.262 ID x 0.743 in. OD	2	2	2	2	2	2	2	2	2	2	2	2	2	2	2	2	2
20	X-6207-3	Lug, terminal, aluminum	1	1	1	1	1	1	1	1	1	1	1	1	1	1	1	1	1
21	GM22492	Decal, engine start terminals	1	1	1										1	1	1	1	1
21	362113	Decal, engine start terminals							1	1	1								
22	X-25-40	Washer, plain, 0.281 ID x 0.625 in. OD	1	1	1	1	1	1	1	1									
23	X-6210-2	Nut, flange spirallock, 1/4-20	1	1	1	1	1	1	1	1									
24	321330	Boot, connector							1	1	1								
25	GM24703	Label, blank (not shown)	1	1	1										1	1	1	1	1
26	GM47035	Plate, closure (not shown)	1	1	1	1	1	1	1	1	1	1	1	1	1	1	1	1	1

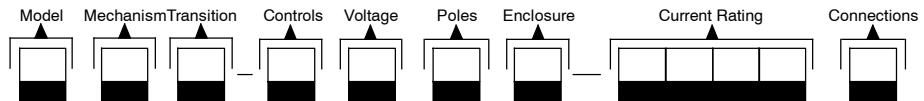
Enclosures, 30-800 Amp, NEMA 12, 4, 4X

Module Number Key

Model Designation Code										Module
Model	Mechanism	Transition	Controls	Voltage	Poles	Enclosure	Current	Connect.		
K	C	S	A,B,D,F	all	all	D	30-200	S		GM46734-KA1
K	C	S	A,B,D,F	all	all	F	30-200	S		GM46734-KA2
K	C	S	A,B,D,F	all	all	B	30-200	S		GM46734-KA3
K	C	S	A, B	N	N, T, W	D	230-400	S		GM46737-KA1
K	C	S	A, B	N	N, T, W	F	230-400	S		GM46737-KA2
K	C	S	A, B	N	N, T, W	B	230-400	S		GM46737-KA3
K	S	S	A,B,J	all	N, T, V	D	40-225	S		GM46735-KA1
K	S	S	A,B,J	all	N, T, V	F	40-225	S		GM46735-KA2
K	S	S	A,B,J	all	N, T, V	B	40-225	S		GM46735-KA3
K	S	S	D	all	N, T, V	D	260	S		GM46738-KA1
K	S	S	D	all	N, T, V	F	260	S		GM46738-KA2
K	S	S	D	all	N, T, V	B	260	S		GM46738-KA3
K	C	S	A,B,D,F	all except N	N, T, V, W, Z	D	230	S		GM46736-KA1
K	C	S	A,B,D,F	all except N	N, T, V, W, Z	F	230	S		GM46736-KA2
K	C	S	A,B,D,F	all except N	N, T, V, W, Z	B	230	S		GM46736-KA3

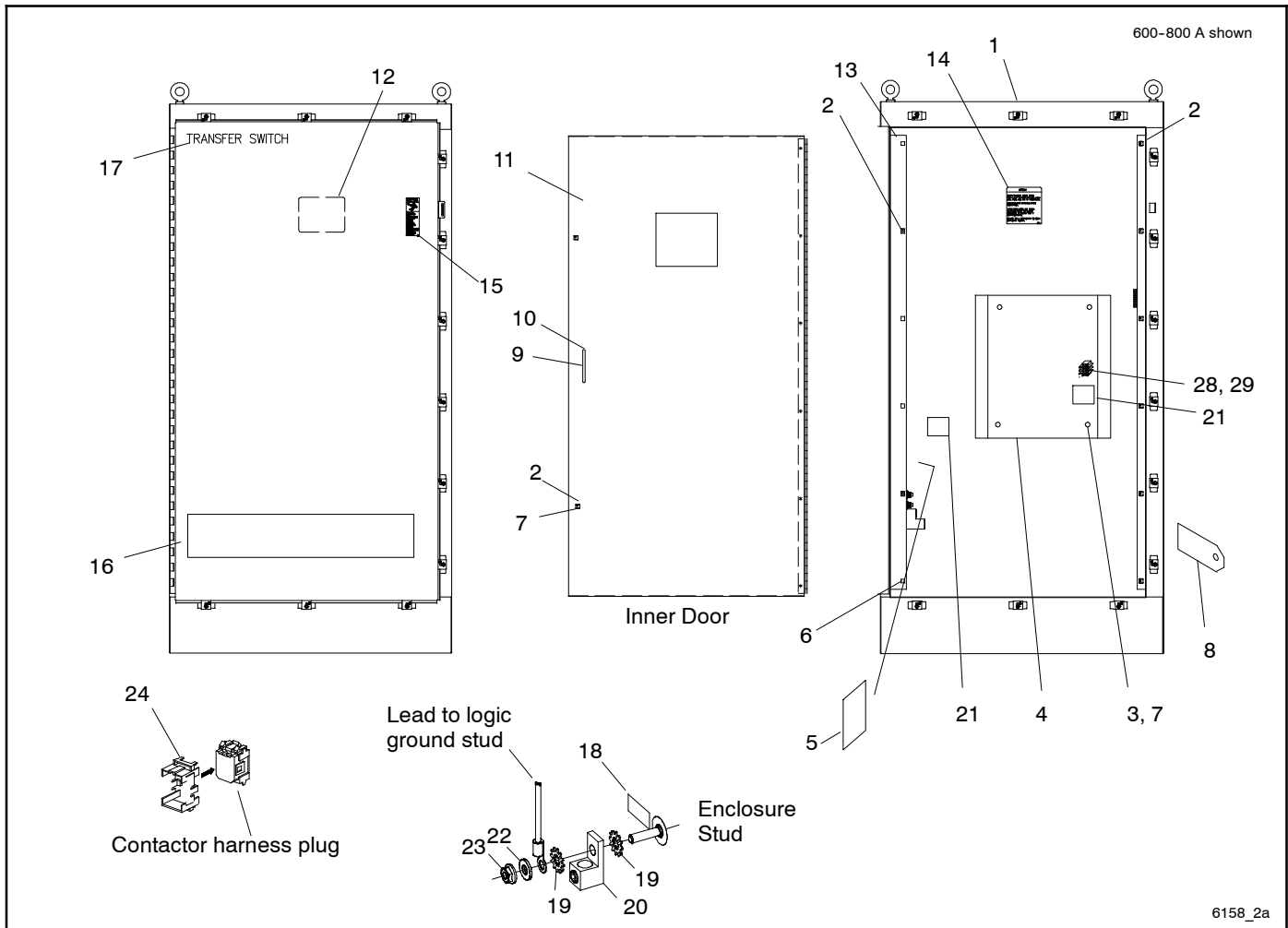
Please refer to instructions on page 5 for an explanation of how to use this table.

Model Designation



Enclosures, 30-1000 Amp, continued

NEMA 12, 4, 4X, continued



Item	Part Number	Description	Quantity													
			Module													
			GM46737-KA3	GM46737-KA1	GM46737-KA2	GM46745-KA3	GM46745-KA1	GM46738-KA1	GM46738-KA2	GM46738-KA3	GM46739-KA1	GM46739-KA2	GM46739-KA3	GM46743-KA1	GM46743-KA2	GM46743-KA3
1	GM47828	Enclosure, NEMA 4X			1			1	1		1					
1	GM47827	Enclosure, NEMA 4		1				1	1							
1	GM47829	Enclosure, NEMA 12	1							1			1			
1	GM47838	Enclosure, NEMA 12				1										
1	GM47836	Enclosure, NEMA 4					1									
1	GM47830	Enclosure, NEMA 4												1		
1	GM47831	Enclosure, NEMA 4X													1	
1	GM47832	Enclosure, NEMA 12														1
2	X-6204-1	Retainer, nut	8	8	8	8	8	8	8	8	8	8	8	8	8	8
3	295023	Bolt, 1/4-20 x 3 in.	4	4	4											
3	295008	Bolt, 1/4-20 x 1 in.						4	4	4	4	4	4			
4	GM22399	Panel, ATS mounting	1	1	1						1	1	1			
4	GM29495	Plate, contactor mounting													1	1
4	GM33130	Plate, contactor mounting						1	1	1					1	1
5	297556	Decal, torque	1	1	1	1	1	1	1	1	1	1	1	1	1	1
6	X-791-2	Screw, slotted hex washer head	8	8	8	8	8	8	8	8	8	8	8	8	8	8
7	295009	Retainer	6	6	6	2	2	2	2	2	2	2	2	2	2	2
8	See logic section	Tag, hang (before reconnect. plug)	1	1	1	1	1	1	1	1	1	1	1	1	1	1
9	GM14177	Handle	1	1	1	1	1	1	1	1	1	1	1	1	1	1

Enclosures, 30-1000 Amp, continued NEMA 12, 4, 4X, continued

Item	Part Number	Description	Quantity												
			Module												
			GM46737-KA3	GM46737-KA1	GM46737-KA2	GM46745-KA3	GM46745-KA1	GM46738-KA1	GM46738-KA2	GM46738-KA3	GM46739-KA1	GM46739-KA2	GM46739-KA3	GM46743-KA1	GM46743-KA2
10	X-50-6	Screw, slotted pan head machine	2	2	2	2	2	2	2	2	2	2	2	2	2
11	GM22393	Door	1	1	1				1	1	1	1	1	1	1
11	GM22733	Door				1	1								
12	297721	Decal, warning, more than one live circuit	1	1	1	1	1	1	1	1	1	1	1	1	1
13	GM22391	Rail, mounting	2	2	2				2	2	2	2	2	2	2
13	GM22734	Rail, mounting				2	2								
14	294414	Decal, notice cover transfer switch	1	1	1	1	1	1	1	1	1	1	1	1	1
15	362176	Decal, danger	1	1	1	1	1	1	1	1	1	1	1	1	1
16	X-6246-13	Decal, Kohler Power Systems	1	1	1				1	1	1	1	1	1	1
16	X-6246-14	Decal, Kohler Power Systems				1	1								
17	273746	Decal, transfer switch, Kohler	1	1	1	1	1	1	1	1	1	1	1	1	1
18	344295	Decal, equipment ground	1	1	1	1	1	1	1	1	1	1	1	1	1
19	X-22-12	Washer, lock, 0.262 ID x 0.743 in. OD	2	2	2	2	2	2	2	2	2	2	2	2	2
20	X-6207-3	Lug, terminal, aluminum	1	1	1	1	1	1	1	1	1	1	1	1	1
21	GM22493	Decal, engine start terminals	1	1	1										
21	362113	Decal, engine start terminals							1	1	1	1	1	1	1
22	X-25-40	Washer, plain, 0.281 ID x 0.625 in. OD	1	1	1	1	1	1	1	1	1	1	1	1	1
23	X-6210-2	Nut, flange spiralock, 1/4-20	1	1	1	1	1	1	1	1	1	1	1	1	1
24	321330	Boot, connector							1	1	1	1	1	1	1
25	GM24703	Label, blank (not shown)	1	1	1	1	1	1	1	1	1	1	1	1	1
26	GM47035	Plate, closure (not shown)	1	1	1	1	1	1	1	1	1	1	1	1	1

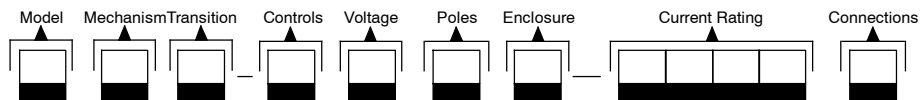
Enclosures, 30-1000 Amp, NEMA 12, 4, 4X

Module Number Key

Model Designation Code										Module Number
Model	Mechanism	Transition	Controls	Voltage	Poles	Enclosure	Current Rating	Connections		
K	C	S,P,C	A,B,D,F	all	all	D	800-1000	S		GM46745-KA1
K	C	S,P,C	A,B,D,F	all	all	F	800-1000	S		GM46745-KA2
K	C	S,P,C	A,B,D,F	all	all	B	800-1000	S		GM46745-KA3
K	C	S	A,B	all	N, T, V, W, Z	D	260-400	S		GM46737-KA1
K	C	S	A,B	all	N, T, V, W, Z	F	260-400	S		GM46737-KA2
K	C	S	A,B	all	N, T, V, W, Z	B	260-400	S		GM46737-KA3
K	S	S	A,B,J	all	all	D	260	S		GM46738-KA1
K	S	S	A,B,J	all	all	F	260	S		GM46738-KA2
K	S	S	A,B,J	all	all	B	260	S		GM46738-KA3
K	S	S	A,B,J	all	all	D	400	S		GM46739-KA1
K	S	S	A,B,J	all	all	F	400	S		GM46739-KA2
K	S	S	A,B,J	all	all	B	400	S		GM46739-KA3
K	S	S	A,B,J	all	all	D	600	S		GM46743-KA1
K	S	S	A,B,J	all	all	F	600	S		GM46743-KA2
K	S	S	A,B,J	all	all	B	600	S		GM46743-KA3

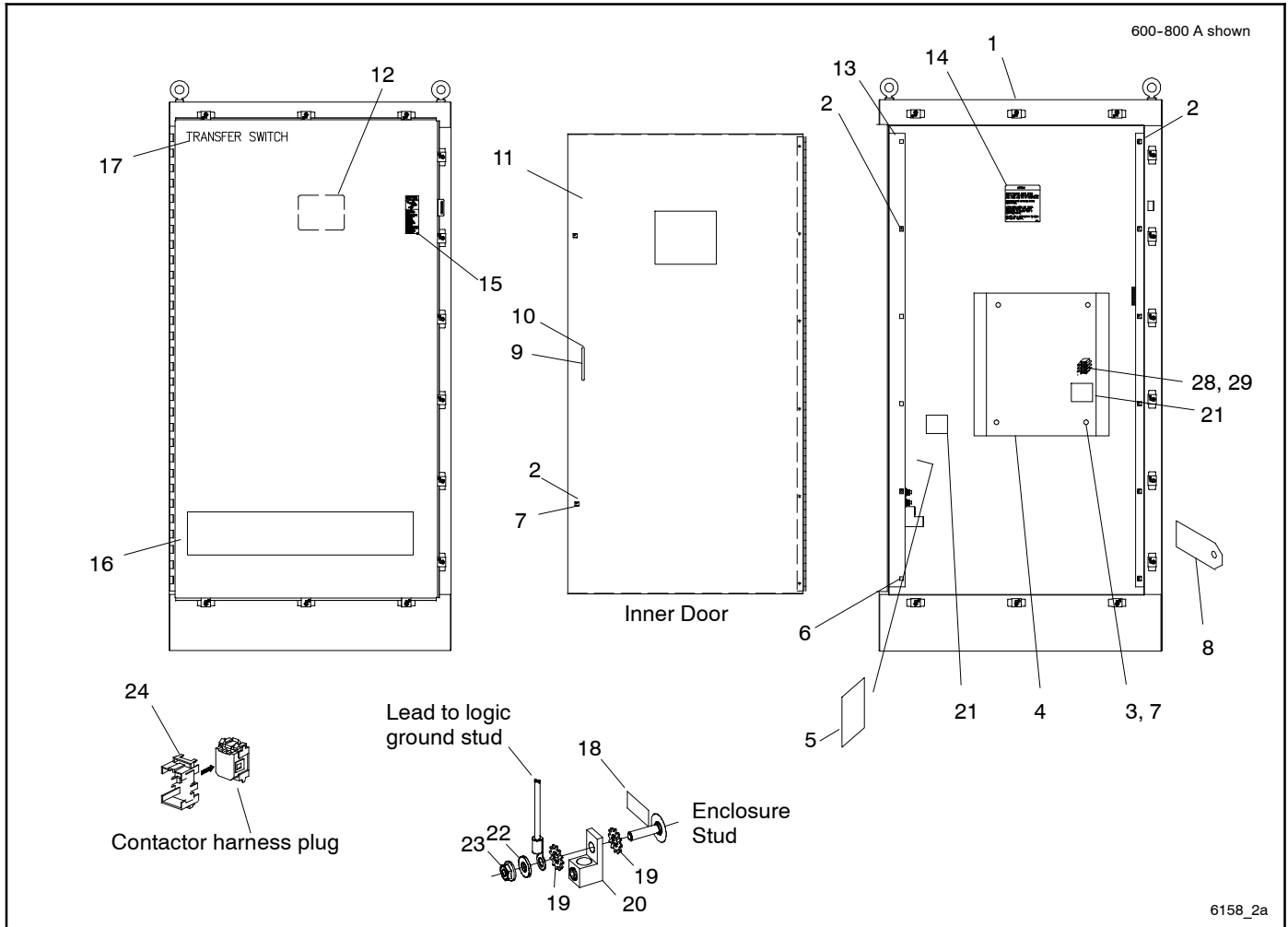
Please refer to instructions on page 5 for an explanation of how to use this table.

Model Designation



Enclosures, 30-1000 Amp, continued

NEMA 12, 4, 4X, continued



Enclosures, 30-1000 Amp, continued

NEMA 12, 4, 4X, continued

Item	Part Number	Description	Quantity			
			Module Number			
			GM46745-KA2	GM46742-KA3	GM46742-KA1	GM46742-KA2
1	GM47837	Enclosure, NEMA 4X	1			
1	GM47832	Enclosure, NEMA 12		1		
1	GM47830	Enclosure, NEMA 4			1	
1	GM47831	Enclosure, NEMA 4X				1
2	X-6204-1	Retainer, nut	8	8	8	8
5	297556	Decal, torque	1	1	1	1
6	X-791-2	Screw, slotted hex washer head	8	8	8	8
7	295009	Retainer	2	2	2	2
8	See logic section	Tag, hang (before reconnect. plug)	1			
9	GM14177	Handle	1	1	1	1
10	X-50-6	Screw, slotted pan head machine	2	2	2	2
11	GM22733	Door	1			
11	GM33114	Door		1	1	1
12	297721	Decal, warning	1	1	1	1
13	GM22734	Rail, mounting	2			
13	GM33116	Rail, mounting		2	2	2
14	294414	Decal, notice cover transfer switch	1	1	1	1
15	362176	Decal, danger	1	1	1	1
16	X-6246-14	Decal, Kohler Power Systems	1			
16	X-6246-13	Decal, Kohler Power Systems		1	1	1
17	273746	Decal, transfer switch, Kohler	1	1	1	1
18	344295	Decal, equipment ground	1	1	1	1
19	X-22-12	Washer, lock, 0.262 ID x 0.743 in. OD	2	2	2	2
20	X-6207-3	Lug, terminal, aluminum	1	1	1	1
22	X-25-40	Washer, plain, 0.281 ID x 0.625 in. OD	1	1	1	1
23	X-6210-2	Nut, flange spiralock, 1/4-20	1	1	1	1
25	GM24703	Label, blank (not shown)	1	1	1	1
26	GM47035	Plate, closure (not shown)	1	1	1	1

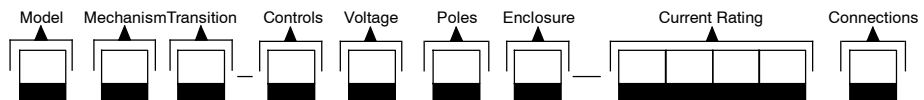
Enclosures, 30-800 Amp, NEMA 12, 4, 4X

Module Number Key

Model Designation Code									
Model	Mechanism	Transition	Controls	Voltage	Poles	Enclosure	Current Rating	Connections	Module Number
K	C	S	D	all	N, T, V, W, Z	D	30-200	S	GM46734-KA1
K	C	S	D	all	N, T, V, W, Z	F	30-200	S	GM46734-KA2
K	C	S	D	all	N, T, V, W, Z	B	30-200	S	GM46734-KA3
K	S	S	D	all	N, T, V	D	40-225	S	GM46735-KA1
K	S	S	D	all	N, T, V	F	40-225	S	GM46735-KA2
K	S	S	D	all	N, T, V	B	40-225	S	GM46735-KA3
K	C	C, P, S	D	all	N, T, V, W, Z	D	600-1000	S	GM46745-KA1
K	C	C, P, S	D	all	N, T, V, W, Z	F	600-1000	S	GM46745-KA2
K	C	C, P, S	D	all	N, T, V, W, Z	B	600-1000	S	GM46745-KA3
K	C	P	D	all	V, W, Z	D	150-400	S	GM46745-KA1
K	C	P	D	all	V, W, Z	F	150-400	S	GM46745-KA2
K	C	P	D	all	V, W, Z	B	150-400	S	GM46745-KA3
K	C	P	D	all	N, T	D	150-400	S	GM46742-KA1
K	C	P	D	all	N, T	F	150-400	S	GM46742-KA2
K	C	P	D	all	N, T	B	150-400	S	GM46742-KA3
K	S	P	D	all	N, T, V	D	260-400	S	GM46741-KA1
K	S	P	D	all	N, T, V	F	260-400	S	GM46741-KA2
K	S	P	D	all	N, T, V	B	260-400	S	GM46741-KA3
K	S	S	D	all	N, T, V	D	600	S	GM46743-KA1
K	S	S	D	all	N, T, V	F	600	S	GM46743-KA2
K	S	S	D	all	N, T, V	B	600	S	GM46743-KA3

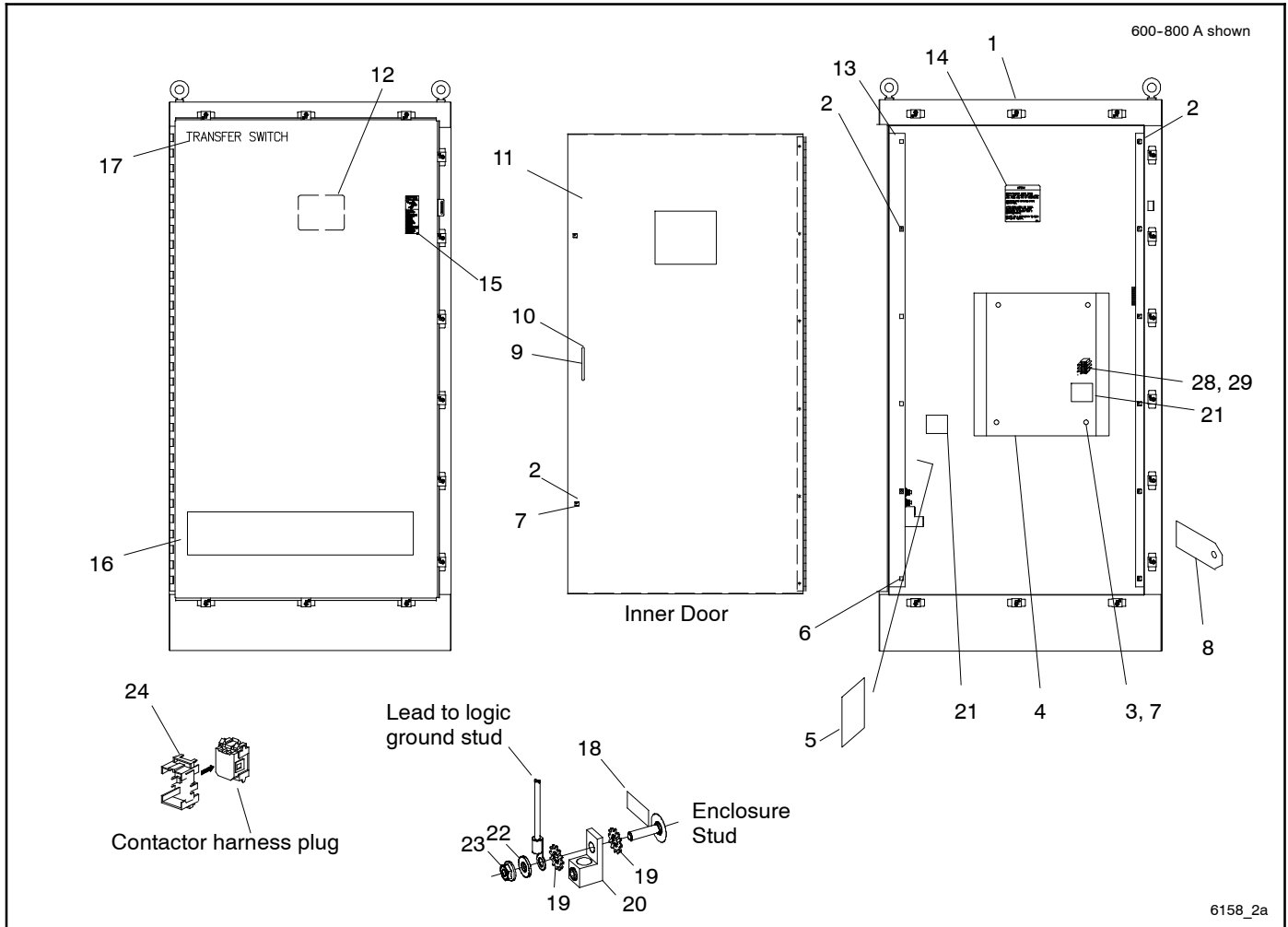
Please refer to instructions on page 5 for an explanation of how to use this table.

Model Designation



Enclosures, 30-1000 Amp, continued

NEMA 12, 4, 4X, continued



Enclosures, 30-800 Amp, NEMA 12, 4, 4X

Module Number Key

Model Designation Code									Module Number
Model	Mechanism	Transition	Controls	Voltage	Poles	Enclosure	Current Rating	Connections	
K	C	S	A, B	N	V	D	230-400	S, B	GM49949-KA1
K	C	S	A, B	N	V	F	230-400	S, B	GM49949-KA2
K	C	S	A, B	N	V	B	230-400	S, B	GM49949-KA3
K	C	S	A, B	all	all	D	600	S	GM49949-KA1
K	C	S	A, B	all	all	F	600	S	GM49949-KA2
K	C	S	A, B	all	all	B	600	S	GM49949-KA3
K	C	S	D, F	N	all	D	230		GM49949-KA1
K	C	S	D, F	N	all	F	230		GM49949-KA2
K	C	S	D, F	N	all	B	230		GM49949-KA3
K	C	S	D, F	all	all	D	260-600		GM49949-KA1
K	C	S	D, F	all	all	F	260-600		GM49949-KA2
K	C	S	D, F	all	all	B	260-600		GM49949-KA3
K	C	P, C	A, B, D, F	all	all	D	150-600		GM49949-KA1
K	C	P, C	A, B, D, F	all	all	F	150-600		GM49949-KA2
K	C	P, C	A, B, D, F	all	all	B	150-600		GM49949-KA3
K	S	S	A, B, J	all	all	D	800,1000	S	GM59331-KA1
K	S	S	A, B, J	all	all	F	800,1000	S	GM59331-KA2
K	S	S	A, B, J	all	all	B	800,1000	S	GM59331-KA3

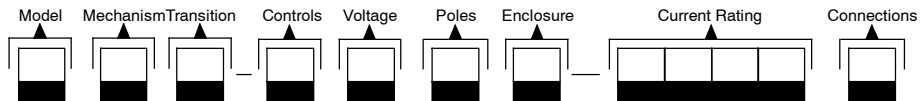
Please refer to instructions on page 5 for an explanation of how to use this table.

Enclosures, 30-1000 Amp, continued

NEMA 12, 4, 4X, continued

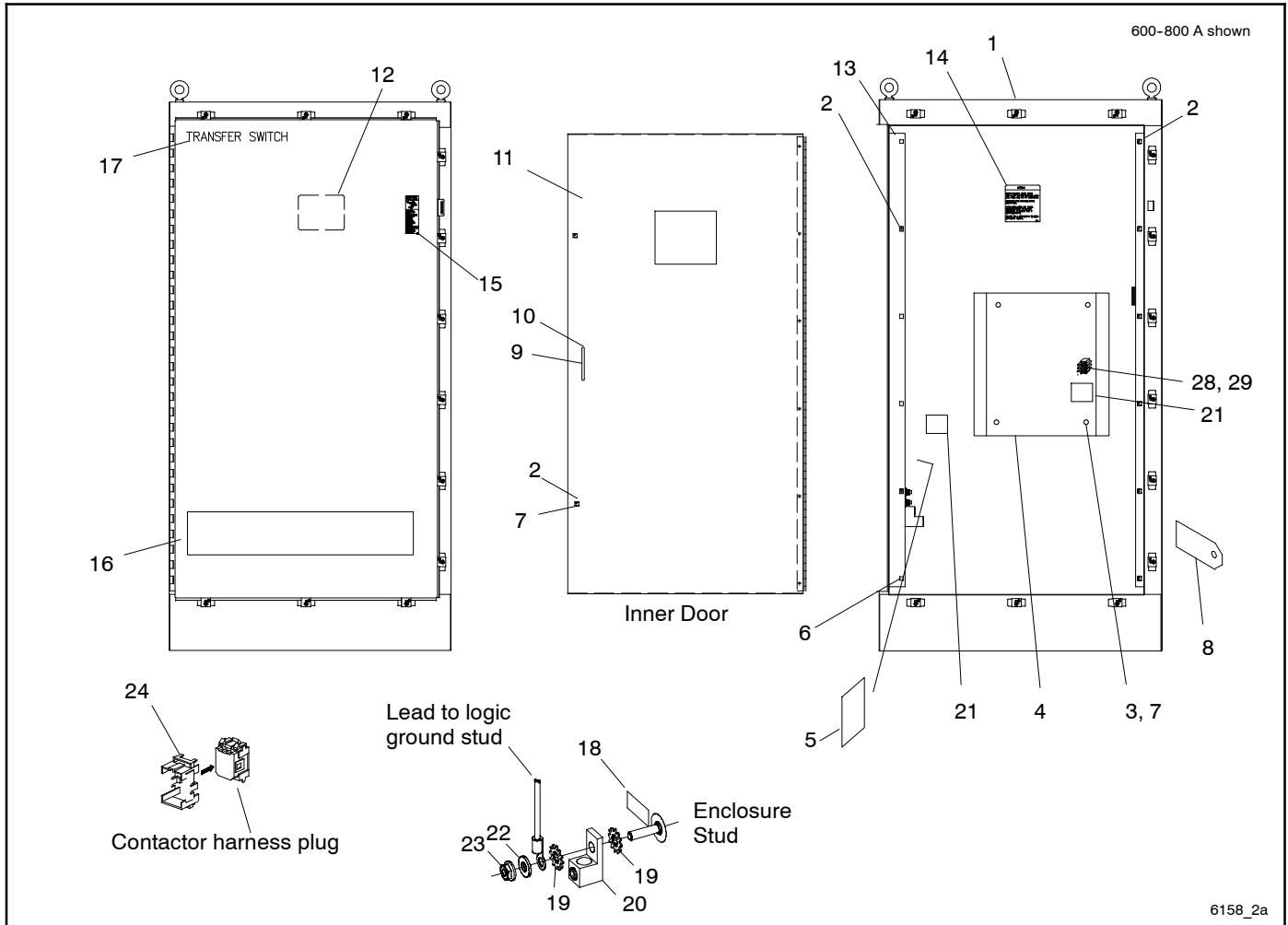
Item	Part Number	Description	Quantity					
			Module					
			GM49949-KA1	GM49949-KA2	GM49949-KA3	GM59331-KA1	GM59331-KA2	GM59331-KA3
1	GM49973	Enclosure, NEMA 4	1					
1	GM49974	Enclosure, NEMA 4X		1				
1	GM49975	Enclosure, NEMA 12			1			
1	GM59328	Enclosure, NEMA 4				1		
1	GM59329	Enclosure, NEMA 4X					1	
1	GM59330	Enclosure, NEMA 12						1
2	X-6204-1	Retainer, nut	8	8	8	8	8	8
3	X-6210-9	Nut, flange spirallock, 3/8-16	4	4	4	4	4	4
3	X-25-37	Washer, plain, 0.406 ID x 0.812 in. OD	4	4	4	4	4	4
4	GM52256	Panel, contactor mounting				1	1	1
5	297556	Decal, torque	1	1	1	1	1	1
6	X-791-2	Screw, slotted hex washer head	8	8	8	8	8	8
7	295009	Retainer	2	2	2	2	2	2
8	See logic section	Tag, hang (before reconnect. plug)						
9	GM14177	Handle	1	1	1	1	1	1
10	X-50-6	Screw, slotted pan head machine	2	2	2	2	2	2
11	GM33114	Door	1	1	1			
11	GM22733	Door, ATS inner				1	1	1
12	297721	Decal, warning	1	1	1	1		
13	GM33116	Rail, mounting	2	2	2			
13	GM22734	Rail, mounting				2	2	2
14	294414	Decal, notice cover transfer switch	1	1	1	1	1	1
15	362176	Decal, danger (hazardous voltage)	1	1	1	1	1	1
16	X-6246-13	Decal, Kohler Power Systems	1	1	1			
16	X-6246-14	Decal, Kohler Power Systems				1	1	1
17	273746	Decal, transfer switch, Kohler	1	1	1	1	1	1
18	344295	Decal, equipment ground	1	1	1	1	1	1
19	X-6086-24	Washer, spring	2	2	2	2	2	2
20	X-6207-14	Lug, terminal	1	1	1	1	1	1
21	297558	Decal (engine start terminals)				1	1	1
22	X-25-20	Washer, flat, 0.312 ID x 0.75 in. OD	2	2	2	2	2	2
23	X-6210-2	Nut, hex, 1/4-20	2	2	2			
23	X-81-10	Nut, hex, 1/4-20				2	2	2
24	321330	Boot, connector				1	1	1
25	GM24703	Label, blank (not shown)	1	1	1	1	2	2
26	GM47035	Plate, closure (not shown)	1	1	1	1	1	1
28	GM52669	Bracket, terminal block (not shown)				1	1	1
28	X-405-2	Terminal block				1	1	1
29	X-67-152	Screw, tapping				1	1	1
32	294328	Decal, danger, high voltage (not shown)				1	1	1

Model Designation



Enclosures, 30-1000 Amp, continued

NEMA 12, 4, 4X, continued



Enclosures, 30-1000 Amp, continued NEMA 12, 4, 4X, continued

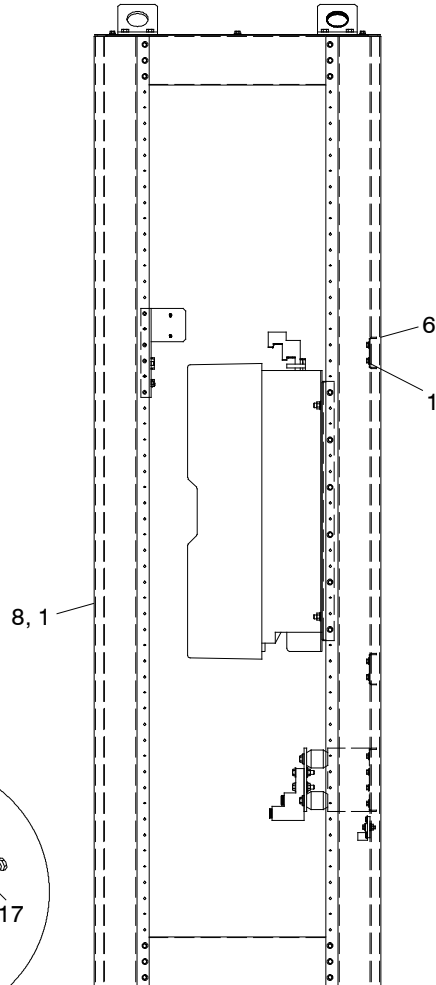
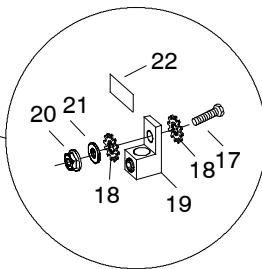
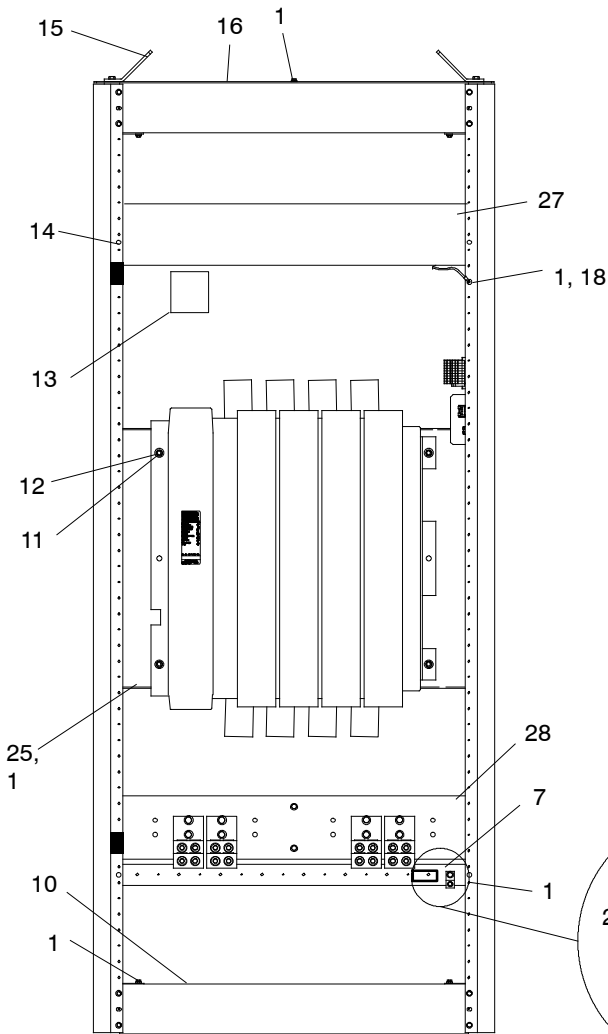
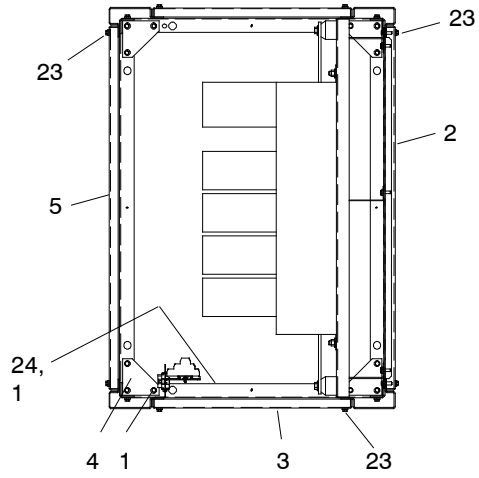
Item	Part Number	Description	Quantity								
			Module								
			GM46740-KA3	GM46740-KA1	GM46740-KA2	GM46741-KA3	GM46741-KA1	GM46741-KA2	GM46744-KA3	GM46744-KA1	GM46744-KA2
1	GM47827	Enclosure, NEMA 4		1							
1	GM47829	Enclosure, NEMA 12	1								
1	GM47828	Enclosure, NEMA 4X			1			1			
1	GM47835	Enclosure, NEMA 12							1		
1	GM47833	Enclosure, NEMA 4								1	
1	GM47834	Enclosure, NEMA 4X									1
2	X-6204-1	Retainer, nut	8	8	8	8	8	8	8	8	8
3	X-6224-17	Bolt, 1/4-20 x 3 in.	3	3	3						
3	X-125-3	Bolt, hex cap				3	3	3			
3	X-129-17	Bolt, hex cap							4	4	4
4	GM29986	Plate, contactor mounting							1	1	1
4	GM30535	Plate, contactor mounting	1	1	1	1	1	1			
5	297556	Decal, torque	1	1	1	1	1	1	1	1	1
6	X-791-2	Screw, slotted hex washer head	2	2	2	2	2	2	2	2	2
7	295009	Retainer	2	2	2	2	2	2	2	2	2
8	See logic section	Tag, hang (before reconnect. plug)	1	1	1	1	1	1	1	1	1
9	GM14177	Handle	1	1	1	1	1	1	1	1	1
10	X-50-6	Screw, slotted pan head machine	2	2	2	2	2	2	2	2	2
11	GM22393	Door, ATS inner	1	1	1	1	1	1			
11	GM33114	Door, ATS inner							1	1	1
12	297721	Decal, warning, more than one live circuit	1	1	1	1	1	1	1	1	1
13	GM22391	Rail, mounting	2	2	2	2	2	2			
13	GM33116	Rail, mounting							2	2	2
14	294414	Decal, notice cover transfer switch	1	1	1	1	1	1	1	1	1
15	362176	Decal, danger	1	1	1	1	1	1	1	1	1
16	X-6246-13	Decal, Kohler Power Systems	1	1	1	1	1	1	1	1	1
17	273746	Decal, transfer switch, Kohler	1	1	1	1	1	1	1	1	1
18	344295	Decal, equipment ground	1	1	1	1	1	1	1	1	1
19	X-22-12	Washer, lock, 0.262 ID x 0.743 in. OD	2	2	2	2	2	2	2	2	2
20	X-6207-3	Lug, terminal, aluminum	1	1	1	1	1	1	1	1	1
21	362113	Decal, engine start terminals	1	1	1	1	1	1	1	1	1
22	X-25-40	Washer, plain, 0.281 ID x 0.625 in. OD	1	1	1	1	1	1	1	1	1
23	X-6210-2	Nut, flange spirallock, 1/4-20	1	1	1	1	1	1	1	1	1
24	295010	Retainer	3	3	3						
24	320829	Insert, threaded, 5/16-18 in.				3	3	3			
24	320832	Insert, threaded, 1/2-13 in.							4	4	4
25	GM24703	Label, blank (not shown)	1	1	1	1	1	1	1	1	1
26	GM32650	Decal, ATS rating	1	1	1						
26	GM32651	Decal, ATS rating				1	1	1	1	1	1
27	GM32989	Decal, ATS connection	1	1	1	1	1	1	1	1	1
28	X-405-2	Terminal strip	1	1	1	1	1	1	1	1	1
29	X-67-152	Screw, tapping	2	2	2	2	2	2	2	2	2
30	GM47035	Plate, closure (not shown)	1	1	1	1	1	1	1	1	1

Enclosures, 30-800 Amp, NEMA 12, 4, 4X Module Number Key

Model Designation Code									
Model	Mechanism	Transition	Controls	Voltage	Poles	Enclosure	Current Rating	Connections	Module Number
K	S	P	A, B	all	all	D	100,200	S	GM46740-KA1
K	S	P	A, B	all	all	F	100,200	S	GM46740-KA2
K	S	P	A, B	all	all	B	100,200	S	GM46740-KA3
K	S	P	A, B	all	all	D	400	S	GM46741-KA1
K	S	P	A, B	all	all	F	400	S	GM46741-KA2
K	S	P	A, B	all	all	B	400	S	GM46741-KA3
K	S	P	A, B	all	all	D	600	S	GM46744-KA1
K	S	P	A, B	all	all	F	600	S	GM46744-KA2
K	S	P	A, B	all	all	B	600	S	GM46744-KA3

Enclosures, 1200 Amp and 1600 Amp Front-Mounted NEMA 1

1000 A Shown



6158_3

Enclosures, 1200 A and 1600 Amp Front-Mounted

NEMA 1

Item	Part Number	Description	Quantity			
			Module Number			
			GM21072-KA1	GM21072-KA2	GM21298-KA1	GM21298-KA2
1	X-67-114	Screw, hex washer, thread-forming	152	152	152	152
2	GM14052	Panel, back	3	3	3	3
3	GM14050	Panel, side	2	2	2	2
4	GM12568	Bracket, corner	8	8	8	8
5	GM20949	Panel, front	2	2	2	2
6	GM14049	Channel, back closure	2	2	2	2
7	GM14057	Bus, ground	1	1	1	1
8	GM12561	Channel, corner	4	4	4	4
10	GM14044	Channel, top and bottom	4	4	4	4
11	X-6210-9	Nut, flange spirallock, 3/8-16	4	4	4	4
12	X-25-37	Washer, plain, 0.406 ID x 0.812 in. OD	4	4	4	4
13	294414	Decal, notice cover transfer switch	1	1	1	1
14	320828	Insert, threaded, 1/4-20 in.	2	2	2	2
15	GM12595	Bracket, lifting	4	4	4	4
16	GM14039	Panel, top	1	1	1	1
17	X-465-8	Bolt hex cap	1	1		
17	X-6238-4	Bolt, hex cap			1	1
18	X-22-12	Washer, lock, 0.262 ID x 0.743 in. OD	5	5	5	5
19	X-6207-5	Lug, terminal, aluminum	3	3	3	3
20	X-83-7	Nut, hex, 3/8-16, zinc	3	3	3	3
21	X-25-118	Washer, plain, 0.406 ID x 1 in. OD	6	6	6	6
21	X-6086-6	Washer, spring, 0.39 ID x 0.81 in. OD	3	3	3	3
22	344295	Decal, equipment ground	1	1	1	1
23	X-67-148	Screw, hex washer, thread-forming	44	44	44	44
24	GM14046	Channel, top and bottom	4	4	4	4
25	GM20951	Panel, contactor mounting	1	1		
25	GM21319	Panel, contactor mounting			1	1
26	GM24703	Label, blank (not shown)	1	1	1	1
27	GM47802	Channel, CT mounting		1		1
28	GM14054	Channel, neutral support		1		1

Enclosures, 1000-1200 Amp and 1600 Amp Front-Mounted

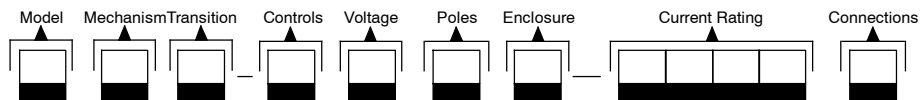
Module Number Key

Model Designation Code									Module Number
Model	Mechanism	Transition	Controls	Voltage	Poles	Enclosure	Current Rating	Connections	
K	C	C, S, P	A,B,D,F	all	all	A	1200	S	GM21072-KA1
K	C	C, S, P	A,B,D,F	all	all	A	1200	S	GM21072-KA2*
K	C	C, S, P	A,B,D,F	all	all	A	1600-2000	F	GM21298-KA1
K	C	C, S, P	A,B,D,F	all	all	A	1600-2000	F	GM21298-KA2*

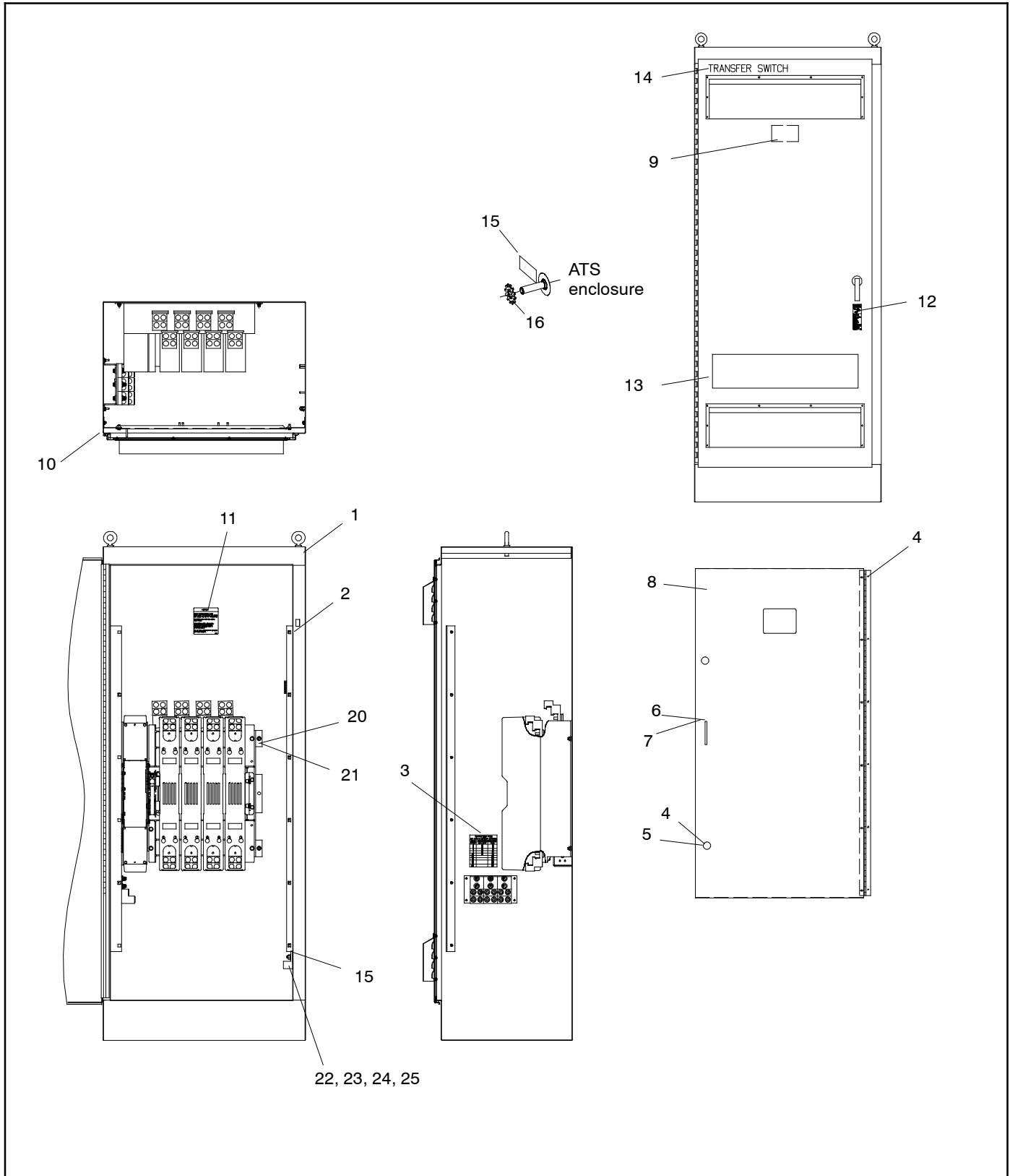
Please refer to instructions on page 5 for an explanation of how to use this table.

* Seismic units.

Model Designation



Enclosures, 1200 Amp and 1600-2000 Front-Mounted NEMA 3R, 4, 4X, 12



Enclosures, 1200 Amp and 1600-2000 Front-Mounted NEMA 3R, 4, 4X, 12

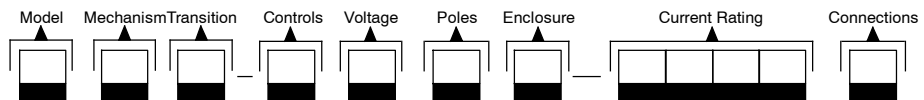
Item	Part Number	Description	Quantity				
			Module				
			GM46746-KA1	GM46748-KA1	GM46747-KA1	GM46747-KA2	GM46747-KA3
1	GM48052	Enclosure, NEMA 3R	1				
1	GM48053	Enclosure, NEMA 3R		1			
1	GM47839	Enclosure, NEMA 4			1		
1	GM47840	Enclosure, NEMA 4X				1	
1	GM47841	Enclosure, NEMA 12					1
2	X-6204-1	Retainer, nut	8	8	8	8	8
3	297556	Decal, torque	1	1	1	1	1
4	X-791-2	Screw, slotted hex washer head	8	8	8	8	8
5	295009	Retainer	2	2	2	2	2
6	GM14177	Handle	1	1	1	1	1
7	X-50-6	Screw, slotted pan head machine	2	2	2	2	2
8	GM31240	Door, ATS inner	1	1	1	1	1
9	297721	Decal, warning	1	1	1	1	1
10	GM22734	Rail, mounting	2				
10	GM31242	Rail, mounting		2	2	2	2
11	294414	Decal, notice cover transfer switch	1	1	1	1	1
12	362176	Decal, danger	1	1	1	1	1
13	X-6246-14	Decal, Kohler Power Systems	1	1	1	1	1
14	273746	Decal, transfer switch, Kohler	1	1	1	1	1
15	344295	Decal, equipment ground	1	2	1	1	1
16	X-22-12	Washer, lock, 0.262 ID x 0.743 in. OD	1	1	1	1	1
20	X-25-37	Washer	4	6	4	4	4
21	X-6210-9	Nut, flange spirallock, 3/8-16	4	6	4	4	4
22	X-6207-14	Lug, terminal	1	1	1	1	1
23	X-25-20	Washer, flat 0.312 ID x 0.75 OD	2	2	2	2	2
24	X-6086-24	Washer, spring	2	2	2	2	2
25	X-81-10	Nut, hex, 1/4-20	2	2	2	2	2
26	GM47035	Plate, closure (not shown)	1	1	1	1	1

Enclosures, 1000-1200 A and 1600 Amp Front-Mounted Module Number Key

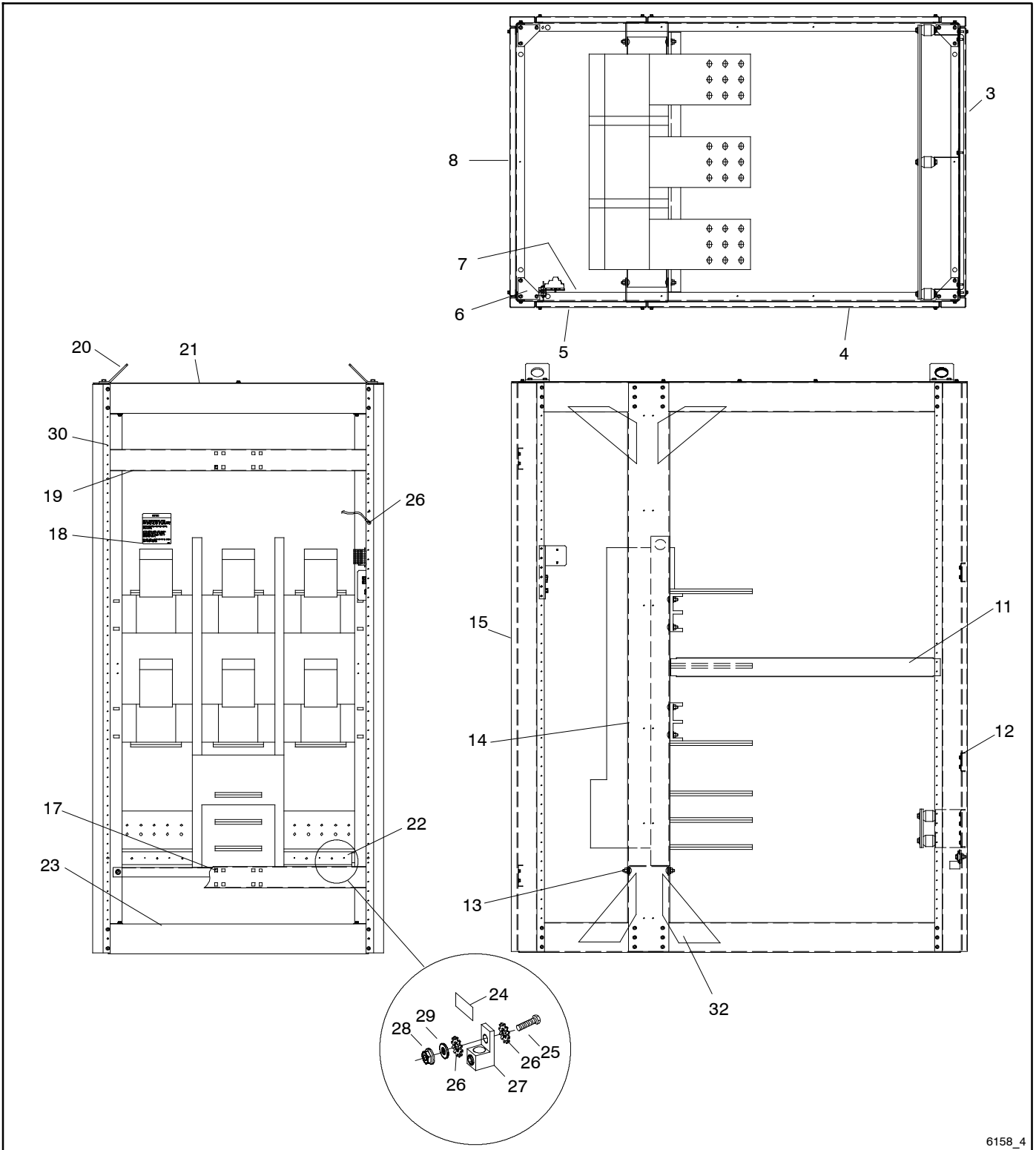
Model Designation Code									Module Number
Model	Mechanism	Transition	Controls	Voltage	Poles	Enclosure	Current Rating	Connections	
K	C	C, P, S	A,B,D,F	all	all	C	1200	S	GM46746-KA1
K	C	C, P, S	A,B,D,F	all	all	D	1200	S	GM46747-KA1
K	C	C, P, S	A,B,D,F	all	all	F	1200	S	GM46747-KA2
K	C	C, P, S	A,B,D,F	all	all	B	1200	S	GM46747-KA3
K	C	C, P, S	A,B,D,F	all	all	C	1600-2000	F	GM46748-KA1

Please refer to instructions on page 5 for an explanation of how to use this table.

Model Designation



Enclosures, 1600-4000 Amp NEMA 1



6158_4

Enclosures, 1600-4000 Amp NEMA 1

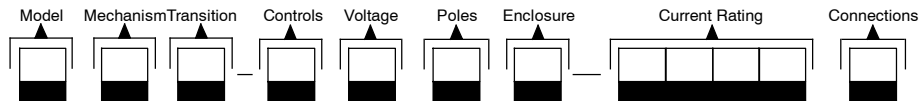
Item	Part Number	Description	Quantity				
			Module				
			GM21073-KA1	GM21073-KA2	GM21074-KA1	GM21074-KA2	GM21075-KA1
3	GM14052	Panel, back	3	3	3	3	
3	GM12581	Panel, back					3
4	GM12574	Panel, side, back	4	4			
4	GM14050	Panel, side			2	2	
4	GM12575	Panel, side, back					4
5	GM12573	Panel, side, front	2	2	2	2	
5	GM21017	Panel, side					2
6	GM12568	Bracket, corner	8	8	8	8	8
7	GM21014	Channel, top and bottom, side	4	4			
7	GM14045	Channel, top and bottom			4	4	
7	GM21021	Channel, top and bottom, side					4
8	GM20949	Panel, front	2	2	2	2	
8	GM20996	Panel, front					2
11	GM21016	Channel, back closure	2	2			
11	GM21023	Channel, back closure					2
12	GM14049	Channel, back closure	2	2	2	2	
12	GM12578	Channel, back closure					2
13	GM49667	Channel, contactor support					2
13	GM60097	Plate, support SEISMIC		1		1	
14	GM20952	Channel, contactor mounting	2	2	2	2	
14	GM21018	Channel, contactor mounting					2
15	GM12561	Channel, corner	4	4	4	4	4
17	X-6204-1	Retainer, nut					2
18	294414	Decal, notice cover transfer switch	1	1	1	1	1
19	GM21034	Channel, door closure					2
20	GM12595	Bracket, lifting	4	4	4	4	4
21	GM14041	Panel, top	1	1			
21	GM14040	Panel, top			1	1	
21	GM14042	Panel, top					1
22	GM14057	Bus, ground	1	1	1	1	
22	GM21024	Bus, ground					1
23	GM14044	Channel, top and bottom	4	4	4	4	
23	GM12567	Channel, top and bottom, front/back					4
24	344295	Decal, equipment ground	1	1	1	1	1
25	X-6238-4	Bolt, hex cap	1	1	1	1	1
26	X-22-12	Washer, lock, 0.262 ID x 0.743 in. OD	5	5	5	5	5
27	X-6207-5	Lug, terminal, aluminum	3	3	3	3	3
28	X-83-7	Nut, hex, 3/8-16, zinc	3	3	3	3	3
29	X-25-118	Washer, plain, 0.406 ID x 1 in. OD	6	6	6	6	6
29	X-6086-6	Washer, spring, 0.39 ID x 0.81 in. OD	3	3	3	3	3
30	320828	Insert, threaded, 1/4-20 in.	2	2	2	2	2
31	GM24703	Label, blank (not shown)	1	1	1	1	1
32	GM60099	Brace, support SEISMIC		8		8	

Enclosures, 1600-4000 Amp Module Number Key

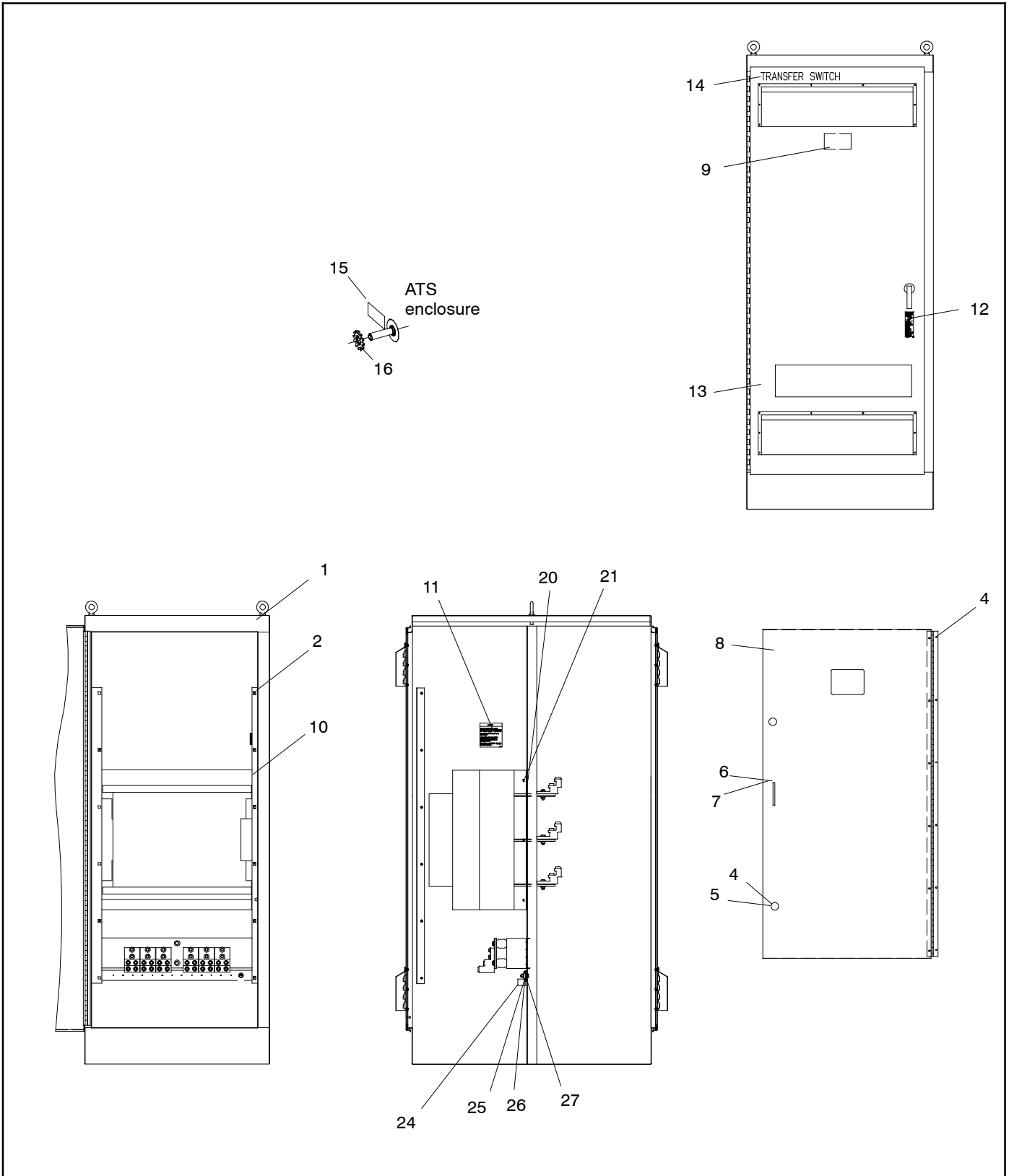
Model Designation Code									Module No.
Model	Mech.	Transition	Controls	Voltage	Poles	Enclosure	Current Rating	Connections	
K	C	C, P, S	A,B,D,F	all	all	A	1600-2000	S	GM21073-KA1
K	C	C, P, S	A,B,D,F	all	all	A	1600-2000	S	GM21073-KA2
K	C	C, P, S	A,B,D,F	all	all	C	1600-2000	S	GM46749-KA1
K	C	C, P, S	A,B,D,F	all	all	A	2600-3000	S	GM21074-KA1
K	C	C, P, S	A,B,D,F	all	all	A	2600-3000	S	GM21074-KA2
K	C	C, P, S	A,B,D,F	all	all	C	2600-3000	S	GM46750-KA1
K	C	C, P, S	D	all	all	A	4000	S	GM21075-KA1
K	C	C, P, S	A,B,D,F	all	all	A	4000	S	GM73520-KA1

Please refer to instructions on page 5 for an explanation of how to use this table.

Model Designation



Enclosures, 1600-3000 Amp NEMA 3R



Enclosures, 1600-3000 Amp NEMA 3R

Item	Part Number	Description	Quantity		
			GM46749-KA1	GM46750-KA1	GM73520-KA1
1	GM48054	Enclosure, NEMA 3R	1		
1	GM48055	Enclosure, NEMA 3R		1	
2	X-6204-1	Retainer, nut	8	8	
3	297556	Decal, torque (not shown)	1	1	1
4	X-791-2	Screw, slotted hex washer head	8	8	
5	295009	Retainer	2	2	
6	GM14177	Handle	1	1	
7	X-50-6	Screw, slotted pan head machine	2	2	
8	GM31240	Door, ATS inner	1	1	
9	297721	Decal, warning	1	1	1
10	GM31242	Rail, mounting	2	2	
11	294414	Decal, notice cover transfer switch	1	1	1
12	362176	Decal, danger	1	1	1
13	X-6246-14	Decal, Kohler Power Systems	1	1	1
14	273746	Decal, transfer switch, Kohler	1	1	1
15	344295	Decal, equipment ground	1	1	
16	X-22-12	Washer, lock, 0.262 ID x 0.743 in.	5	5	
20	X-25-37	Washer	6	6	
21	X-6210-9	Nut, flange spirallock, 3/8-16	6	6	
22	GM14057	Bus, ground	1	1	
23	X-67-144	Screw, hex washer, thread-forming	4	4	
24	X-6207-5	Lug, terminal, aluminum	3	3	
25	X-83-7	Nut, hex, 3/8-16	3	3	
26	X-25-118	Washer, plain, 0.406 ID x 1 in. OD	6	6	
27	X-6086-6	Washer, spring, 0.39 ID x 0.81 OD	3	3	
28	GM47035	Plate, closure (not shown)	1	1	

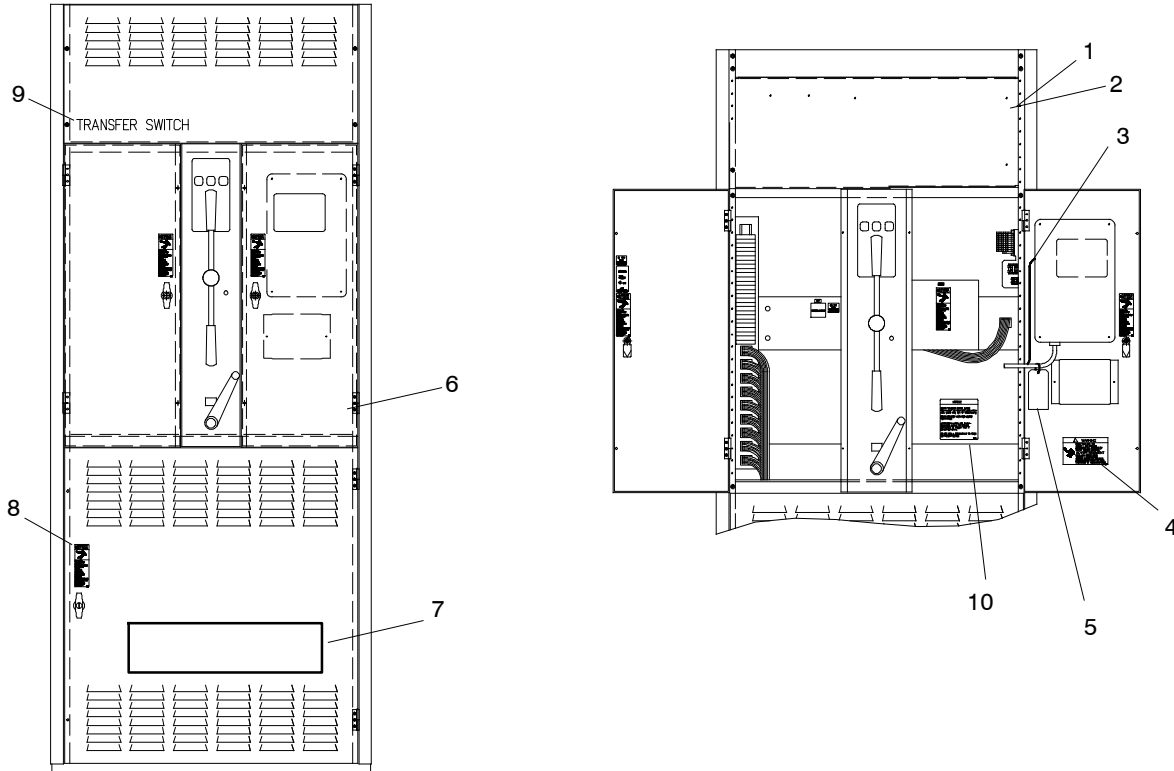
Enclosures, 1600-4000 Amp Module Number Key

Model Designation Code									
Model	Mech.	Transition	Controls	Voltage	Poles	Enclosure	Current Rating	Connections	Module No.
K	C	C, P, S	A,B,D,F	all	all	A	1600-2000	S	GM21073-KA1
K	C	C, P, S	A,B,D,F	all	all	A	1600-2000	S	GM21073-KA2
K	C	C, P, S	A,B,D,F	all	all	C	1600-2000	S	GM46749-KA1
K	C	C, P, S	A,B,D,F	all	all	A	2600-3000	S	GM21074-KA1
K	C	C, P, S	A,B,D,F	all	all	A	2600-3000	S	GM21074-KA2
K	C	C, P, S	A,B,D,F	all	all	C	2600-3000	S	GM46750-KA1
K	C	C, P, S	D	all	all	A	4000	S	GM21075-KA1
K	C	C, P, S	A,B,D,F	all	all	A	4000	S	GM73520-KA1

Please refer to instructions on page 5 for an explanation of how to use this table.

Enclosures, Bypass Isolation (KB_)

1000-3000 A Shown



6158_5

Item	Part Number	Description	Quantity	
			Module Number	Module Number
			GM22373-KA1	GM73522-KA1
1	GM21365	Pan, mounting	1	
2	X-67-114	Screw, hex washer, thread-forming	8	
3	GM23503	Harness, bypass	1	
4	297721	Decal, CSA	1	1
5	See logic section	Tag, hang (before reconnecting plug)	1	
6	GM21045	Door, left bypass switch	1	
6	GM21046	Door, right bypass switch	1	
7	X-6246-14	Decal, Kohler Power Systems	1	1
8	362176	Decal, danger	2	1
9	273746	Decal, transfer switch, Kohler	1	1
10	294414	Decal, notice cover transfer switch	1	1
11	GM24703	Label, blank	1	2
12	297556	Decal, torque (not shown)		1

Enclosures, Bypass Isolation (KB_)

Item	Part Number	Description	Quantity			
			Module Number			
			GM22536-KA1	GM58752-KA1	GM22537-KA1	GM22540-KA1
3	GM23503	Harness, bypass	1	1	1	1
4	297721	Decal, warning	1	1	1	1
5	See logic section	Tag, hang (before reconnect. plug)	1	1	1	1
6	GM21051	Door, bypass switch	1			
6	GM55250	Door, bypass control		1		
6	GM55251	Door, bypass upper		1		
6	GM21050	Door, bypass switch			1	
6	GM21053	Door, bypass switch				1
7	X-6246-14	Decal, Kohler Power Systems	1	1	1	2
8	362176	Decal, danger	1	3	1	2
9	273746	Decal, Transfer Switch	1	1	1	2
10	294414	Decal, notice cover transfer switch	1	1	1	1
11	GM24703	Label, blank (not shown)	1	2	1	1

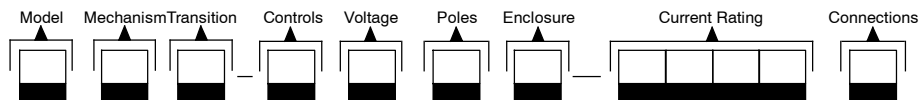
Item	Part Number	Description	Quantity
			Module Number
			GM34924-KA1
3	GM23503	Harness, bypass	1
4	297721	Decal, warning	1
5	See logic section	Tag, hang (before reconnect. plug)	1
6	GM34926	Door, bypass switch	1
7	X-6246-14	Decal, Kohler Power Systems	2
8	362176	Decal, danger	2
9	273746	Decal, Transfer Switch	2
10	294414	Decal, notice cover transfer switch	1
11	GM24703	Label, blank (not shown)	1

Enclosures, Bypass Isolation Module Number Key

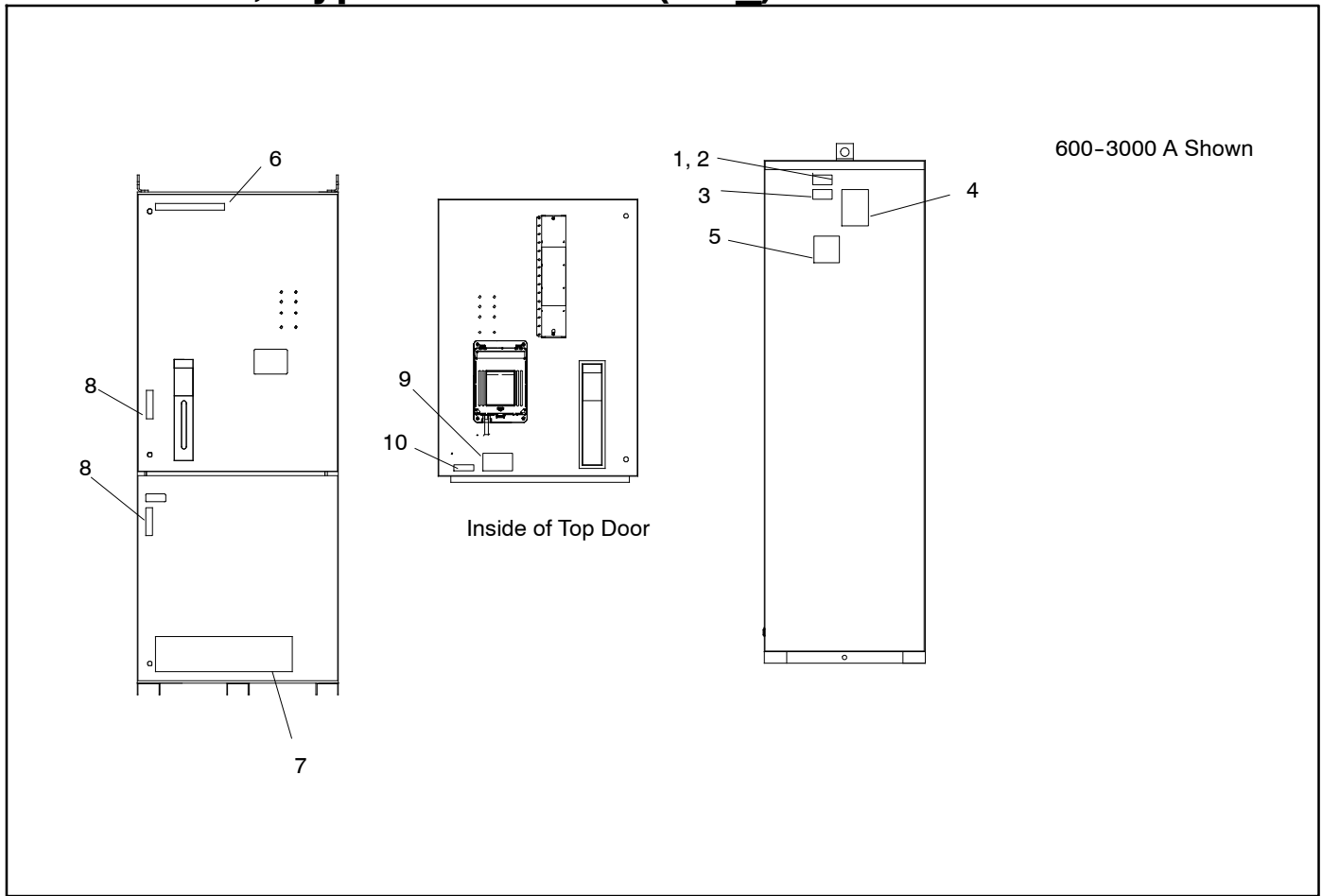
Model Designation Code									Module Number
Model	Mechanism	Transition	Controls	Voltage	Poles	Enclosure	Current Rating	Connections	
K	B	C, P, S	D, F	all	all	A	150-600	B	GM58752-KA1
K	B	C, P, S	D, F	all	all	A	800	F	GM34924-KA1
K	B	C, P, S	D, F	all	all	A	800-1200	S	GM34924-KA1
K	B	C, P, S	D, F	all	all	A	1600-3000	S	GM22373-KA1
K	B	C, P, S	D	all	all	A	4000	S	GM73522-KA1
K	G	P, S	D	all	all	A	150-400	S	GM46721-KA1
K	G	P, S	D	all	all	A	600-1200	S	GM46722-KA1
K	G	P, S	D	all	all	A	1600-3000	S	GM46723-KA1

Please refer to instructions on page 5 for an explanation of how to use this table.

Model Designation



Enclosures, Bypass Isolation (KG_)

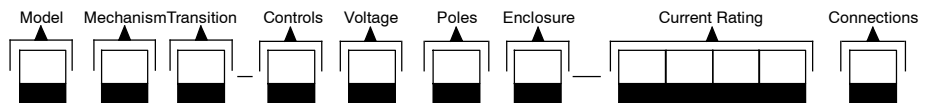


Enclosures, Bypass Isolation (KG_)

Item	Part Number	Description	Quantity		
			Module Number		
			GM46721-KA1	GM46722-KA1	GM46723-KA1
1	X-22-12	Washer, lock, 0.262 ID x 0.732 in. OD	1	1	
2	X-6207-3	Lug, terminal, aluminum	1	1	
3	344295	Decal, equipment grd.	1	1	1
4	297556	Decal, torque	1	1	
5	294414	Decal, notice	1	1	1
6	273746	Decal, transfer switch	1	1	1
7	X-6246-14	Decal, Kohler Power Systems	1	1	1
8	362176	Decal, danger	2	2	2
9	297721	Decal, CSA	1	1	
10	GM24703	Label, blank	2	2	2

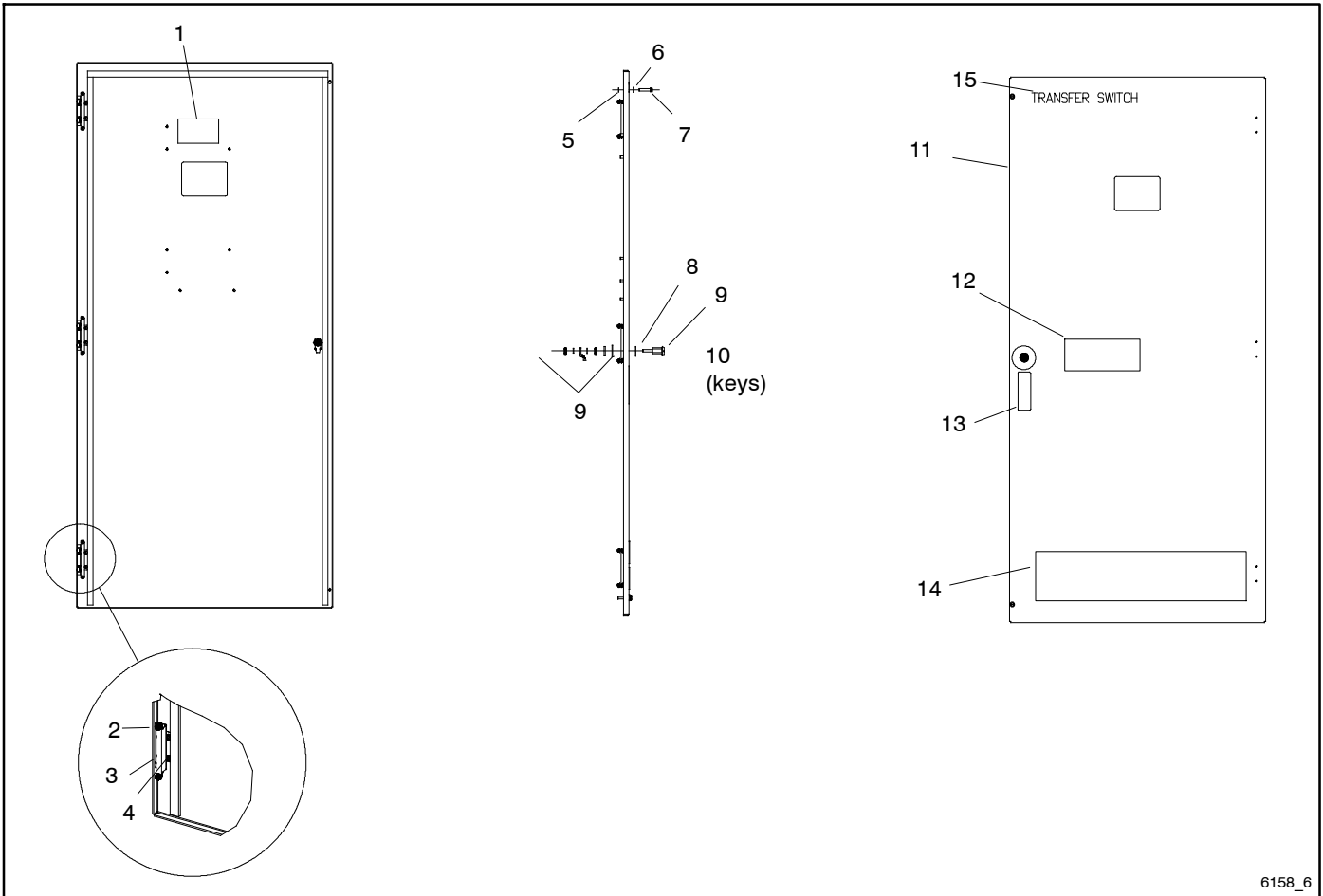
Please refer to instructions on page 5 for an explanation of how to use this table.

Model Designation



Door

NEMA 1 and 3R



6158_6

Item	Part Number	Description	Quantity	
			GM21076-KA1	GM21077-KA1
1	297721	Decal, warning	1	1
2	295098	Screw, flat countersunk, head machine	16	32
3	GM20572	Hinge, ATS enclosure	4	
3	297600	Hinge, split	4	4
3	297601	Hinge, split, left		4
5	295009	Retainer	2	2
7	X-791-3	Screw, slotted hex washer head, machine	2	
7	X-791-2	Screw, slotted hex washer head, machine		2
9	GM20885	Latch, compression, T-handle, locking	1	1
11	GM12602	Door, enclosure, left		1
11	GM14047	Door, enclosure, right		1
11	GM20950	Door, enclosure	1	
13	362176	Decal, danger	1	1
14	X-6246-14	Decal, Kohler Power Systems	1	1
15	273746	Decal	1	1

Door NEMA 1 and 3R

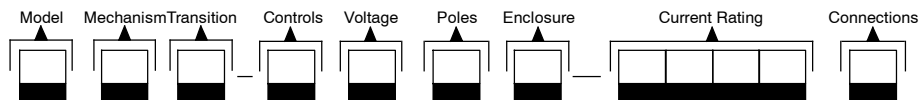
Item	Part Number	Description	Quantity						
			Module						
			GM21069-KA1	GM21069-KA2	GM21292-KA1	GM21292-KA2	GM21293-KA1	GM21293-KA2	GM28764-KA1
1	297721	Decal, warning	1	1	1	1	1	1	1
2	X-50-1	Screw, slotted pan head machine	4	4	3	3	6	6	6
3	GM20572	Hinge, ATS enclosure	2	2	6	6	3	3	3
4	X-22-9	Washer, lock, 0.20 ID x 0.373 in. OD	4	4	6	6	6	6	6
4	X-70-3	Nut, hex machine screw, 10-32	4	4	2	2	6	6	6
5	295009	Retainer	2	2	2	2	2	2	2
6	X-25-40	Washer, plain, 0.281 ID x 0.625 in. OD	2	2	2	2	2	2	2
7	X-791-3	Screw, slotted hex washer head, machine	2	2	1	1	2	2	2
8	GM20575	Gasket, compression latch	1	1	1	1	1	1	1
9	GM20573	Latch, compression	1	1	2	2	1	1	1
10	GM20574	Key, compression latch	2	2	1	1	2	1	2
11	GM20166	Door, enclosure					1	1	
11	GM28763	Door, enclosure							1
13	362176	Decal, danger	1	1	1	1	1	1	1
11	GM21523	Door, enclosure silkscreen	1						
11	GM21524	Door, enclosure		1					
11	GM21525	Door, silkscreen			1				
11	GM21526	Door, silkscreen				1			
14	X-6246-14	Decal, Kohler Power Systems					1	1	
14	X-6246-4	Decal, Kohler Power Systems							1
15	273746	Decal					1	1	
15	GM21373	Decal							1

Door, NEMA1 and 3R Module Number Key

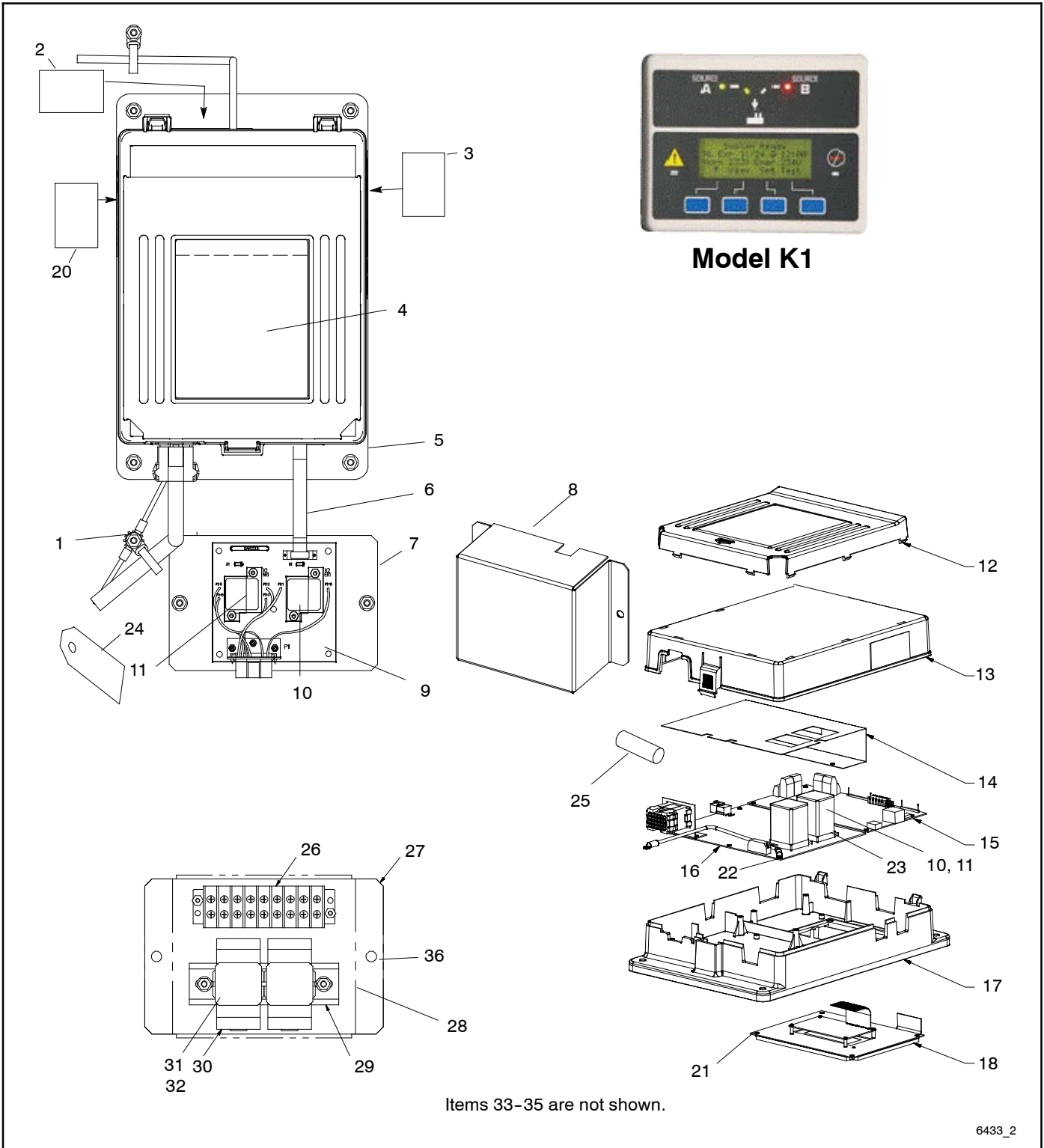
Model Designation Code									
Model	Mechanism	Transition	Controls	Voltage	Poles	Enclosure	Current Rating	Connection	Module Number
K	C, S	S	A,B,D,F,J	all	N, T, V, W, Z	A	30-225	S	GM21069-KA1
K	C, S	S	A,B,D,F,J	all	N, T, V, W, Z	C	30-225	S	GM21069-KA2
K	C	S	A,B,D,F	all	N, T, V, W, Z	A	230-400	S	GM21292-KA1
K	C	S	A,B,D,F	all	N, T, V, W, Z	C	230-400	S	GM21292-KA2
K	C	S	A,B,D, F	all	N	A, C	230	B	GM28764-KA1
K	C	S	A,B,D, F	all	T, V, W, Z	A, C	260-600	B	GM28764-KA1
K	S	S	A,B,D,F,J	all	N, T, V, W, Z	A	260-400	S	GM21292-KA1
K	S	S	A,B,D,F,J	all	N, T, V, W, Z	C	260-400	S	GM21292-KA2
K	C	P	A,B,D, F	all	N, T, Z	A, C	150-400	S	GM28764-KA1
K	C	P	A,B,D, F	all	V, W	A, C	150-400	S	GM21293-KA1
K	C	C, P	A,B,D, F	all	N, T, V, W, Z	A, C	150-600	B	GM28764-KA1
K	C	C, P, S	A,B,D, F	all	N, T, V, W, Z	A, C	600-1000	S	GM21293-KA1
K	C	S	F	all	N, T, V, W, Z	A	600-1000	S	GM21293-KA2
K	C	C, P, S	A,B,D, F	all	N, T, V, W, Z	A	1200-3000	S	GM21076-KA1
K	C	P, S	A,B,D, F	all	N, T, V, W, Z	A	4000	S	GM21077-KA1
K	S	P, S	A,B,D, F, J	all	N, T, V	A, C	600	S	GM28764-KA1
K	S	P	A,B,D, F	all	N, T, V	A	100-400	S	GM21292-KA1
K	S	P	A,B,D, F	all	N, T, V	C	100-400	S	GM21292-KA2
K	S	S	A,B,D, F, J	all	N, T, V, W, Z	A, C	800-1000	S	GM21293-KA1

Please refer to instructions on page 5 for an explanation of how to use this table.

Model Designation



Logic Model K1



Model K1

Logic Model K1

Item	Part Number	Description	Quantity			
			Module			
			GM46257-MA1	GM46257-MA3	GM46257-MA5	GM49013-KA1
1	X-22-12	Washer, lock, 0.262 ID x 0.743 in. OD	1	1	1	
2	GM40574	Decal, Modbus	1	1	1	
3	GM40572	Decal, comm ports	1	1	1	
4	GM21291	Decal, nameplate	1	1	1	
5	GM46733-1	Logic assembly (includes items 2, 3, 10-23)	1	1		
5	GM46733-2	Logic assembly (includes items 2, 3, 12-22)			1	
6	GM21340	Ribbon cable assembly		1		
7	GM21391	Plate, mounting		1		
8	GM21392	Cover, PT		1		
9	GM21268	PCB assembly, PTIB-T340		1		
10	295253	Relay, 12VDC, 10A	2	4	2	
11	269972	Clip, relay	2	4	2	
12	GM21358	Holder, literature	1	1	1	
13	GM21357	Cover, logic	1	1	1	
14	GM46752	Insulation, power PCB	1	1	1	
15	GM46715	PCB assembly, main logic board	1	1	1	
16	GM46324-1	PCB assembly, power board	1	1		
16	GM46975-1	PCB assembly, power board			1	
17	GM46580	Carrier, logic	1	1	1	
18	GM46892	Display/membrane switch	1	1	1	
19	GM47162	Cable assembly, ribbon, 40-pos.	1	1	1	
20	GM40573	Decal, programmable I/O	1	1	1	
21	GM21374	Screw, plastic tapping, flat head, 12.7 mm	4	4	4	
22	GM23307	Screw, plastic tapping, round head, 9.53 mm	10	10	11	
23	GM23312	Screw, plastic tapping, round head, 12.7 mm			4	
24	297949	Tag, hang ("Before reconnecting plug...")	1	1	1	
25	GM47057*	Battery, backup main logic board (4.1V)	1	1	1	
36	GM49358	Service kit, MPAC 1500 (includes items 1, 5, and instructions)	1	1		
36	GM49359	Service kit, MPAC 1500 (includes items 1, 5, and instructions)			1	
26	295313	Terminal block				1
27	GM49014	Plate, relay mounting				1
28	GM49015	Cover, relay assembly				1
29	GM41099	Rail, DIN				1
30	X-6124-4	Socket				2
31	295253	Relay, 12VDC, 10A				2
32	X-6124-5	Strap, holddown				2
33	GM49016	Harness, wiring PT1P				1
34	GM49180	Harness, wiring PT1				1
35	GM49185	Harness, wiring PT2				1
36	295009	Retainer				2

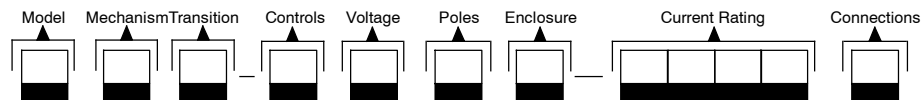
* Main logic board does not use backup battery as of 2/5/2009.

Logic Module Number Key

Model Designation Code									Module Number
Model	Mechanism	Transition	Controls	Voltage	Poles	Enclosure	Current Rating		
K	B, C, S	S	D	all	all	all	all		GM46257-MA1
K	B, C, S	C, P	D	all	all	all	all		GM46257-MA3
K	G	P, S	D	all	all	all	all		GM46257-MA5
K	G	P	D	all	all	all	150-400		GM49013-KA1

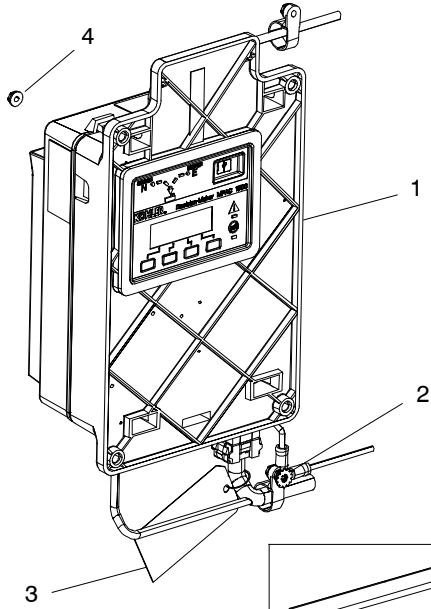
Please refer to instructions on page 5 for an explanation of how to use this table.

Model Designation



Logic, continued

Decision-Maker MPAC



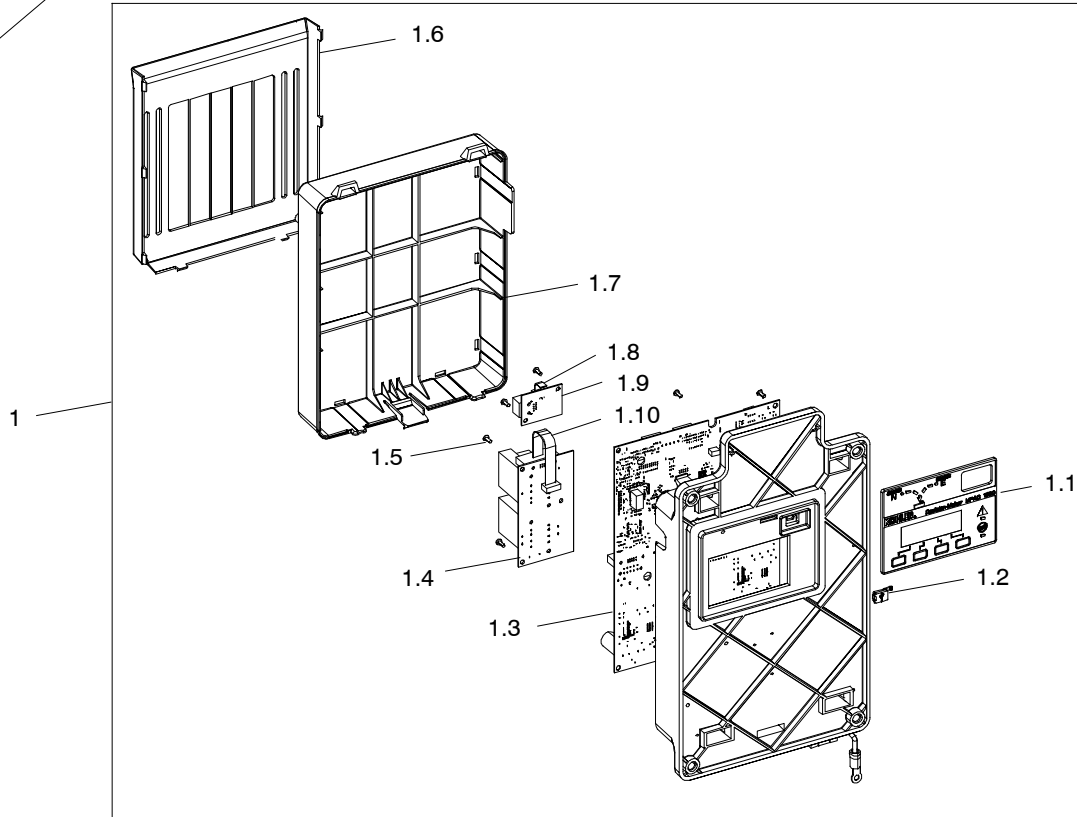
ATS750



ATS1200



ATS1500



GM89839

Logic, continued Decision-Maker MPAC

Item	Part Number	Description	Quantity						
			Module						
			GM89839-MA1	GM89839-MA2	GM89839-MA3	GM89839-MA4	GM89839-MA5	GM89839-MA6	
1	GM93604	Service MPAC 1500, Standard Transition	1						
1	GM93605	Service MPAC 1200, Standard Transition		1					
1	GM93606	Service MPAC 750, Standard Transition			1				
1	GM93607	Service MPAC 1500, Prog & Closed Transition				1			
1	GM93608	Service MPAC 1200, Prog & Closed Transition					1		
1	GM93609	Service MPAC 1500, Type G BIS, Std & Prog							1
1.1	-	Display/Membrane Switch (order item 1)	1	1	1	1	1	1	1
1.2	GM60403	Plug, USB	1	1	1	1	1	1	1
1.3	-	PCB ASSY, MPAC MLB Power/Control (order item 1)	1	1	1	1	1	1	1
1.4	GM93610	Service MPAC PTIB				1	1		
1.5	GM23307	Screw, Plastic Tapping, 6-19 x 0.375	11	9	9	14	12	11	11
1.6	GM21358	Holder, Literature	1	1	1	1	1	1	1
1.7	GM85881	Cover, Logic	1	1	1	1	1	1	1
1.8	GM87488	Cable, 1mm FFC jumper, 4 in.	1			1	1	1	1
1.9	-	PCB Assy, MPAC Ethernet Interface (order item 1)	1			1			1
1.10	GM87827	Cable Assy, Ribbon, 10-Position				1	1		
2	X-22-12	Washer, lock.262 IDx.743 in.OD	1	1	1	1	1	1	1
3	297949	Tag, hang	1	1	1	1	1	1	1
4	X-6210-2	Nut, flange spirallock, 1/4-20	6	6	6	6	6	6	6

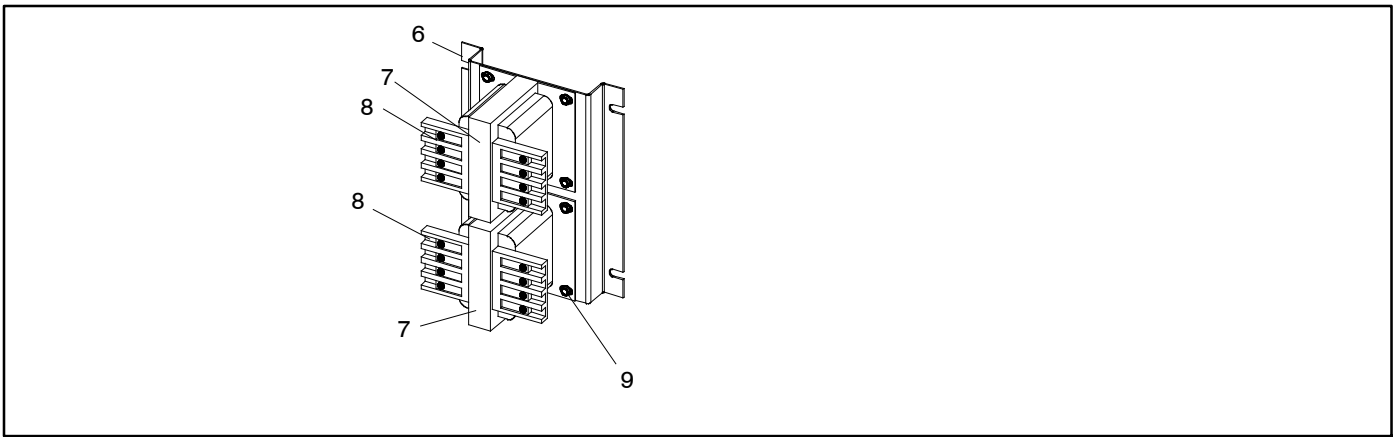
Logic

Module Number Key

Model Designation Code									Module Number
Model	Mechanism	Transition	Controls	Voltage	Poles	Enclosure	Current Rating		
K	C,B	S	D,F	all	all	all	all		GM89839-MA1
K	C,S	S	A,B	all	all	all	all		GM89839-MA2
K	S	S	J	all	all	all	all		GM89839-MA3
K	B,C	P,C	D,F	all	all	all	all		GM89839-MA4
K	S	P	A,B	all	all	all	all		GM89839-MA5
K	C	P,C	A,B	all	all	all	all		GM89839-MA5
K	G	S,P	D,F	all	all	all	all		GM89839-MA6

Please refer to instructions on page 5 for an explanation of how to use this table.

Transformers



Transformer, Series-Rated Programmed-Transition

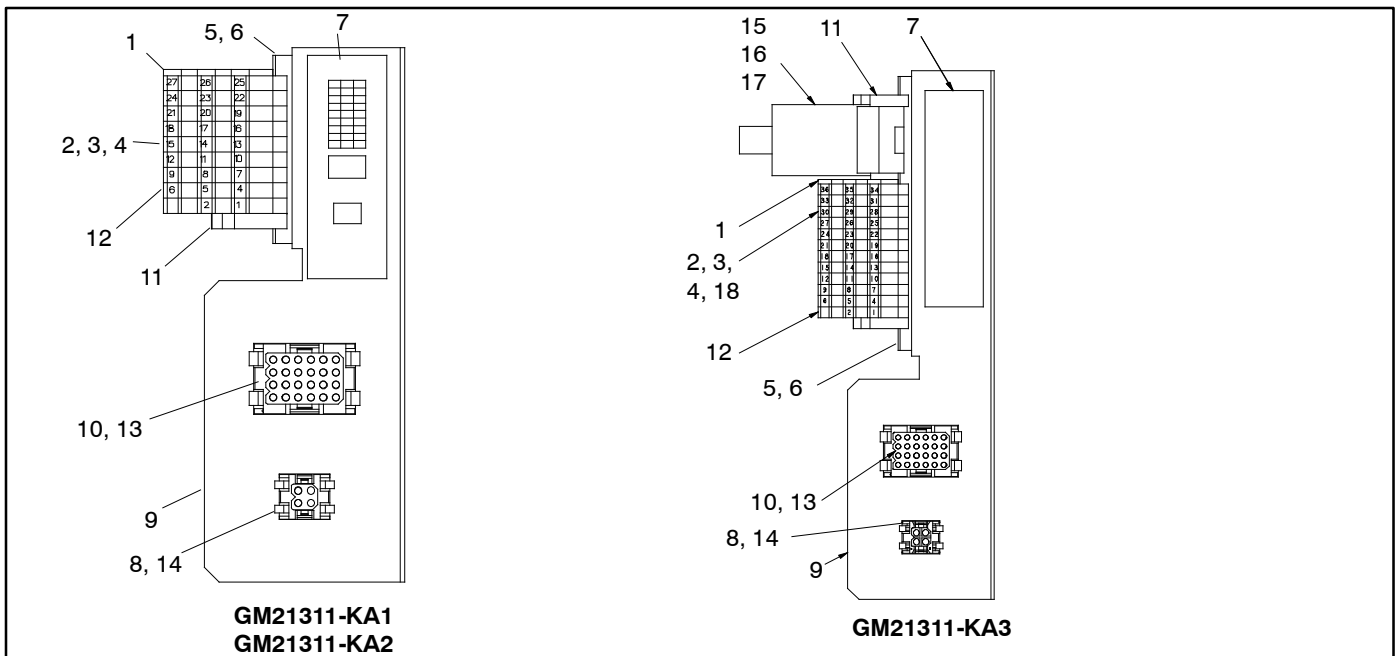
Item	Part Number	Description	Quantity							
			Module							
			GM29904-KA1	GM29904-KA2	GM29904-KA3	GM29904-KA4	GM29904-KA5	GM29904-KA6	GM29904-KA7	GM29904-KA8
6	GM30000	Bracket, transformer mounting	1	1	1	1	1	1	1	1
7	GM29213	Transformer (480 V primary, 240 V secondary)	2							
7	GM29214	Transformer (480 V primary, 240 V secondary)		2						
7	GM29215	Transformer (480 V primary, 240 V secondary)			2					
7	GM29216	Transformer (480 V primary, 240 V secondary)				2				
7	GM29217	Transformer (380 V primary, 240 V secondary)					2			
7	GM29218	Transformer (380 V primary, 240 V secondary)						2		
7	GM29219	Transformer (380 V primary, 240 V secondary)							2	
7	GM29220	Transformer (380 V primary, 240 V secondary)								2
8	GM26856	Guard, terminal	2				2			
8	GM29221	Guard, terminal		2	2	2	2	2	2	2
9	X-67-113	Screw, hex washer, thread-forming	8	8	8	8	8	8	8	8

Transformers Module Number Key

Model Designation Code								Current Rating	Module Number
Model	Mechanism	Transition	Controls	Voltage	Poles	Enclosure			
K	S	P	D, F	K, M	N, T	all	100	GM29904-KA1	
K	S	P	D, F	K, M	V	all	100	GM29904-KA2	
K	S	P	D, F	K, M	N, T	all	200/400	GM29904-KA2	
K	S	P	D, F	K, M	V	all	200	GM29904-KA3	
K	S	P	D, F	K, M	V	all	400	GM29904-KA4	
K	S	P	D, F	K, M	N, T, V	all	600	GM29904-KA4	
K	S	P	D, F	G, H, J	N, T	all	100	GM29904-KA5	
K	S	P	D, F	G, H, J	V	all	100	GM29904-KA6	
K	S	P	D, F	G, H, J	N, T	all	200/400	GM29904-KA6	
K	S	P	D, F	G, H, J	V	all	200	GM29904-KA7	
K	S	P	D, F	G, H, J	V	all	400	GM29904-KA8	
K	S	P	D, F	G, H, J	N, T, V	all	600	GM29904-KA8	

Please refer to instructions on page 5 for an explanation of how to use this table.

Field Connection Block



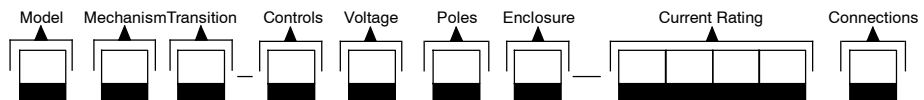
Item	Part Number	Description	Quantity		
			GM21311-KA1	GM21311-KA2	GM21311-KA3
1	GM21315	End section	1	1	1
2	GM22883	Strip, marker (1-10)	1	1	1
3	GM22884	Strip, marker (11-20)	1	1	1
4	GM22885	Strip, marker (21-30)	1	1	1
5	GM21339	Rail, DIN	1	1	
5	GM47488	Rail, DIN			1
6	X-67-113	Screw, hex washer, thread-forming	2	2	2
7	GM22491	Decal	1		
7	GM49198	Decal, field connection "G" bypass		1	
7	GM71424	Decal			1
8	GM21312	Connector, 4-position	1		
9	GM21338	Bracket, field connection kit	1	1	
9	GM71422	Bracket, field connection			1
10	295145	Connector, 24-position	1	1	
11	321025	Stop, end	1	1	2
12	GM21313	Block, terminal	9	5	12
13	GM21317	Harness	1		1
13	GM51339	Harness		1	
14	GM21318	Harness	1		1
15	GM71423	Relay, time delay			1
16	X-6124-4	Socket			1
17	X-6124-5	Strap, holddown			1
18	GM71427	Strip, marker (31-40)			1

Field Connection Block Module Number Key

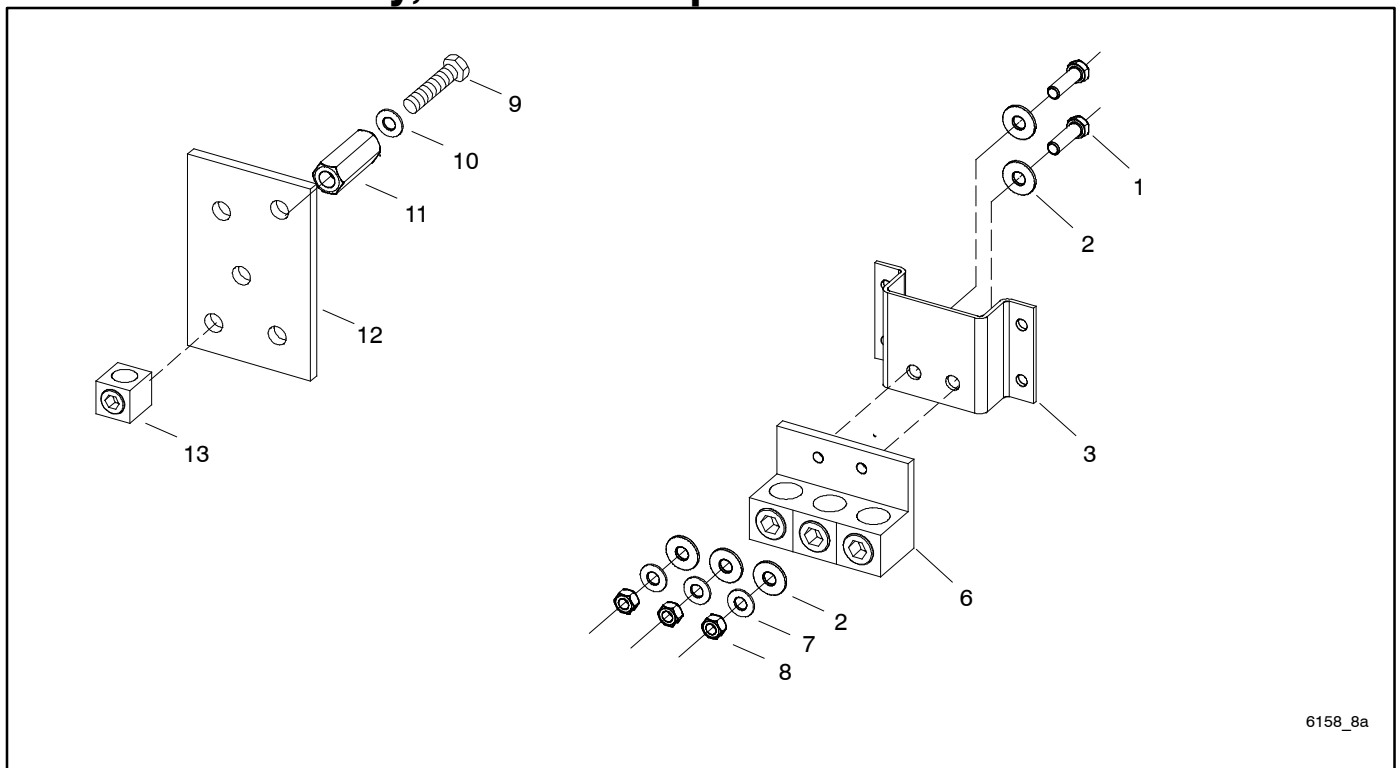
Model Designation Code								Module Number
Model	Mechanism	Transition	Controls	Voltage	Poles	Enclosure	Current Rating	
K	C	S	D, F	all	all	all	600-4000	GM21311-KA1
K	C	P	D, F	all	all	all	150-4000	GM21311-KA1
K	B	P, S	D, F	all	all	all	150-4000	GM21311-KA1
K	G	P, S	D, F	all	all	all	150-4000	GM21311-KA2
K	B, C	C	D, F	all	all	all	150-3000	GM21311-KA3

Please refer to instructions on page 5 for an explanation of how to use this table.

Model Designation



Neutral Assembly, 30-400 Amp



6158_8a

Item	Part Number	Description	Quantity		
			Module Number		
			GM21070-KA1	GM21071-KA1	GM26317-KA1
1	X-6238-4	Bolt, hex cap	2	2	
2	X-25-118	Washer, plain, 0.406 ID x 1 in. OD	4	4	
3	GM20991	Bracket, neutral mounting, 30-400 A	1		
3	GM25826	Bracket, neutral mounting 225-400 A		1	
6	X-6207-12	Lug, terminal	1		
6	X-6207-14	Lug, terminal, aluminum		1	
7	X-6086-6	Washer, spring, 0.39 ID x 0.81 in. OD	2	2	
8	X-83-7	Nut, hex, 3/8-16, zinc	2	2	
9	X-465-6	Bolt, hex cap			7
10	X-6086-16	Washer, spring, 0.281 ID x 0.875 OD			7
11	X-6128-30	Standoff, insulator, 1/4-20 x 1 in.			2
12	GM28294	Bus, neutral			1
13	297712	Lug, terminal			3

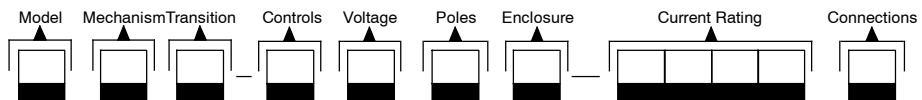
Neutral Assembly, 30-400 Amp

Module Number Key

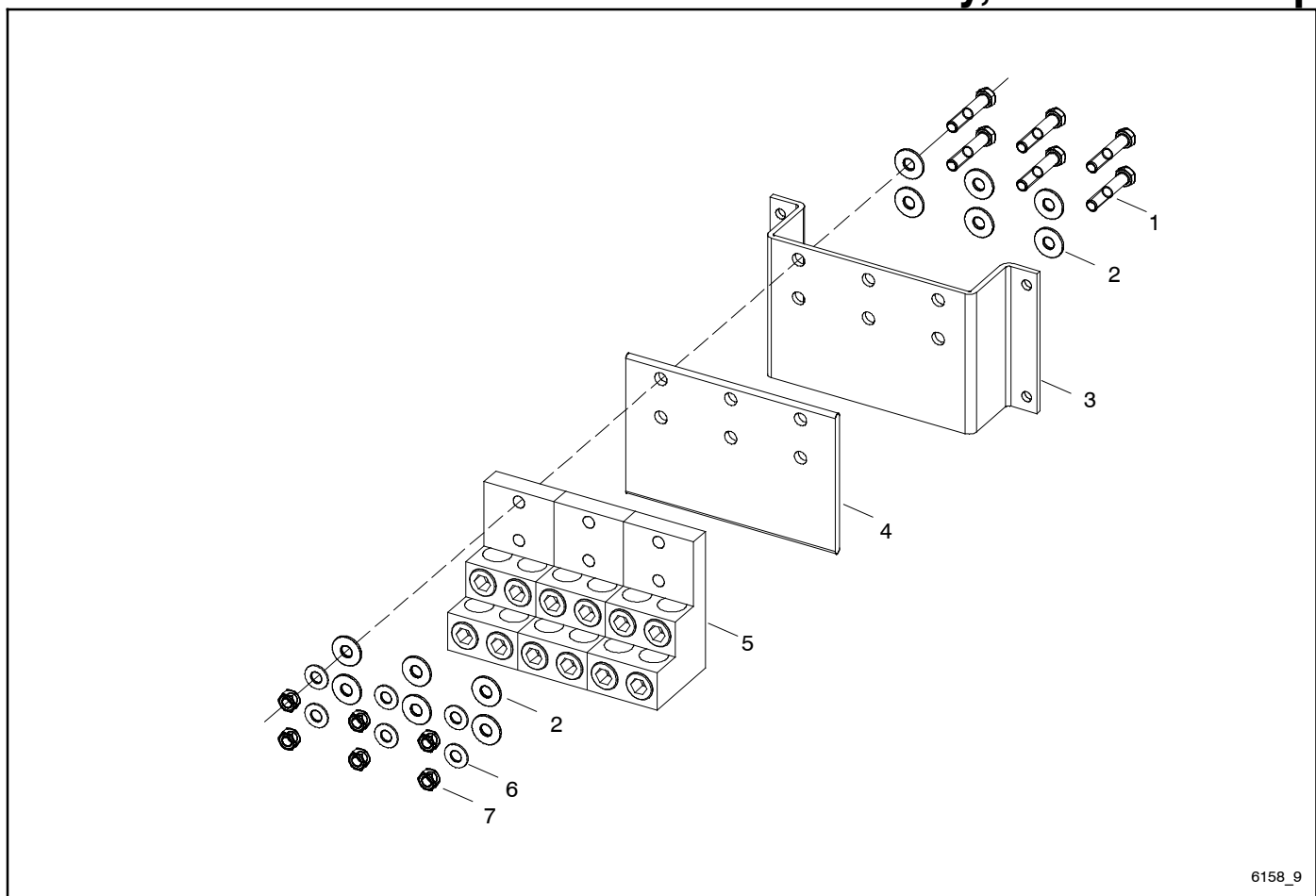
Model Designation Code									
Model	Mechanism	Transition	Controls	Voltage	Poles	Enclosure	Current Rating	Connections	Module Number
K	C	S	D, F	all	N, T	all	30-200	S	GM26317-KA1
K	S	S	all	all	N, T	all	40-150	S	GM21070-KA1
K	C, G	C, P, S	all	all	N, T	all	150-400	S	GM21071-KA1
K	S	P	all	all	N, T	all	100	S	GM21071-KA1
K	S	P, S	all	all	N, T	all	200-400	S	GM21071-KA1

Please refer to instructions on page 5 for an explanation of how to use this table.

Model Designation



Neutral Assembly, 600-1000 Amp



6158_9

Item	Part Number	Description	Quantity	
			GM21294-KA1	GM29496-KA1
1	X-6238-6	Bolt, hex cap	6	4
2	X-25-118	Washer, plain, 0.406 ID x 1 in. OD	12	8
3	GM20992	Bracket, neutral mounting	1	1
4	GM21010	Bus, neutral, 600-1200 A	1	1
5	297582	Lug, terminal, aluminum	3	
5	295296	Lug, terminal, aluminum		2
6	X-6086-6	Washer, spring, 0.39 ID x 0.81 in. OD	6	4
7	X-83-7	Nut, hex, 3/8-16, zinc	6	4

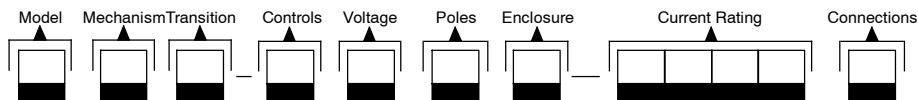
Neutral Assembly, 600-1000 Amp

Module Number Key

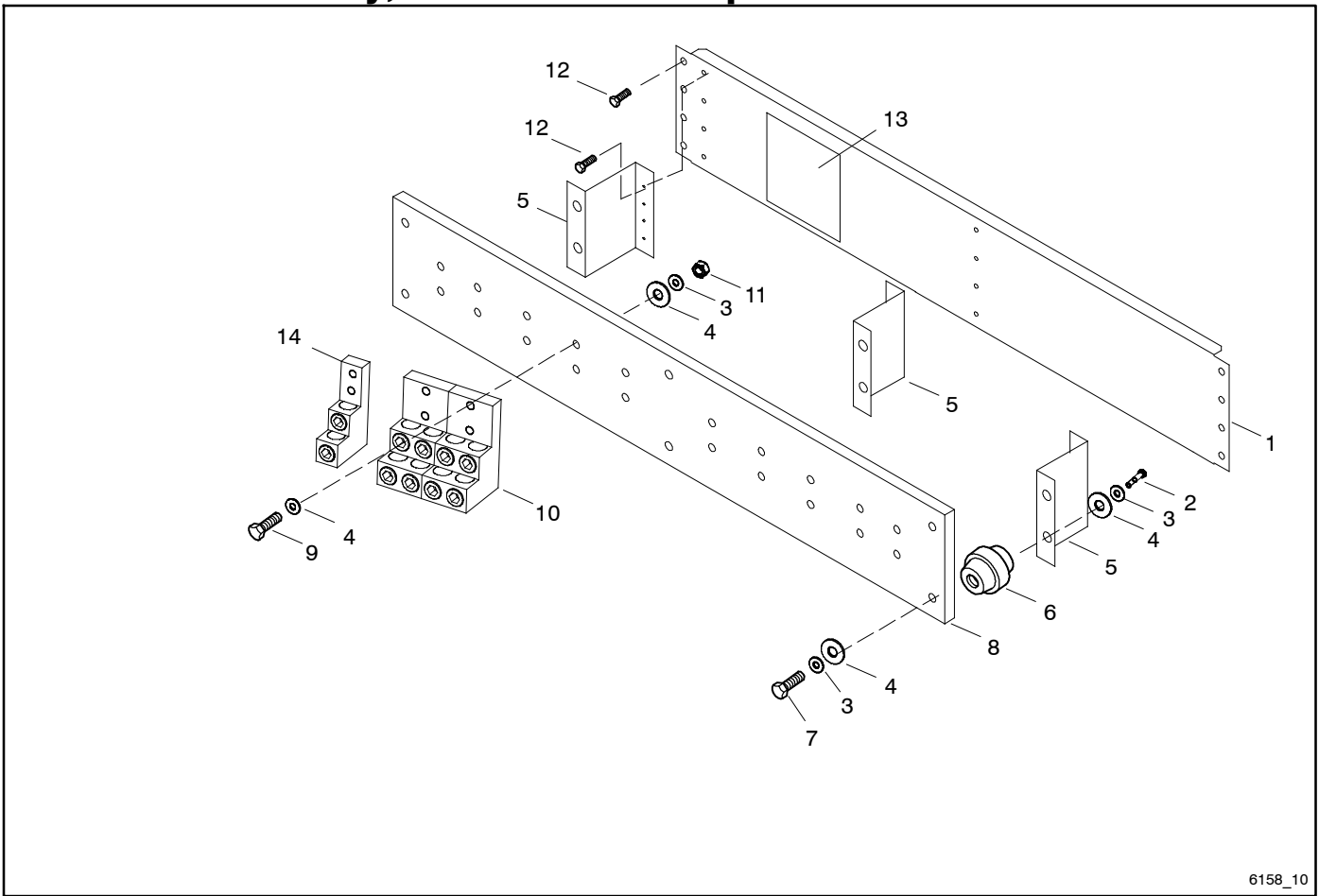
Model Designation Code									Module Number
Model	Mechanism	Transition	Controls	Voltage	Poles	Enclosure	Current Rating	Connections	
K	C, S	S, P, C	all	all	T	all	800, 1000	all	GM21294-KA1
K	G	all	all	all	N, T	all	800-1200	all	GM21294-KA1
K	C, G, S	S, P, C	all	all	N, T	all	600	all	GM29496-KA1

Please refer to instructions on page 5 for an explanation of how to use this table.

Model Designation



Neutral Assembly, 1200-4000 Amp



6158_10

Item	Part Number	Description	Quantity				
			Module				
			GM21078-KA1	GM21078-KA2	GM21078-KA3	GM48923-KA1	GM48923-KA2
1	GM12588	Channel, neutral support	1	1	1		
1	GM14054	Channel, neutral support	6	6	6		
2	X-6238-10	Bolt, hex cap	12	12	12	8	8
3	X-6086-6	Washer, spring, 0.39 ID x 0.81 in. OD	12	12	12	8	8
4	X-25-118	Washer, plain, 0.406 ID x 1 in. OD	12	12	12	8	8
5	GM12589	Bracket, neutral bus support	3	3	3		
5	346210	Bracket, neutral connection				2	2
6	X-6128-29	Standoff insulator, 3/8-16 x 2 in.	6	6	6		
6	233568	Insulator				4	4
7	X-6238-11	Bolt, hex cap	6				
7	X-6238-4	Bolt, hex cap		6			
7	X-6238-5	Bolt, hex cap			6		
8	GM14055	Bus, neutral	1	2			
8	GM20995	Bus, neutral			3		
8	346208	Bus, neutral				1	3
12	X-67-114	Screw, hex washer, thread-forming	18	18	18		
13	297556	Decal, torque	1	1	1	1	1

Neutral Assembly, 1200-4000 Amp

Item	Part Number	Description	Quantity										
			GM21565-KA1	GM21565-KA2	GM29799-KA1	GM21565-KA3	GM21565-KA4	GM21565-KA5	GM21565-KA6	GM83072-KA1	GM83072-KA2		
1	GM14054	Channel, neutral support	1	1		1							
1	GM39573	Channel, neutral support					1	1					
2	X-6238-10	Bolt, hex cap										4	4
3	X-6086-6	Washer, spring, 0.39 ID x 0.81 in. OD	20	24	18	32	20	24	32	20	26		
4	X-25-118	Washer, plain, 0.406 ID x 1 in. OD	28	36	30	52	28	36	52	32	44		
5	GM12589	Bracket, neutral bus support	3	3		3	3	3					
5	GM12588	Bracket, neutral bus support								3			
6	X-6128-29	Standoff insulator, 3/8-16 x 2 in.	6	6	6	6	6	6	6	6	4	4	
7	X-6238-11	Bolt, hex cap	6										
7	X-6238-4	Bolt, hex cap		6	6	6		6	6	6	4	4	
8	GM21310	Bus, neutral	1	2	2	2							
8	GM39574	Bus, neutral					1	2					
8	GM42809	Bus, neutral								3			
8	GM81738	Bus, neutral									2	2	
9	X-6238-1	Bolt, hex cap	8				8						
9	X-6238-6	Bolt, hex cap		12	12	12		12	12	12	12	18	
10	297605	Lug, terminal, aluminum	4	6	6	8	4	6	8	6	6	9	
11	X-83-7	Nut, hex, 3/8-16, zinc	8	12	12	20	8	12	20	12	18		
12	X-67-114	Screw, hex washer, thread-forming	18	18		18	18	18	18				
13	297556	Decal, torque	1	1		1	1	1	1	1			
14	353354	Lug, terminal				2				2			

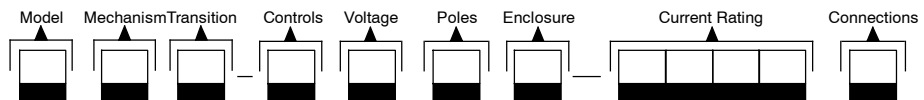
Neutral Assembly, 1000-4000 Amp

Module Number Key

Model Designation Code									Module Number
Model	Mechanism	Transition	Controls	Voltage	Poles	Enclosure	Current Rating	Connections	
K	C	all	all	all	N, T	A	1200	all	GM21565-KA1
K	G	all	all	all	N, T	all	1600, 2000	all	GM83072-KA1
K	C	S, P	all	all	T	A	1600, 2000	F	GM21565-KA2
K	C	S, P	all	all	T	C	1600, 2000	F	GM29799-KA1
K	C	all	all	all	T	all	1600, 2000	S	GM21565-KA2
K	C	all	all	all	N, T	all	2600, 3000	all	GM21565-KA3
K	G	all	all	all	N, T	all	2600, 3000	all	GM83072-KA2

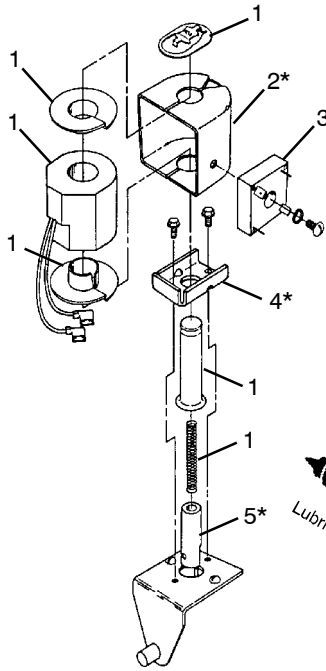
Please refer to instructions on page 5 for an explanation of how to use this table.

Model Designation

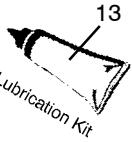


Contactor, Model KCS 30-104 Amp

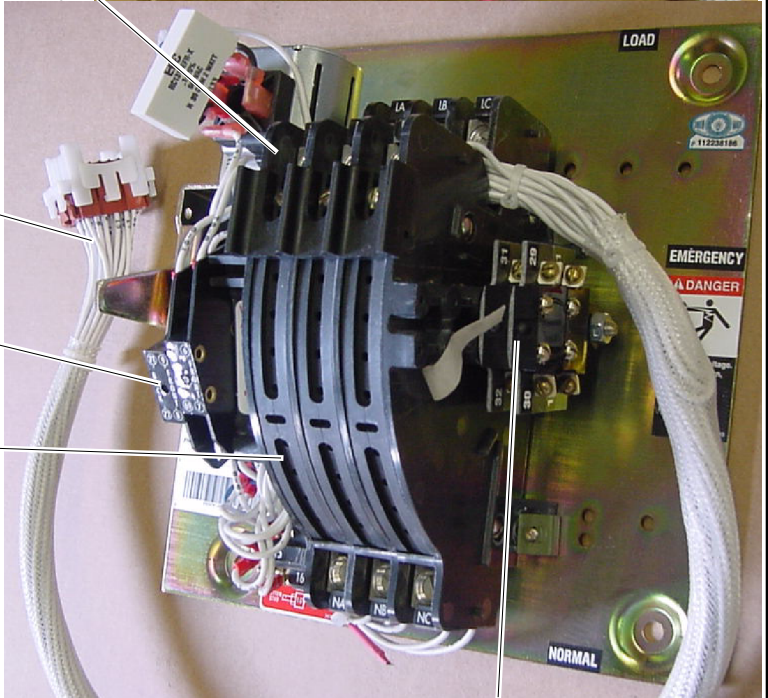
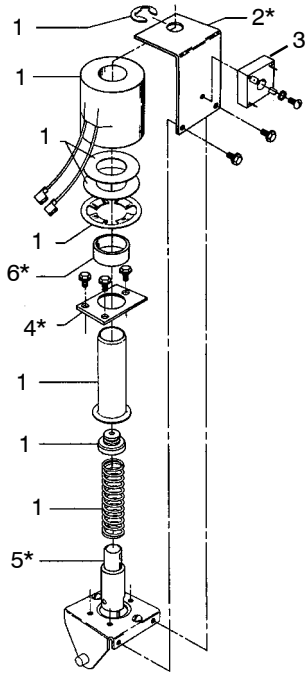
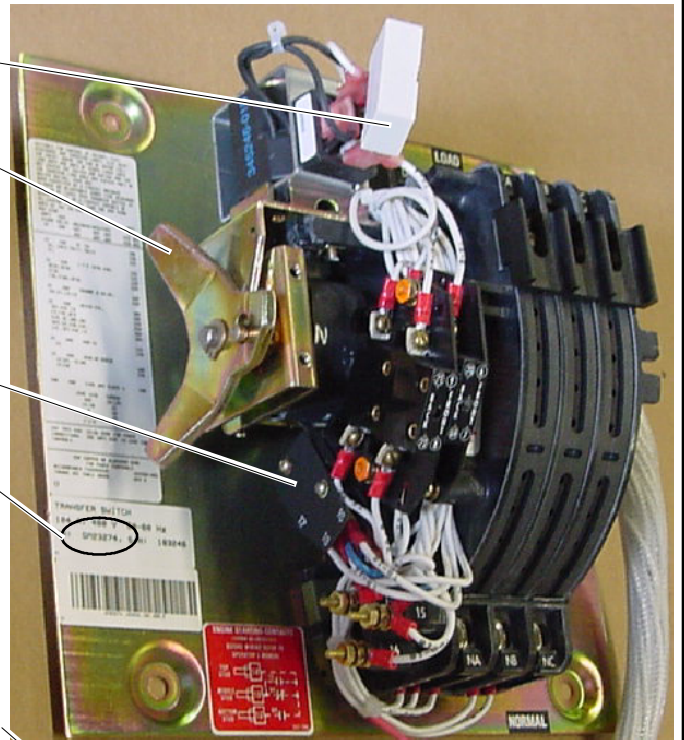
30-104 Amp Shown P/N GM23274



Contactor Part Number



14 Contactor Assembly



12*

6158_11

* Serviceable items without part numbers are available by recording the serial numbers and model designation below and contacting your supplier of Kohler Co. parts. See Introduction for more instructions.

Transfer Switch Serial Number
Contactor Serial Number

Model Designation

Model	Mechanism	Transition	Controls	Voltage	Poles	Enclosure	Current Rating	Connections
□	□	□	□	□	□	□	□ □ □ □	□

Contactor, Model KCS

30-104 Amp

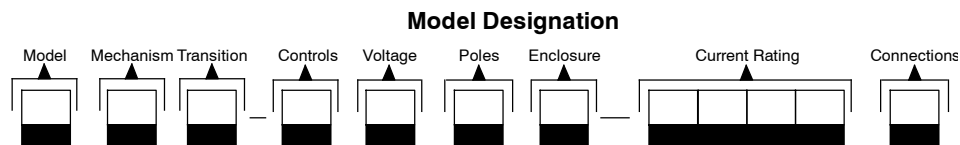
Item	Part Number	Description
1	See chart below	Kit, coil
2	*	Yoke, 30-104 A
2	*	L-bracket, 150 A
3	294544	Rectifier (snubber no longer required because of improved rectifier)
4	*	Retainer, core tube
5	*	Core
6	*	Ring, spacer
7	*	Handle, manual operating
8	GM24251	Switch, miniature
9	*	Harness, contactor
10	GM24239	Contacts, coil control
11	*	Chute, arc
12	GM24252	Contact, auxiliary
13	GM24237	Lubrication kit, coil core tube
14	See chart below	Contactor assembly

30-104 Amp Contactor and Coil Kit Replacement Part Numbers

Poles/Wires Code(s)	Poles/Wires	Voltage Codes(s)	Voltage	Part Number	
				Contactor Assembly	Coil Kit
N	2	C	208	GM26237	GM24276
N	2	D, F	220-240	GM26238	GM24277
N	2	G, H, J	380-416	GM26239	GM24278
N	2	K, M	440-480	GM26240	GM24279
N	2	N	600	GM26241	GM24280
T	3/4 solid neutral	C	208	GM26242	GM24281
T	3/4 solid neutral	D, F	220-240	GM26243	GM24282
T	3/4 solid neutral	G, H, J	380-416	GM26244	GM24283
T	3/4 solid neutral	K, M	440-480	GM26245	GM24284
T	3/4 solid neutral	N	600	GM26246	GM24285
V	4/4 switched neutral	C	208	GM26247	GM24281
V	4/4 switched neutral	D, F	220-240	GM26248	GM24282
V	4/4 switched neutral	G, H, J	380-416	GM26249	GM24283
V	4/4 switched neutral	K, M	440-480	GM26250	GM24284
V	4/4 switched neutral	N	600	GM26251	GM24285
W	4/4 overlapping neutral	C	208	GM26252	GM24281
W	4/4 overlapping neutral	D, F	220-240	GM26253	GM24282
W	4/4 overlapping neutral	G, H, J	380-416	GM26254	GM24283
W	4/4 overlapping neutral	K, M	440-480	GM26255	GM24284
W	4/4 overlapping neutral	N	600	GM26256	GM24285

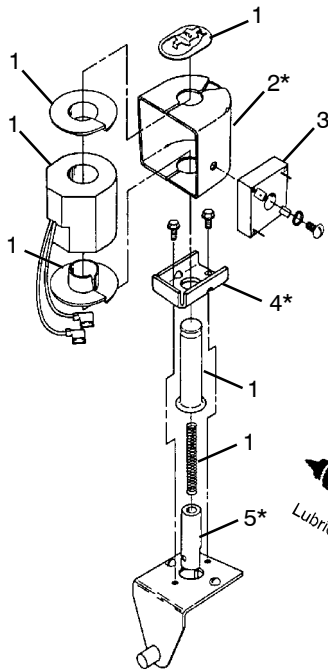
* Serviceable items without part numbers are available by recording the serial numbers and model designation below and contacting your supplier of Kohler Co. parts. See Introduction for more instructions.

Transfer Switch Serial Number
Contactor Serial Number

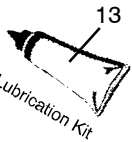


Contactor, Model KCS 150-200 Amp

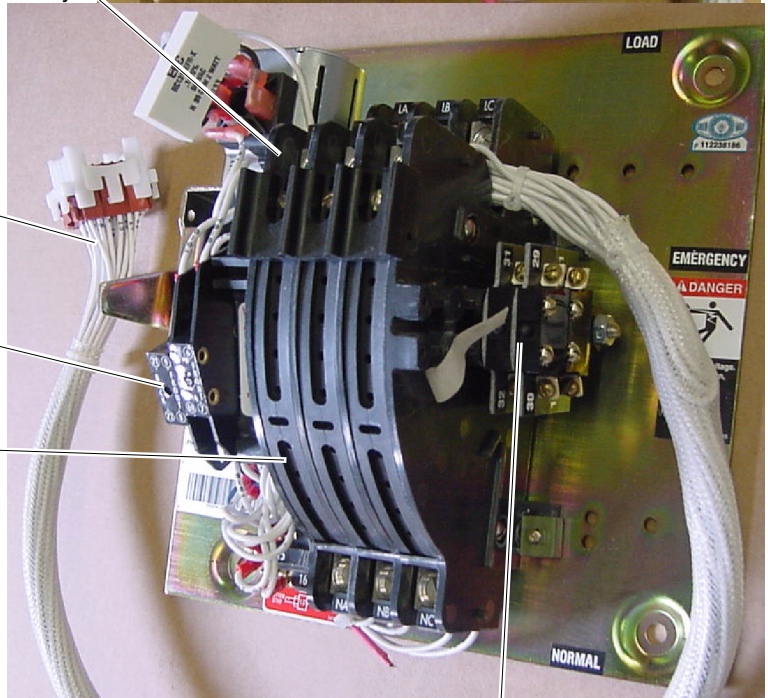
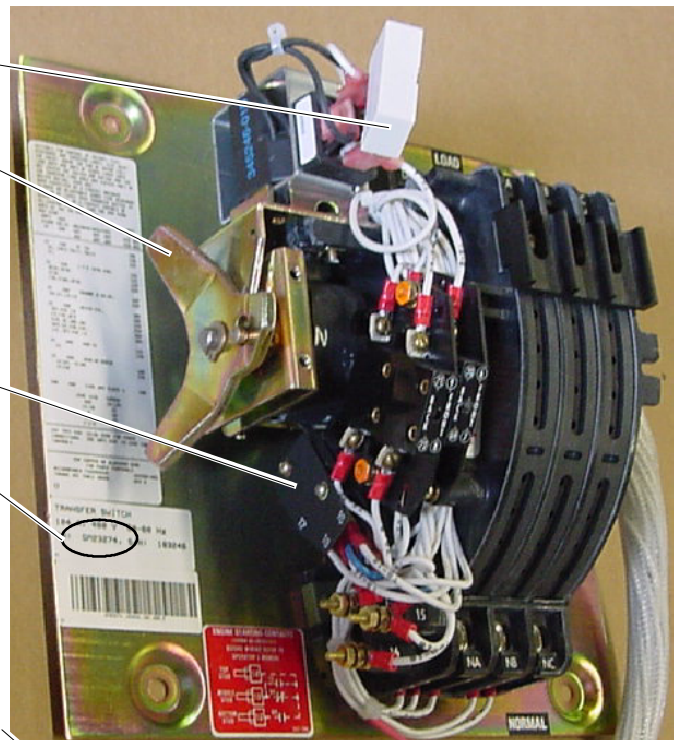
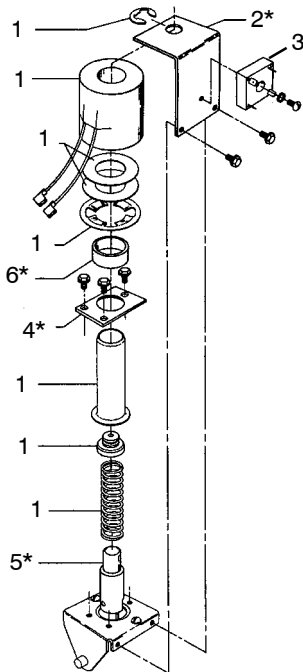
30-104 Amp Shown P/N GM23274



Contactor Part Number



14 Contactor Assembly



12*

6158_11

* Serviceable items without part numbers are available by recording the serial numbers and model designation below and contacting your supplier of Kohler Co. parts. See Introduction for more instructions.

Transfer Switch Serial Number
Contactor Serial Number

Model Designation

Model	Mechanism	Transition	Controls	Voltage	Poles	Enclosure	Current Rating	Connections
<input type="text"/>	<input type="text"/>	<input type="text"/>	<input type="text"/>	<input type="text"/>	<input type="text"/>	<input type="text"/>	<input type="text"/>	<input type="text"/>

Contactor, Model KCS

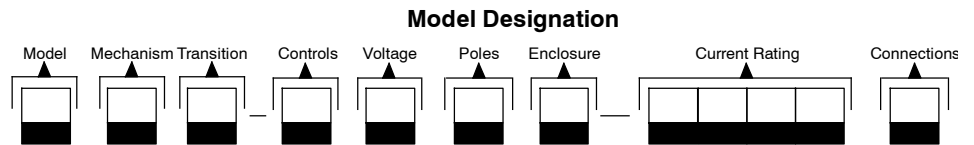
150-200 Amp

150-200 Amp Contactor and Coil Kit Replacement Part Numbers

Amps	Poles/Wires Code(s)	Poles/Wires	Voltage Codes(s)	Voltage	Part Number	
					Contactor Assembly	Coil Kit
150	N	2	C	208	GM26257	GM24276
150	N	2	D, F	220-240	GM26258	GM24277
150	N	2	G, H, J	380-416	GM26259	GM24278
150	N	2	K, M	440-480	GM26260	GM24279
150	N	2	N	600	GM26261	GM24280
150	T	3/4 solid neutral	C	208	GM26262	GM24281
150	T	3/4 solid neutral	D, F	220-240	GM26263	GM24282
150	T	3/4 solid neutral	G, H, J	380-416	GM26264	GM24283
150	T	3/4 solid neutral	K, M	440-480	GM26265	GM24284
150	T	3/4 solid neutral	N	600	GM26266	GM24285
150	V	4/4 switched neutral	C	208	GM26272	GM24281
150	V	4/4 switched neutral	D, F	220-240	GM26273	GM24282
150	V	4/4 switched neutral	G, H, J	380-416	GM26274	GM24283
150	V	4/4 switched neutral	K, M	440-480	GM26275	GM24284
150	V	4/4 switched neutral	N	600	GM26276	GM24285
150	W	4/4 overlapping neutral	C	208	GM26282	GM24281
150	W	4/4 overlapping neutral	D, F	220-240	GM26283	GM24282
150	W	4/4 overlapping neutral	G, H, J	380-416	GM26284	GM24283
150	W	4/4 overlapping neutral	K, M	440-480	GM26285	GM24284
150	W	4/4 overlapping neutral	N	600	GM26286	GM24285
200	N	2	C	208	GM26287	GM24276
200	N	2	D, F	220-240	GM26288	GM24277
200	N	2	G, H, J	380-416	GM32226	GM24278
200	N	2	K, M	440-480	GM32228	GM24279
200	T	3/4 solid neutral	C	208	GM26289	GM24281
200	T	3/4 solid neutral	D, F	220-240	GM26290	GM24282
200	T	3/4 solid neutral	G, H, J	380-416	GM32227	GM24283
200	T	3/4 solid neutral	K, M	440-480	GM32229	GM24284
200	W	4/4 overlapping neutral	C	208	GM32284	GM24281
200	W	4/4 overlapping neutral	D, F	220-240	GM32375	GM24282
200	W	4/4 overlapping neutral	G, H, J	380-416	GM32376	GM24283
200	W	4/4 overlapping neutral	K, M	440-480	GM32377	GM24284

* Serviceable items without part numbers are available by recording the serial numbers and model designation below and contacting your supplier of Kohler Co. parts. See Introduction for more instructions.

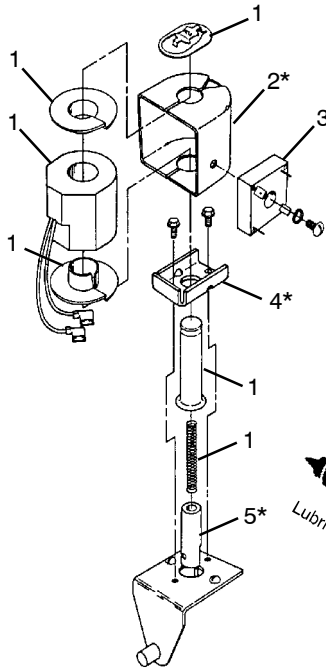
Transfer Switch Serial Number
Contactor Serial Number



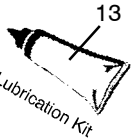
Contactor, Model KCS (Connection Code S)

230 Amp

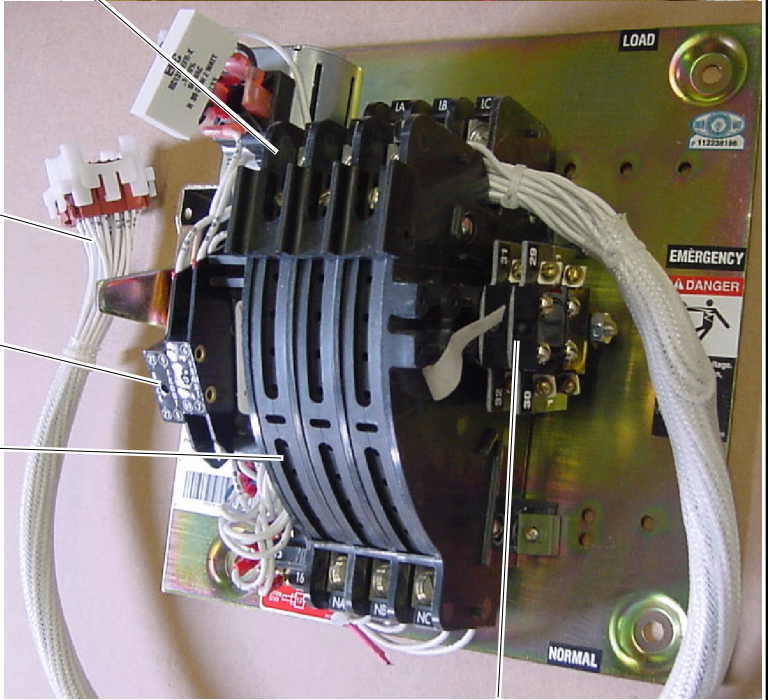
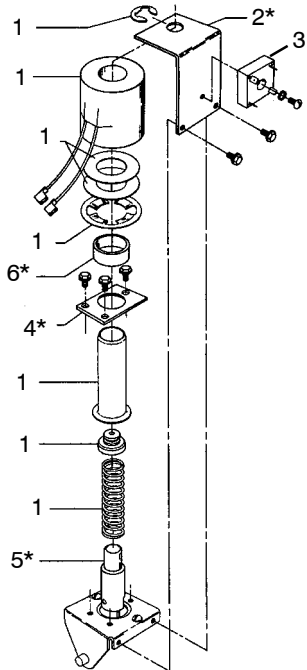
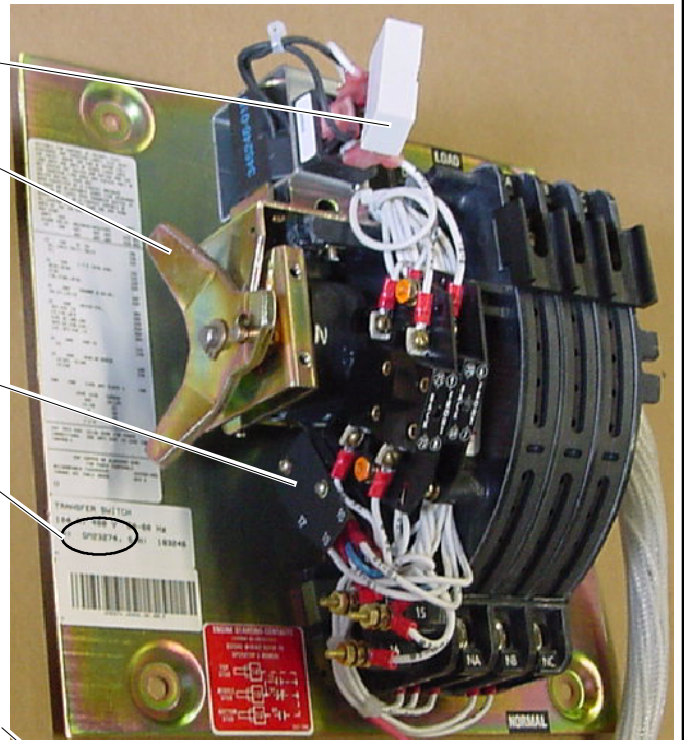
30-104 Amp Shown P/N GM23274



Contactor Part Number



14 Contactor Assembly



12*

6158_11

* Serviceable items without part numbers are available by recording the serial numbers and model designation below and contacting your supplier of Kohler Co. parts. See Introduction for more instructions.

Transfer Switch Serial Number
Contactor Serial Number

Model Designation

Model	Mechanism Transition	Controls	Voltage	Poles	Enclosure	Current Rating	Connections
□	□	□	□	□	□	□ □ □ □	□

Contactor, Model KCS (Connection Code S)

230 Amp

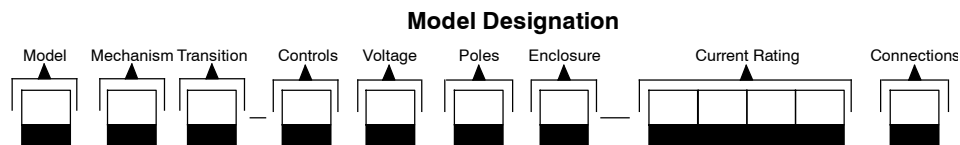
Item	Part Number	Description
1	See chart below	Kit, coil
2	*	Yoke, 30-104 A
2	*	L-bracket, 150 A
3	294544	Rectifier (snubber no longer required because of improved rectifier)
4	*	Retainer, core tube
5	*	Core
6	*	Ring, spacer
7	*	Handle, manual operating
8	GM24251	Switch, miniature
9	*	Harness, contactor
10	GM24239	Contacts, coil control
11	*	Chute, arc
12	GM24252	Contact, auxiliary
13	GM24237	Lubrication kit, coil core tube
14	See chart below	Contactor assembly

230 Amp Contactor and Coil Kit Replacement Part Numbers

Amps	Poles/Wires Code	Poles/Wires	Voltage Code(s)	Voltage	Connection Code	Contact Part Number	Coil Kit Part Number
230	N	2	C	208	S	GM32263	GM24276
230	N	2	D, F	220-240	S	GM32264	GM24277
230	N	2	G, H, J	380-416	S	GM32265	GM24278
230	N	2	K, M	440-480	S	GM32266	GM24279
230	T	3	C	208	S	GM32268	GM24281
230	T	3	D, F	220-240	S	GM32269	GM24282
230	T	3	G, H, J	380-416	S	GM32270	GM24283
230	T	3	K, M	440-480	S	GM32271	GM24284
230	V	4/4 switched neutral	C	208	S	GM32278	GM24281
230	V	4/4 switched neutral	D, F	220-240	S	GM32279	GM24282
230	V	4/4 switched neutral	G, H, J	380-416	S	GM32280	GM24283
230	V	4/4 switched neutral	K, M	440-480	S	GM32281	GM24284
230	W	4/4 overlapping neutral	C	208	S	GM32259	GM24281
230	W	4/4 overlapping neutral	D, F	220-240	S	GM32260	GM24282
230	W	4/4 overlapping neutral	G, H, J	380-416	S	GM32261	GM24283
230	W	4/4 overlapping neutral	K, M	440-480	S	GM32262	GM24284

* Serviceable items without part numbers are available by recording the serial numbers and model designation below and contacting your supplier of Kohler Co. parts. See Introduction for more instructions.

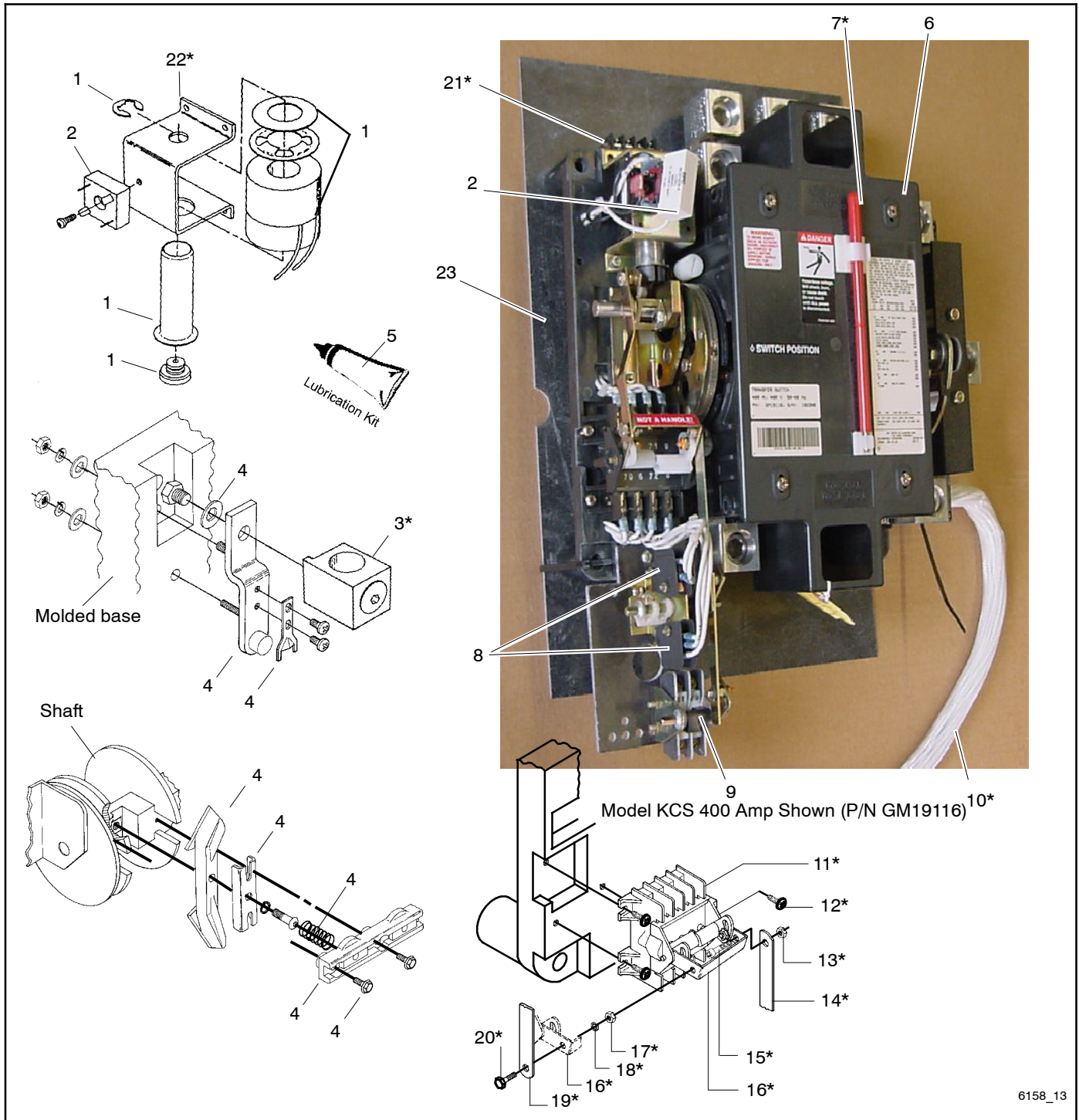
Transfer Switch Serial Number
Contactor Serial Number



Contactor, Model KCS & KCP (Connection Code S)

150-400 Amp (2-, 3-pole KCP)

225, 260, 400 Amp (KCS)



* Serviceable items without part numbers are available by recording the serial numbers and model designation below and contacting your supplier of Kohler Co. parts. See Introduction for more instructions.

Transfer Switch Serial Number
Contactor Serial Number

Model Designation

Model	Mechanism Transition	Controls	Voltage	Poles	Enclosure	Current Rating	Connections
□	□	□	□	□	□	□ □ □ □ □	□

Contactor, Model KCS & KCP (Connection Code S)

150-400 Amp (2-, 3-pole KCP)

225, 260, 400 Amp (KCS)

Item	Part Number	Description
1	See chart	Kit, coil
2	294544	Rectifier (snubber no longer required because of improved rectifier)
3	*	Lug
4	See chart	Contact kit
5	GM24237	Lubrication kit, coil core tube
6	GM24240	Barrier
7	*	Handle, manual operating
8	321992	Switch, miniature
9	GM24250	Contact, auxiliary
10	*	Harness, contactor
11	GM41971	Contacts, coil control
12	*	Screw, Phillips self-tapping
13	*	Locknut, #10-32
14	*	Link, lower drive
15	*	Screw, #10-32 Allen head
16	*	Bracket, drive
17	*	Nut, hex
18	*	Washer, lock
19	*	Link, upper drive
20	*	Screw, #10-32 shoulder screw
21	*	Terminal, engine start
22	*	Frame
23	See next page	Contactor assembly

Item 1, Coil Kit

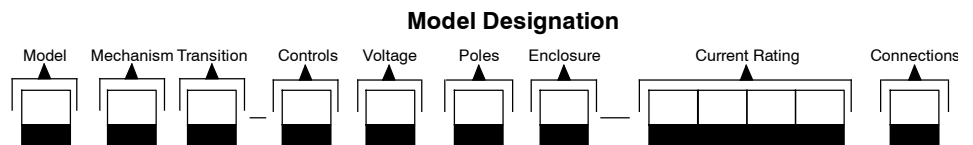
Transition	Voltage Code(s)	Voltage	Poles/Wires Code	Poles/Wires	Amps	Connection Code	Part Number
P, S	C	208	N	2	225, 260, 400	S	GM24261
P, S	D, F	220-240	N	2	225, 260, 400	S	GM24262
P, S	G, H, J	380-416	N	2	225, 260, 400	S	GM24263
P, S	M	460-480	N	2	225, 260, 400	S	GM24264
P, S	N	600	N	2	225, 230, 260, 400	S	GM24265
P, S	C	208	T	3	225, 260, 400	S	GM24266
P, S	D, F	220-240	T	3	225, 260, 400	S	GM24267
P, S	G, H, J	380-416	T	3	225, 260, 400	S	GM24268
P, S	M	460-480	T	3	225, 260, 400	S	GM24269
P, S	N	600	T	3	225, 230, 260, 400	S	GM24270
S	C	208	V, W	4	225, 260, 400	S	GM24271
S	D, F	220-240	V, W	4	225, 260, 400	S	GM24272
S	G, H, J	380-416	V, W	4	225, 260, 400	S	GM24273
S	M	460-480	V, W	4	225, 260, 400	S	GM24274
S	N	600	V, W	4	225, 260, 400	S	GM24275

Item 4, Contact Kit

Poles/Wires Code	Poles/Wires	Amps	Part Number
N	2	225/260	GM24241
T	3	225/260	GM24242
N	2	400	GM24243
T	3	400	GM24244

* Serviceable items without part numbers are available by recording the serial numbers and model designation below and contacting your supplier of Kohler Co. parts. See Introduction for more instructions.

Transfer Switch Serial Number
Contactor Serial Number

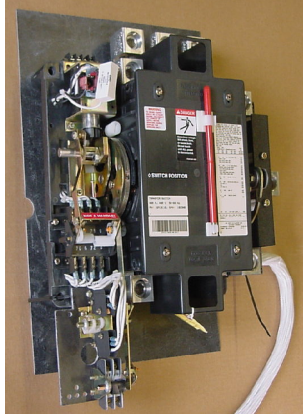


Contactor, Model KCS & KCP (Connection Code S)

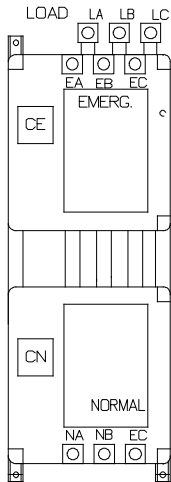
150-400 Amp (2-, 3-pole KCP)

225, 260, 400 Amp (KCS)

Item 23 Contactor Assembly



Model KCS
225, 230 (600 V), 260, 400 Amp



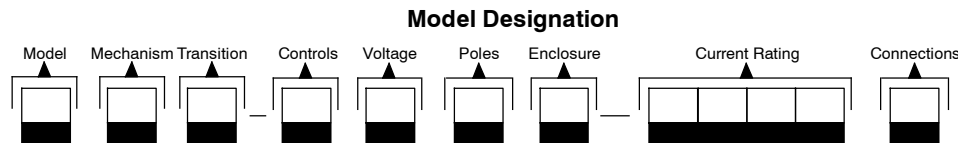
Model KCP
150-400 Amp (2-, 3-pole)

Use this table to identify the switch's contactor part number.

Contactor Part Numbers						
Transition	Amps	Poles/Wires Code	Poles/Wires	Voltage Code(s)	Voltage	Part Number
P	150	N	2	C	208	GM17899
P	150	N	2	D, F	220-240	GM17905
P	150	N	2	G, H, J	380-416	GM17911
P	150	N	2	K, M	440-480	GM17917
P	150	N	2	N	600	GM17923
P	150	T	3	C	208	GM17929
P	150	T	3	D, F	220-240	GM17935
P	150	T	3	G, H, J	380-416	GM17941
P	150	T	3	K, M	440-480	GM17947
P	150	T	3	N	600	GM17953
P	225	N	2	C	208	GM22587
P	225	N	2	D, F	220-240	GM22588
P	225	N	2	G, H, J	380-416	GM22589
P	225	N	2	K, M	440-480	GM22590
P	225	N	2	N	600	GM22591
P	225	T	3	C	208	GM22592
P	225	T	3	D, F	220-240	GM22593
P	225	T	3	G, H, J	380-416	GM22594
P	225	T	3	K, M	440-480	GM22595
P	225	T	3	N	600	GM22596
P	260	N	2	C	208	GM18079
P	260	N	2	D, F	220-240	GM18085
P	260	N	2	G, H, J	380-416	GM18091
P	260	N	2	K, M	440-480	GM18098
P	260	N	2	N	600	GM18099
P	260	T	3	C	208	GM18100
P	260	T	3	D, F	220-240	GM18101
P	260	T	3	G, H, J	380-416	GM18102
P	260	T	3	K, M	440-480	GM18103
P	260	T	3	N	600	GM18104
P	400	N	2	C	208	GM18110
P	400	N	2	D, F	220-240	GM19111
P	400	N	2	G, H, J	380-416	GM18112
P	400	N	2	K, M	440-480	GM18113
P	400	N	2	N	600	GM18114
P	400	T	3	C	208	GM18115
P	400	T	3	D, F	220-240	GM18116
P	400	T	3	G, H, J	380-416	GM18117
P	400	T	3	K, M	440-480	GM18118
P	400	T	3	N	600	GM18119

* Serviceable items without part numbers are available by recording the serial numbers and model designation below and contacting your supplier of Kohler Co. parts. See Introduction for more instructions.

Transfer Switch Serial Number
Contactor Serial Number



Contactor, Model KCS & KCP (Connection Code S)

150-400 Amp (2-, 3-pole KCP)

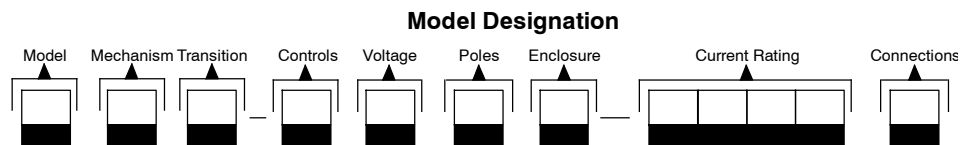
225, 260, 400 Amp (KCS)

Use this table to identify the switch's contactor part number.

Contactor Part Numbers							
Transition	Amps	Poles/Wires Code	Poles/Wires	Voltage Code(s)	Voltage	Connection Code	Part Number
S	225	N	2	C	208	S	GM22567
S	225	N	2	D, F	220-240	S	GM22568
S	225	N	2	G, H, J	380-416	S	GM22569
S	225	N	2	K, M	440-480	S	GM22570
S	225	N	2	N	600	S	GM22571
S	225	T	3	C	208	S	GM22572
S	225	T	3	D, F	220-240	S	GM22573
S	225	T	3	G, H, J	380-416	S	GM22574
S	225	T	3	K, M	440-480	S	GM22575
S	225	T	3	N	600	S	GM22576
S	225	V	4/4 switched neutral	C	208	S	GM22582
S	225	V	4/4 switched neutral	D, F	220-240	S	GM22583
S	225	V	4/4 switched neutral	G, H, J	380-416	S	GM22584
S	225	V	4/4 switched neutral	K, M	440-480	S	GM22585
S	225	V	4/4 switched neutral	N	600	S	GM22586
S	225	W	4/4 overlapping neutral	C	208	S	GM22563
S	225	W	4/4 overlapping neutral	D, F	220-240	S	GM22564
S	225	W	4/4 overlapping neutral	G, H, J	380-416	S	GM22565
S	225	W	4/4 overlapping neutral	K, M	440-480	S	GM22566
S	225	W	4/4 overlapping neutral	N	600	S	GM22682
S	230	N	2	N	600	S	GM17940
S	230	T	3	N	600	S	GM17946
S	230	W	4/4 overlapping neutral	N	600	S	GM19112
S	260	N	2	C	208	S	GM17936
S	260	N	2	D, F	220-240	S	GM17937
S	260	N	2	G, H, J	380-416	S	GM17938
S	260	N	2	K, M	440-480	S	GM17939
S	260	N	2	N	600	S	GM17940
S	260	T	3	C	208	S	GM17942
S	260	T	3	D, F	220-240	S	GM17943
S	260	T	3	G, H, J	380-416	S	GM17944
S	260	T	3	K, M	440-480	S	GM17945
S	260	T	3	N	600	S	GM17946
S	260	W	4/4 overlapping neutral	C	208	S	GM19108
S	260	W	4/4 overlapping neutral	D, F	220-240	S	GM19109
S	260	W	4/4 overlapping neutral	G, H, J	380-416	S	GM19110
S	260	W	4/4 overlapping neutral	K, M	440-480	S	GM19111
S	260	W	4/4 overlapping neutral	N	600	S	GM19112
S	400	N	2	C	208	S	GM17954
S	400	N	2	D, F	220-240	S	GM17955
S	400	N	2	G, H, J	380-416	S	GM17956
S	400	N	2	K, M	440-480	S	GM17957
S	400	N	2	N	600	S	GM17958
S	400	T	3	C	208	S	GM17960
S	400	T	3	D, F	220-240	S	GM17961
S	400	T	3	G, H, J	380-416	S	GM17962
S	400	T	3	K, M	440-480	S	GM17963
S	400	T	3	N	600	S	GM17964
S	400	W	4/4 overlapping neutral	C	208	S	GM19113
S	400	W	4/4 overlapping neutral	D, F	220-240	S	GM19114
S	400	W	4/4 overlapping neutral	G, H, J	380-416	S	GM19115
S	400	W	4/4 overlapping neutral	K, M	440-480	S	GM19116
S	400	W	4/4 overlapping neutral	N	600	S	GM19117

* Serviceable items without part numbers are available by recording the serial numbers and model designation below and contacting your supplier of Kohler Co. parts. See Introduction for more instructions.

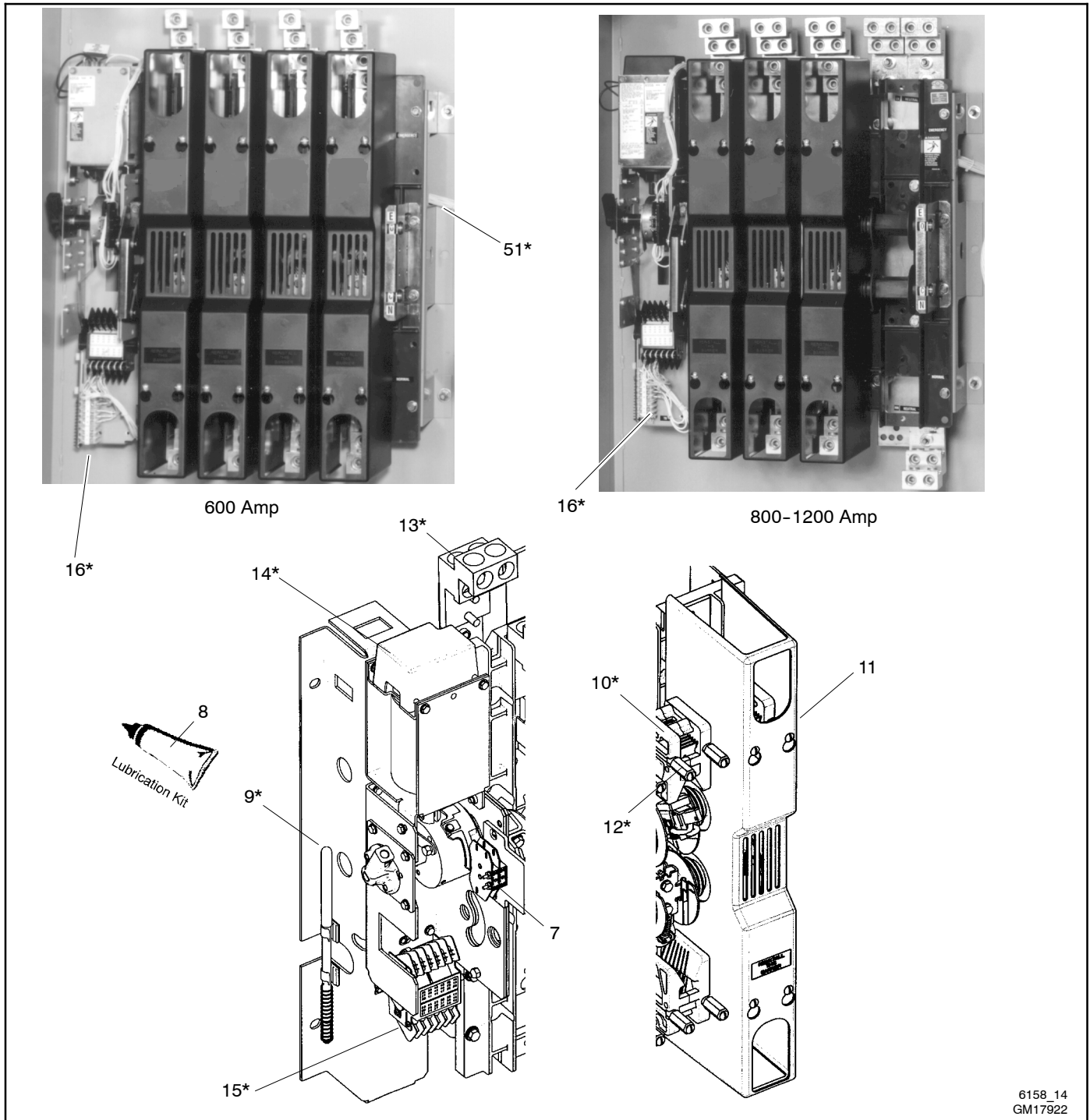
Transfer Switch Serial Number
Contactor Serial Number



Contactor, Model KCS & KCP (Connection Code S)

150-400 Amp (4-pole KCP)

600-1200 Amp (KCS), 800-1200 Amp KCC, KCP



6158_14
GM17922

* Serviceable items without part numbers are available by recording the serial numbers and model designation below and contacting your supplier of Kohler Co. parts. See Introduction for more instructions.

Transfer Switch Serial Number
Contactor Serial Number

Model Designation

Model	Mechanism	Transition	Controls	Voltage	Poles	Enclosure	Current Rating	Connections
□	□	□	□	□	□	□	□ □ □ □	□
■	■	■	■	■	■	■	■ ■ ■ ■	■

Contactor, Model KCS & KCP (Connection Code S)

150-400 Amp (4-pole KCP)

600-1200 Amp (KCS), 800-1200 Amp KCC, KCP

Item	Part Number	Description	Item	Part Number	Description
1	See chart	Kit, coil	28	*	Insulator, shaft
2	See chart	Solenoid assembly (includes coil kit)	29	*	Washer, flat
3	GM24312	Contact, moveable arcing	30	*	Washer, disc
4	GM24313	Contact assembly, moveable arcing and main	31	*	Nut, hex
5	GM24314	Contact kit, stationary arcing	32	*	Screw, 1/4-20 x 3/8 in.
6	GM24311	Contact assembly, stationary	33	*	Contact, arcing
7	GM24320	Contact, coil control	34	*	Nut, hex
8	GM24237	Lubrication kit	35	*	Washer, disc
9	*	Handle, manual operating	36	*	Washer, flat
10	*	Chute, arc	37	*	Plate, terminal
11	GM63213	Cover, pole	38	*	Bracket, arc chute mounting
12	*	Nut, insulator	39	*	Block, contact
13	*	Lug	40	*	Pin, clevis
14	*	Cover, rectifier	41	*	Screw, drive link
15	*	Switch, miniature	42	294544	Rectifier (snubber no longer required because of improved rectifier)
16	*	Terminal, engine start	43	*	Bracket, solenoid retaining
17	*	Screw, shunt	44	*	Frame, solenoid
18	*	Bracket, spring	45	*	Screw, rectifier cover
19	*	Retainer, spring	46	*	Cover, rectifier
20	*	Spring, arcing contact	47	*	Screw, mounting
21	*	Pin, pivot	48	*	Screw, contact mounting
22	*	Pin, cotter	49	*	Washer, lock
23	*	Contact assembly, moveable arcing contact	50	*	Washer, flat
24	*	Cover, contact	51	*	Harness, contactor
25	*	Bolt, hex head			
26	*	Washer, lock			
27	*	Clamp, shaft			

Item 1, Coil Kit

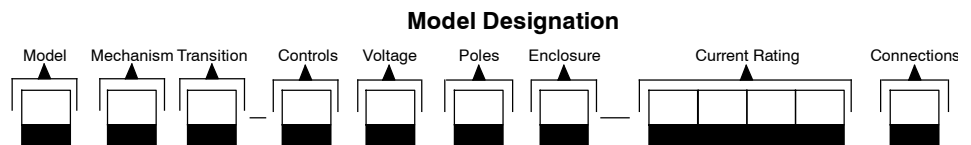
Transition	Voltage Code(s)	Voltage	Poles/Wires Code	Poles/Wires	Amps	Connection Code	Part Number
P	C	208	V, W, Z	4	150-400	S	GM24306
P	D, F	220-240	V, W, Z	4	150-400	S	GM24307
P	G, H, J	380-416	V, W, Z	4	150-400	S	GM24308
P	M	460-480	V, W, Z	4	150-400	S	GM24309
P	N	600	V, W, Z	4	150-400	S	GM24310
C, P, S	C	208	N, T, V	2, 3, 4	600-1200	S	GM24306
C, P, S	D, F	220-240	N, T, V	2, 3, 4	600-1200	S	GM24307
C, P, S	G, H, J	380-416	N, T, V	2, 3, 4	600-1200	S	GM24308
C, P, S	M	460-480	N, T, V	2, 3, 4	600-1200	S	GM24309
C, P, S	N	600	N, T, V	2, 3, 4	600-1200	S	GM24310

Item 2, Solenoid Assembly (Includes Coil Kit)

Transition	Voltage Code(s)	Voltage	Poles/Wires Code	Poles/Wires	Amps	Connection Code	Part Number
P	C	208	V, W, Z	4	150-400	S	GM24315
P	D, F	220-240	V, W, Z	4	150-400	S	GM24316
P	G, H, J	380-416	V, W, Z	4	150-400	S	GM24317
P	M	460-480	V, W, Z	4	150-400	S	GM24318
P	N	600	V, W, Z	4	150-400	S	GM24319
C, P, S	C	208	N, T, V	2, 3, 4	600-1200	S	GM24315
C, P, S	D, F	220-240	N, T, V	2, 3, 4	600-1200	S	GM24316
C, P, S	G, H, J	380-416	N, T, V	2, 3, 4	600-1200	S	GM24317
C, P, S	M	460-480	N, T, V	2, 3, 4	600-1200	S	GM24318
C, P, S	N	600	N, T, V	2, 3, 4	600-1200	S	GM24319

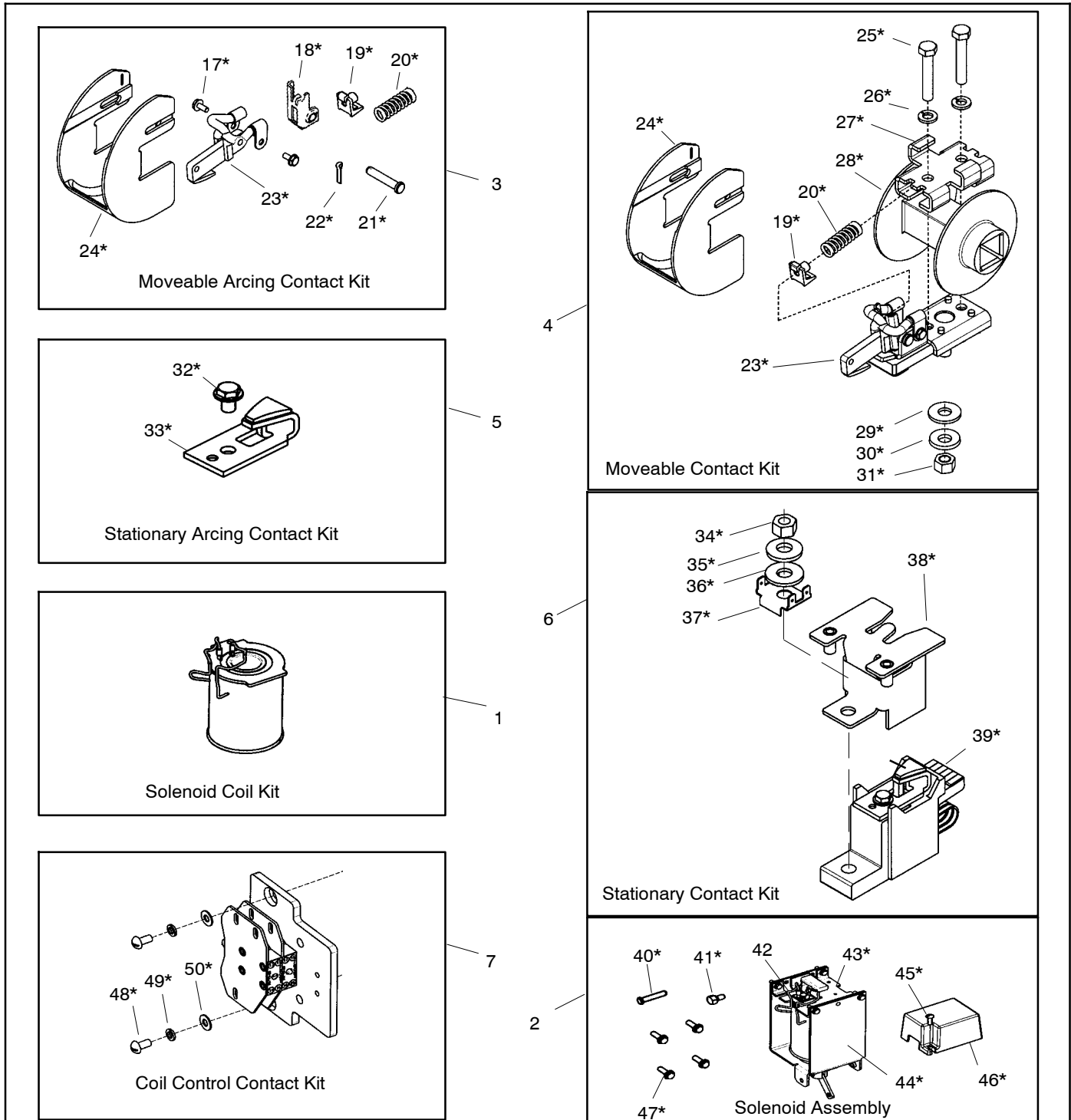
* Serviceable items without part numbers are available by recording the serial numbers and model designation below and contacting your supplier of Kohler Co. parts. See Introduction for more instructions.

Transfer Switch Serial Number
Contactor Serial Number



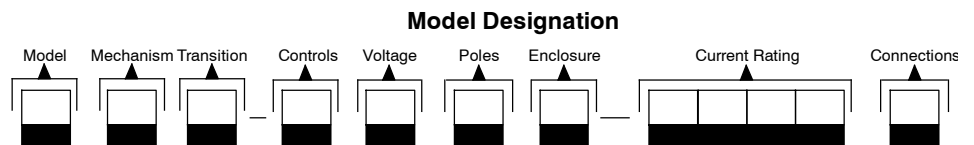
Contactor, Model KCS & KCP (Connection Code S)

150-400 Amp (4-pole KCP)
600-1200 Amp (KCS), 800-1200 Amp KCC, KCP



* Serviceable items without part numbers are available by recording the serial numbers and model designation below and contacting your supplier of Kohler Co. parts. See Introduction for more instructions.

Transfer Switch Serial Number
Contactor Serial Number



Contactor, Model KCS & KCP (Connection Code S)

150-400 Amp (4-pole KCP)

600-1200 Amp (KCS), 800-1200 Amp KCC, KCP

Item	Part Number	Description	Item	Part Number	Description
1	See chart	Kit, coil	28	*	Insulator, shaft
2	See chart	Solenoid assembly (includes coil kit)	29	*	Washer, flat
3	GM24312	Contact, moveable arcing	30	*	Washer, disc
4	GM24313	Contact assembly, moveable arcing and main	31	*	Nut, hex
5	GM24314	Contact kit, stationary arcing	32	*	Screw, 1/4-20 x 3/8 in.
6	GM24311	Contact assembly, stationary	33	*	Contact, arcing
7	GM24320	Contact, coil control	34	*	Nut, hex
8	GM24237	Lubrication kit	35	*	Washer, disc
9	*	Handle, manual operating	36	*	Washer, flat
10	*	Chute, arc	37	*	Plate, terminal
11	GM63213	Barrier	38	*	Bracket, arc chute mounting
12	*	Nut, insulator	39	*	Block, contact
13	*	Lug	40	*	Pin, clevis
14	*	Cover, rectifier	41	*	Screw, drive link
15	*	Switch, miniature	42	294544	Rectifier (snubber no longer required because of improved rectifier)
16	*	Terminal, engine start	43	*	Bracket, solenoid retaining
17	*	Screw, shunt	44	*	Frame, solenoid
18	*	Bracket, spring	45	*	Screw, rectifier cover
19	*	Retainer, spring	46	*	Cover, rectifier
20	*	Spring, arcing contact	47	*	Screw, mounting
21	*	Pin, pivot	48	*	Screw, contact mounting
22	*	Pin, cotter	49	*	Washer, lock
23	*	Contact assembly, moveable arcing contact	50	*	Washer, flat
24	*	Cover, contact	51	*	Harness, contactor
25	*	Bolt, hex head			
26	*	Washer, lock			
27	*	Clamp, shaft			

Item 1, Coil Kit

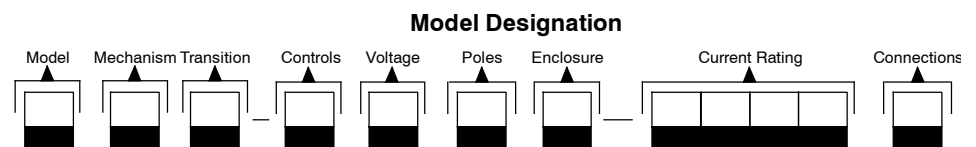
Transition	Voltage Code(s)	Voltage	Poles/Wires Code	Poles/Wires	Amps	Connection Code	Part Number
P	C	208	V, W, Z	4	150-400	S	GM24306
P	D, F	220-240	V, W, Z	4	150-400	S	GM24307
P	G, H, J	380-416	V, W, Z	4	150-400	S	GM24308
P	M	460-480	V, W, Z	4	150-400	S	GM24309
P	N	600	V, W, Z	4	150-400	S	GM24310
P, S	C	208	N, T, V	2, 3, 4	600-1200	S	GM24306
P, S	D, F	220-240	N, T, V	2, 3, 4	600-1200	S	GM24307
P, S	G, H, J	380-416	N, T, V	2, 3, 4	600-1200	S	GM24308
P, S	M	460-480	N, T, V	2, 3, 4	600-1200	S	GM24309
P, S	N	600	N, T, V	2, 3, 4	600-1200	S	GM24310

Item 2, Solenoid Assembly (Includes Coil Kit)

Transition	Voltage Code(s)	Voltage	Poles/Wires Code	Poles/Wires	Amps	Connection Code	Part Number
P	C	208	V, W, Z	4	150-400	S	GM24315
P	D, F	220-240	V, W, Z	4	150-400	S	GM24316
P	G, H, J	380-416	V, W, Z	4	150-400	S	GM24317
P	M	460-480	V, W, Z	4	150-400	S	GM24318
P	N	600	V, W, Z	4	150-400	S	GM24319
P, S	C	208	N, T, V	2, 3, 4	600-1200	S	GM24315
P, S	D, F	220-240	N, T, V	2, 3, 4	600-1200	S	GM24316
P, S	G, H, J	380-416	N, T, V	2, 3, 4	600-1200	S	GM24317
P, S	M	460-480	N, T, V	2, 3, 4	600-1200	S	GM24318
P, S	N	600	N, T, V	2, 3, 4	600-1200	S	GM24319

* Serviceable items without part numbers are available by recording the serial numbers and model designation below and contacting your supplier of Kohler Co. parts. See Introduction for more instructions.

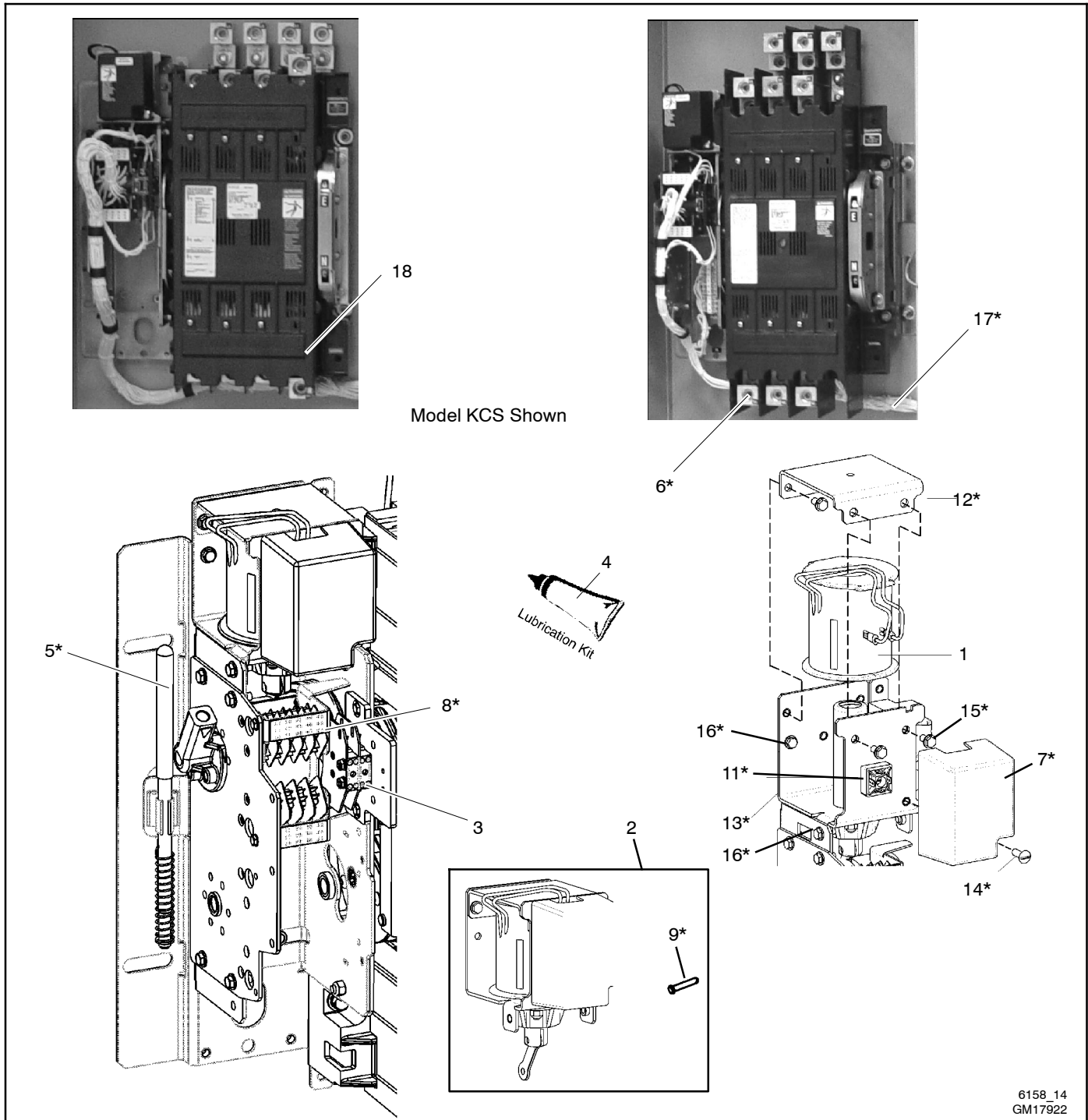
Transfer Switch Serial Number
Contactor Serial Number



Contactor, Model KCC/KCS/KCP/KBS/KBP (Connection Code B)

150-600 Amp KCC/KBC/KCP/KBP/KBS

260-600 Amp KCS



* Serviceable items without part numbers are available by recording the serial numbers and model designation below and contacting your supplier of Kohler Co. parts. See Introduction for more instructions.

Transfer Switch Serial Number
Contactor Serial Number

Model Designation

Model	Mechanism	Transition	Controls	Voltage	Poles	Enclosure	Current Rating	Connections
□	□	□	□	□	□	□	□ □ □ □	□
■	■	■	■	■	■	■	■ ■ ■ ■	■

Contactor, Model KCC/KCS/KCP/KBS/KBP (Connection Code B)

150-600 Amp KCC/KBC/KCP/KBP/KBS

260-600 Amp KCS

Item	Part Number	Description	Item	Part Number	Description
1	See chart	Kit, coil	9	*	Pin, clevis
2	See chart	Solenoid assembly (entire solenoid with frame, coil, core tube, core spring, and core and link)	10	*	Screw, link pin retaining (not shown)
3	GM66285	Contacts, coil clearing	11	*	Rectifier
4	GM24237	Lubrication kit	12	*	Bracket, solenoid retaining
5	*	Handle, manual operating	13	*	Frame, solenoid
6	*	Lug	14	*	Screw, rectifier cover
7	*	Cover, rectifier	15	*	Screw, bracket mounting
8	*	Auxiliary contact assy.	16	*	Screw, solenoid mounting, 1/4-20 x 3/4 in.
			17	*	Harness, contactor
			18	See next page	Contactor assembly

Item 1, Coil Kit

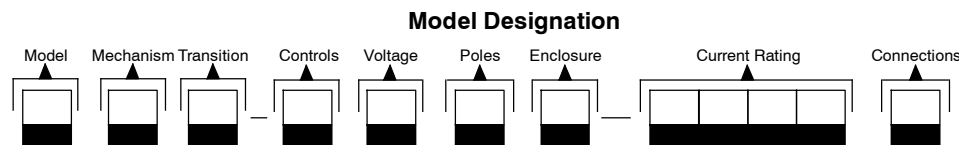
Transition	Voltage Code(s)	Voltage	Poles/Wires Code	Poles/Wires	Amps	Connection Code	Part Number
C, P	C,D,F,R	208-240	N,T,V,W,Z	2,3,4	150-600	B	GM60468
C, P	G,H,J,P	380-416	N,T,V,W,Z	2,3,4	150-600	B	GM60469
C, P	K,M	480	N,T,V,W,Z	2,3,4	150-600	B	GM60470
C, P	N	600	N,T,V,W,Z	2,3,4	150-600	B	GM60471
S	C,D,F,R	208-240	N,T,V,W,Z	2,3,4	230-600	B	GM60468
S	G,H,J,P	380-416	N,T,V,W,Z	2,3,4	230-600	B	GM60469
S	K,M	480	N,T,V,W,Z	2,3,4	230-600	B	GM60470
S	N	600	N,T,V,W,Z	2,3,4	230-600	B	GM60471

Item 2, Solenoid Assembly

Transition	Voltage Code(s)	Voltage	Poles/Wires Code	Poles/Wires	Amps	Connection Code	Part Number
C, P	C,D,F,R	208-240	N,T,V,W,Z	2,3,4	150-600	B	GM60473
C, P	G,H,J,P	380-416	N,T,V,W,Z	2,3,4	150-600	B	GM60474
C, P	K,M	480	N,T,V,W,Z	2,3,4	150-600	B	GM60475
C, P	N	600	N,T,V,W,Z	2,3,4	150-600	B	GM60476
S	C,D,F,R	208-240	N,T,V,W,Z	2,3,4	230-600	B	GM60473
S	G,H,J,P	380-416	N,T,V,W,Z	2,3,4	230-600	B	GM60474
S	K,M	480	N,T,V,W,Z	2,3,4	230-600	B	GM60475
S	N	600	N,T,V,W,Z	2,3,4	230-600	B	GM60476

* Serviceable items without part numbers are available by recording the serial numbers and model designation below and contacting your supplier of Kohler Co. parts. See Introduction for more instructions.

Transfer Switch Serial Number
Contactor Serial Number



Contactor, Model KCS/KCP (Connection Code B)

150-600 Amp KCP

260-600 Amp KCS

Use this table to identify KCS switch contactor part number.

Contactor Part Numbers									
Transition	Poles/ Wires Code	Poles/ Wires	Voltage Code(s)	Voltage	Connection Code	Part Number by Amperage			
						230	260	400	600
S	N	2	C	208	B	-	GM49501	GM49536	GM51929
S	N	2	D, F, R	220-240	B	-	GM49502	GM49537	GM51930
S	N	2	G, P	380-416	B	-	GM49503	GM49538	GM51931
S	N	2	K, M	480	B	-	GM49504	GM49539	GM51932
S	N	3	N	600	B	GM49505	GM49505	GM49540	GM51933
S	Z	3	C	208	B	-	GM49506	GM49541	GM49571
S	Z	3	D, F, R	220-240	B	-	GM49507	GM49542	GM49572
S	Z	3	G, P	380-416	B	-	GM49508	GM49543	GM49573
S	Z	3	K, M	480	B	-	GM49509	GM49544	GM49574
S	Z	3	N	600	B	GM49510	GM49510	GM49545	GM49575
S	V	4	C	208	B	-	GM49511	GM49546	GM49576
S	V	4	D, F, R	220-240	B	-	GM49512	GM49547	GM49577
S	V	4	G, P	380-416	B	-	GM49513	GM49548	GM49578
S	V	4	K, M	480	B	-	GM49514	GM49549	GM49579
S	V	4	N	600	B	GM49515	GM49515	GM49550	GM49580
S	W	4	C	208	B	-	GM49521	GM49551	GM49581
S	W	4	D, F, R	220-240	B	-	GM49522	GM49552	GM49582
S	W	4	G, P	380-416	B	-	GM49523	GM49553	GM49583
S	W	4	K, M	480	B	-	GM49524	GM49554	GM49584
S	W	4	N	600	B	GM49525	GM49525	GM49555	GM49585
S	T	3	C	208	B	-	GM49531	GM49561	GM49566
S	T	3	D, F, R	220-240	B	-	GM49532	GM49562	GM49567
S	T	3	G, P	380-416	B	-	GM49533	GM49563	GM49568
S	T	3	K, M	480	B	-	GM49534	GM49564	GM49569
S	T	3	N	600	B	GM49535	GM49535	GM49565	GM49570

Use this table to identify KCP switch contactor part number.

Contactor Part Numbers										
Transition	Poles/ Wires Code	Poles/ Wires	Voltage Code(s)	Voltage	Con- nect. Code	Part Number by Amperage				
						150	225	260	400	600
P	N	2	C	208	B	GM49392	GM49416	GM49442	GM49467	GM51934
P	N	2	D, F, R	220-240	B	GM49391	GM49417	GM49450	GM49475	GM51935
P	N	2	G, P	380-416	B	GM49393	GM49418	GM49443	GM49468	GM51936
P	N	2	K, M	480	B	GM49400	GM49419	GM49441	GM49466	GM51937
P	N	3	N	600	B	GM49394	GM49420	GM49444	GM49469	GM51938
P	Z	3	C	208	B	GM49395	GM49421	GM49445	GM49470	GM49490
P	Z	3	D, F, R	220-240	B	GM49396	GM49422	GM49446	GM49471	GM49489
P	Z	3	G, P	380-416	B	GM49397	GM49423	GM49447	GM49472	GM49488
P	Z	3	K, M	480	B	GM49398	GM49424	GM49448	GM49473	GM49487
P	Z	3	N	600	B	GM49399	GM49425	GM49449	GM49474	GM49486
P	V	4	C	208	B	GM49402	GM49426	GM49452	GM49477	GM49495
P	V	4	D, F, R	220-240	B	GM49403	GM49427	GM49453	GM49478	GM49494
P	V	4	G, P	380-416	B	GM49404	GM49428	GM49454	GM49479	GM49493
P	V	4	K, M	480	B	GM49405	GM49429	GM49455	GM49480	GM49492
P	V	4	N	600	B	GM49401	GM49430	GM49451	GM49476	GM49491
P	T	3	C	208	B	GM49385	GM49411	GM49435	GM49460	GM49485
P	T	3	D, F, R	220-240	B	GM49386	GM49412	GM49436	GM49461	GM49484
P	T	3	G, P	380-416	B	GM49387	GM49413	GM49437	GM49462	GM49483
P	T	3	K, M	480	B	GM49388	GM49414	GM49438	GM49463	GM49482
P	T	3	N	600	B	GM49389	GM49415	GM49439	GM49464	GM49481

Contactor, Model KCC (Connection Code B)

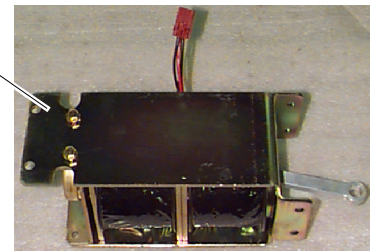
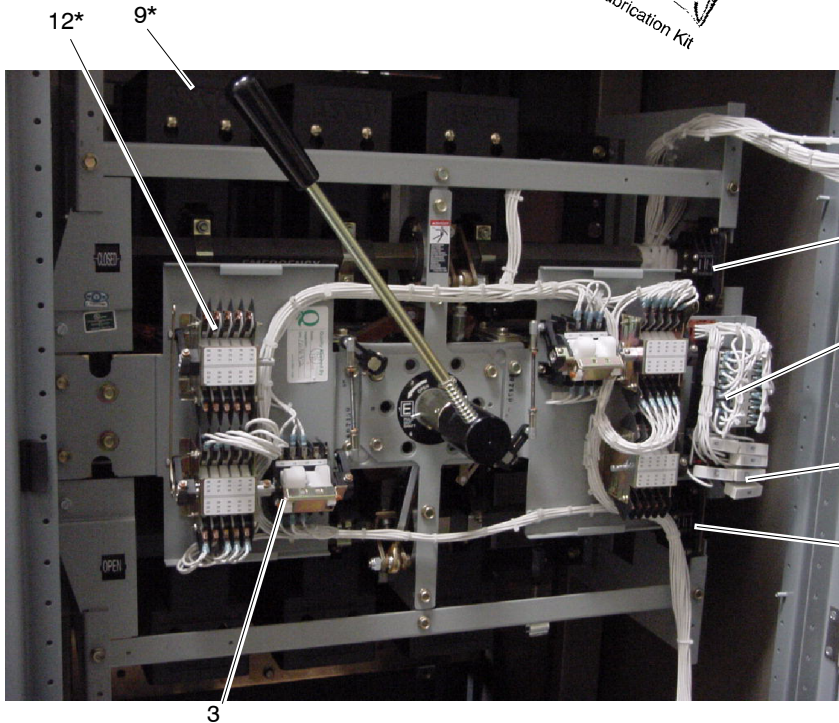
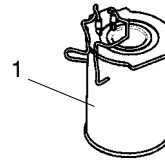
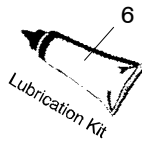
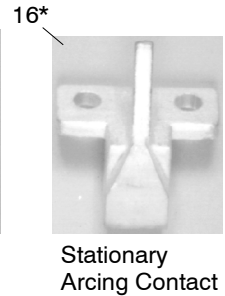
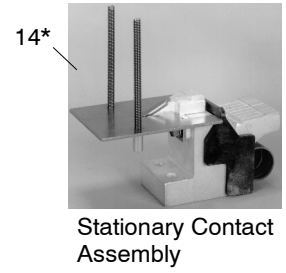
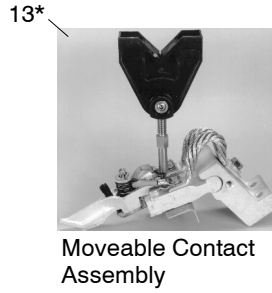
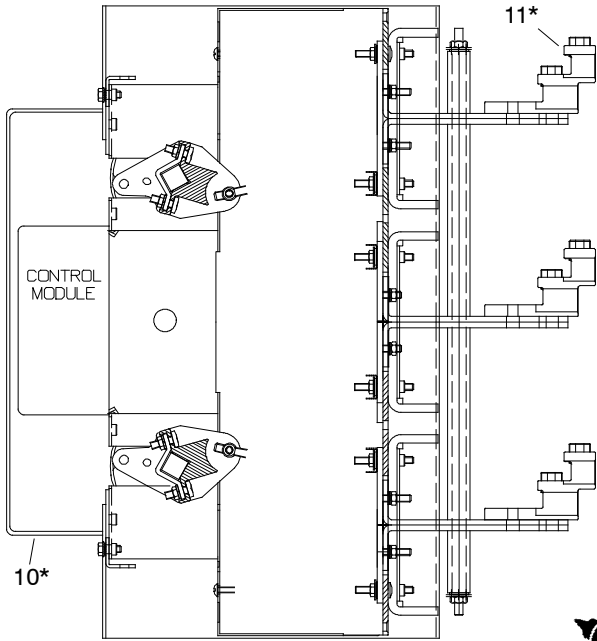
150-600 Amp KCC

Use this table to identify KCC switch contactor part number.

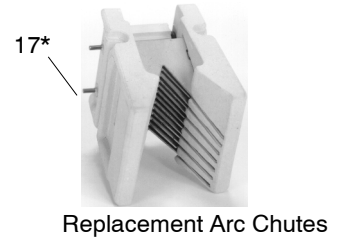
Contactor Part Numbers									
Transition	Poles/ Wires Code	Poles/ Wires	Voltage Code(s)	Voltage	Con- nect. Code	Part Number by Amperage			
						150	260	400	600
C	N	2	C	208	B	GM67512	GM67552	GM67572	GM67592
C	N	2	D, F, R	220-240	B	GM67513	GM67553	GM67573	GM67593
C	N	2	G, P	380-416	B	GM67514	GM67554	GM67574	GM67594
C	N	2	K, M	480	B	GM67515	GM67555	GM67575	GM67595
C	N	3	N	600	B	GM67516	GM67556	GM67576	GM67596
C	T	3	C	208	B	GM67517	GM67557	GM67577	GM67597
C	T	3	D, F, R	220-240	B	GM67518	GM67558	GM67578	GM67598
C	T	3	G, P	380-416	B	GM67519	GM67559	GM67579	GM67598
C	T	3	K, M	480	B	GM67520	GM67560	GM67580	GM67600
C	T	3	N	600	B	GM67521	GM67561	GM67581	GM67601
C	Z	3	C	208	B	GM67522	GM67562	GM67582	GM67602
C	Z	3	D, F, R	220-240	B	GM67523	GM67563	GM67583	GM67603
C	Z	3	G, P	380-416	B	GM67524	GM67564	GM67584	GM67604
C	Z	3	K, M	480	B	GM67525	GM67565	GM67585	GM67605
C	Z	3	N	600	B	GM67526	GM67566	GM67586	GM67606
C	V	4	C	208	B	GM67527	GM67567	GM67587	GM67607
C	V	4	D, F, R	220-240	B	GM67528	GM67568	GM67588	GM67608
C	V	4	G, P	380-416	B	GM67529	GM67569	GM67589	GM67609
C	V	4	K, M	480	B	GM67530	GM67570	GM67590	GM67610
C	V	4	N	600	B	GM67531	GM67571	GM67591	GM67611

Contactor, Model KCC, KCS, & KCP 1600-3000 Amp

P/N GM20394 1600 Amp Shown



Solenoid Assembly
(includes entire solenoid with frame, coils, core tube, core spring, core, and link)

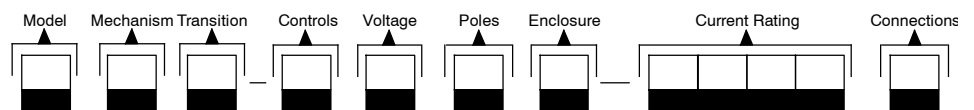


6158_16

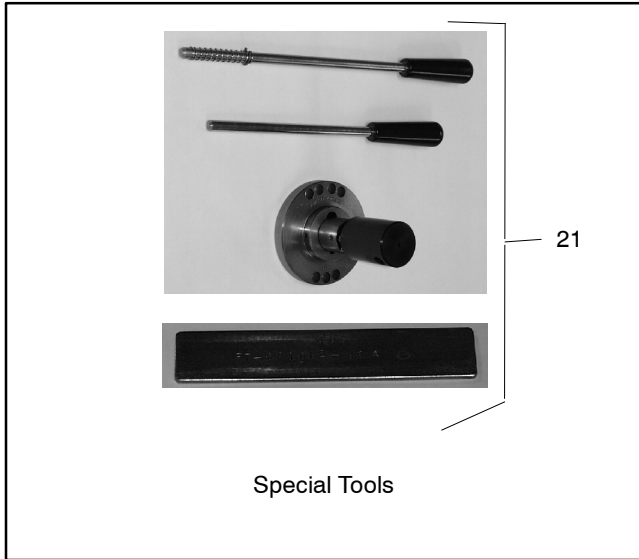
* Serviceable items without part numbers are available by recording the serial numbers and model designation below and contacting your supplier of Kohler Co. parts. See Introduction for more instructions.

Transfer Switch Serial Number
Contactor Serial Number

Model Designation



Contactor, Model KCC, KCS, & KCP 1600-3000 Amp



Item	Part Number	Description
1	See chart	Kit, coil
2	See chart	Solenoid assembly
3	GM69956	Contact, coil control
4	See chart	Module, control (includes item 5)
5	See chart	Relay, control module (SER, ERR)
6	GM24237	Lubrication kit
9	*	Barrier
10	*	Cover
11	*	Lug
12	*	Switch, miniature
13	*	Contact assembly, moveable
14	*	Contact assembly, stationary
14	GM66138	Contact assembly, stationary (1600 A)
15	*	Contact, moveable arcing
16	*	Contact, stationary arcing
17	*	Chute, arc
18	*	Contacts, auxiliary
21	GM61745	Handle kit, contactor adjustment

Item 1, Coil Kit

Voltage Code(s)	Voltage	Poles/Wires Code	Poles/Wires	Amps	Part Number
C	208	N, T, V	2, 3, 4	1600-2000	GM24301
D, F	220-240	N, T, V	2, 3, 4	1600-2000	GM24302
G, H, J	380-416	N, T, V	2, 3, 4	1600-2000	GM24303
M	460-480	N, T, V	2, 3, 4	1600-2000	GM24304
N	600	N, T, V	2, 3, 4	1600-2000	GM24305

Item 2, Solenoid Assembly

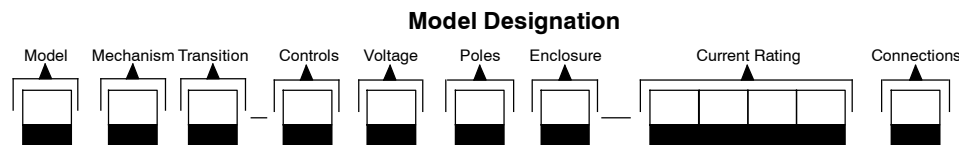
Voltage Code(s)	Voltage	Poles/Wires Code	Poles/Wires	Amps	Part Number
C	208	N, T, V	2, 3, 4	1600-2000	GM24290
D, F	220-240	N, T, V	2, 3, 4	1600-2000	GM24291
G, H, J	380-416	N, T, V	2, 3, 4	1600-2000	GM24292
M	460-480	N, T, V	2, 3, 4	1600-2000	GM24293
N	600	N, T, V	2, 3, 4	1600-2000	GM24294

Items 4 and 5, Control Module and Relay

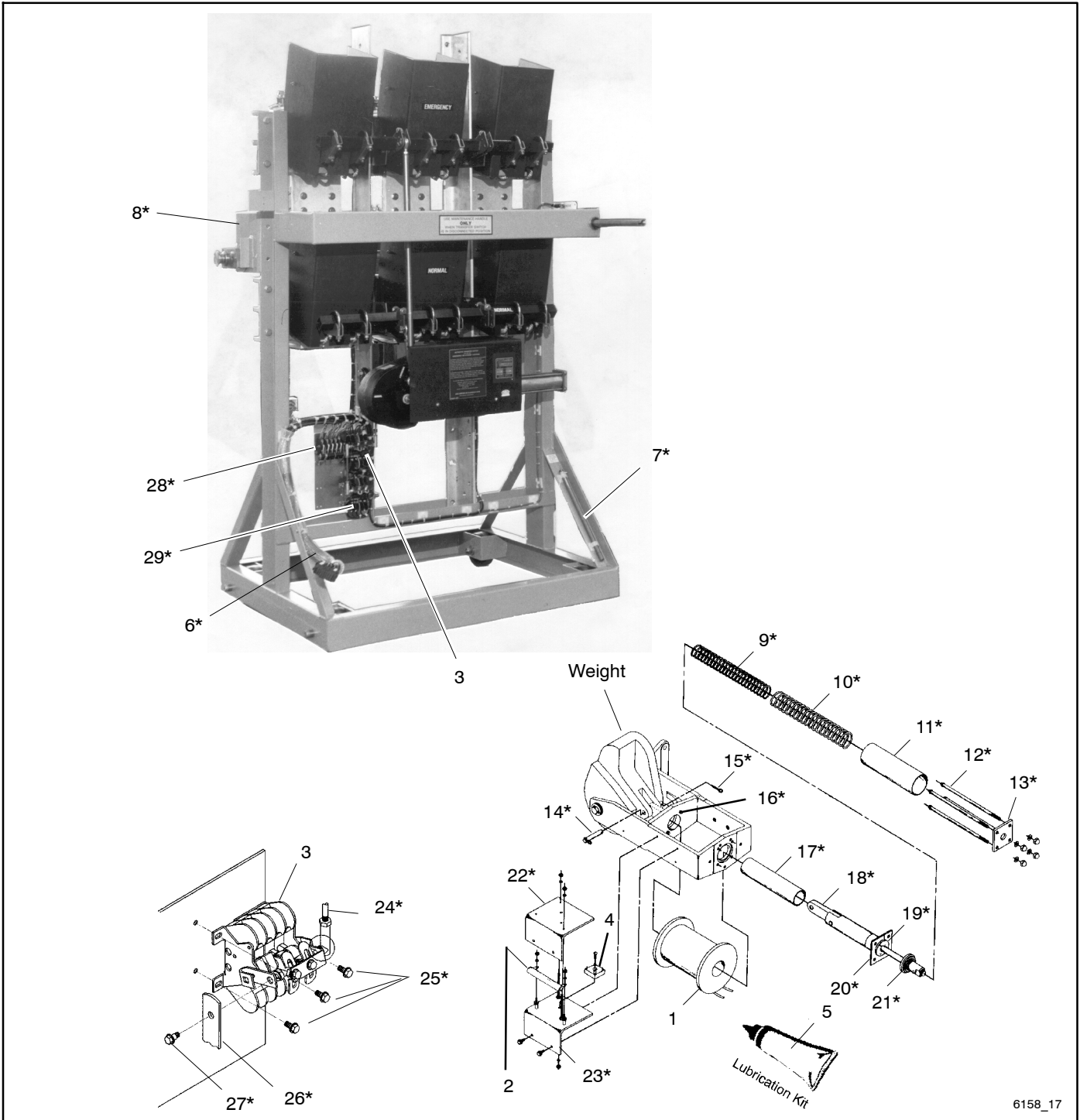
Voltage Code (s)	Voltage	Part Number	
		Item 4, Module	Item 5, Relay
C	208	GM24300	GM24295
D, F	220-240	GM52602	GM24296
G, H, J	380-416	GM52603	GM24297
M	460-480	GM52604	GM24298
N	600	GM52605	GM24299

* Serviceable items without part numbers are available by recording the serial numbers and model designation below and contacting your supplier of Kohler Co. parts. See Introduction for more instructions.

Transfer Switch Serial Number
Contactor Serial Number



Contactor, Model KCS & KCP 4000 Amp



* Serviceable items without part numbers are available by recording the serial numbers and model designation below and contacting your supplier of Kohler Co. parts. See Introduction for more instructions.

Transfer Switch Serial Number
Contactor Serial Number

Model Designation

Model	Mechanism	Transition	Controls	Voltage	Poles	Enclosure	Current Rating	Connections
□	□	□	□	□	□	□	□ □ □ □	□
■	■	■	■	■	■	■	■ ■ ■ ■	■

Contactor, Model KCS & KCP 4000 Amp

Item	Part Number	Description
1	See chart	Kit, coil
2	See chart	Resistor
3	GM24238	Contact, coil control
4	294544	Rectifier (snubber no longer required because of improved rectifier)
5	GM24237	Lubrication kit
6	*	Harness, contactor
7	*	Handle, manual operating
8	*	Lug
9	*	Spring, inside
10	*	Spring, outside
11	*	Tube, spring
12	*	Rod
13	*	Plate, retaining
14	*	Pin, pivot
15	*	Pin, cotter
16	*	Screw, coil clamping
17	*	Tube, core
18	*	Stem, core and link assembly
19	*	Washer, leather
20	*	Plate, cover
21	*	Stop, core
22	*	Cover, rectifier
23	*	Panel, rectifier mounting
24	*	Link, upper drive
25	*	Screw, mounting
26	*	Link, lower drive
27	*	Screw, #10-32 shoulder
28	*	Switches, miniature
29	*	Contacts, auxiliary

Item 1, Coil Kit

Voltage Code(s)	Voltage	Poles/Wires Code	Poles/Wires	Amps	Part Number
C	208	T, V	3 & 4	4000	GM24288
D, F	220-240	T, V	3 & 4	4000	GM24286
G, H, J	380-416	T, V	3 & 4	4000	GM24289
M	460-480	T, V	3 & 4	4000	GM24287

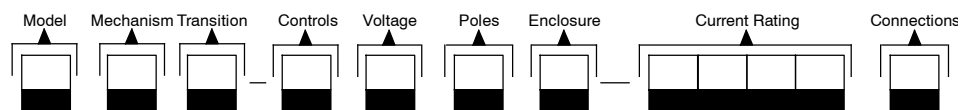
Item 2, Resistor

Voltage Code(s)	Voltage	Part Number
C	208	GM24249
D, F	220-240	GM24246
G, H, J	380-416	GM24247
M	460-480	GM24248

* Serviceable items without part numbers are available by recording the serial numbers and model designation below and contacting your supplier of Kohler Co. parts. See Introduction for more instructions.

Transfer Switch Serial Number
Contactor Serial Number

Model Designation



Contactor, 4000 Amp With Decision-Maker MPAC

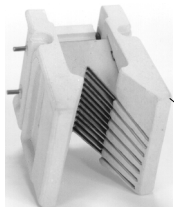


ATS1200

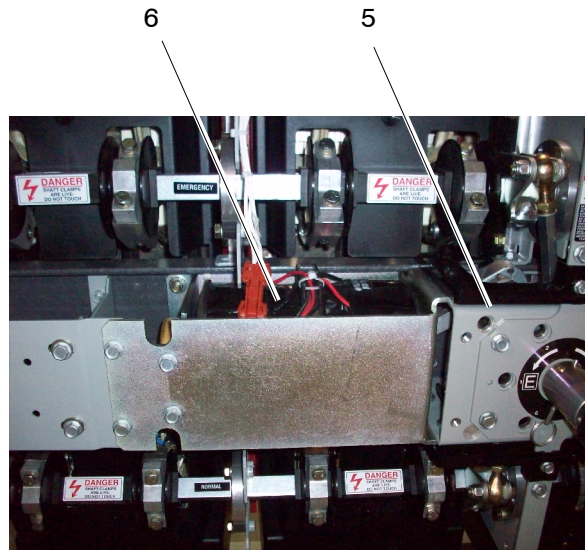
ATS1500



1

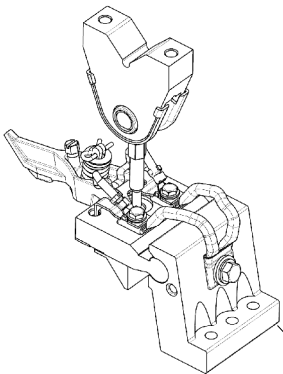


2

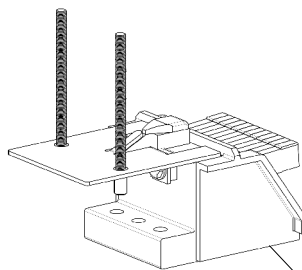


6

5



3



4

* Serviceable items without part numbers are available by recording the serial numbers and model designation below and contacting your supplier of Kohler Co. parts. See Introduction for more instructions.

Transfer Switch Serial Number
Contactor Serial Number

Model Designation

Model	Mechanism	Transition	Controls	Voltage	Poles	Enclosure	Current Rating	Connections
□	□	□	□	□	□	□	□ □ □ □	□
■	■	■	■	■	■	■	■ ■ ■ ■	■

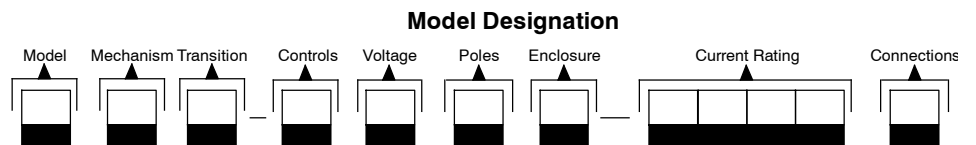
Contactor, 4000 Amp With Decision-Maker MPAC

Item		
1	GM93665	Kit, contact adjustment handle (includes maintenance handle, adjusting pin, adjusting hub)
2	GM93666	Arc Chute
3	GM93667	Contact assembly, moveable
4	GM93668	Contact assembly, stationary
5	GM93679	Kit, frame cover insulator
6	See chart	Solenoid assembly (include 1 entire solenoid with frame, coils, core tube, core spring, core, and link)

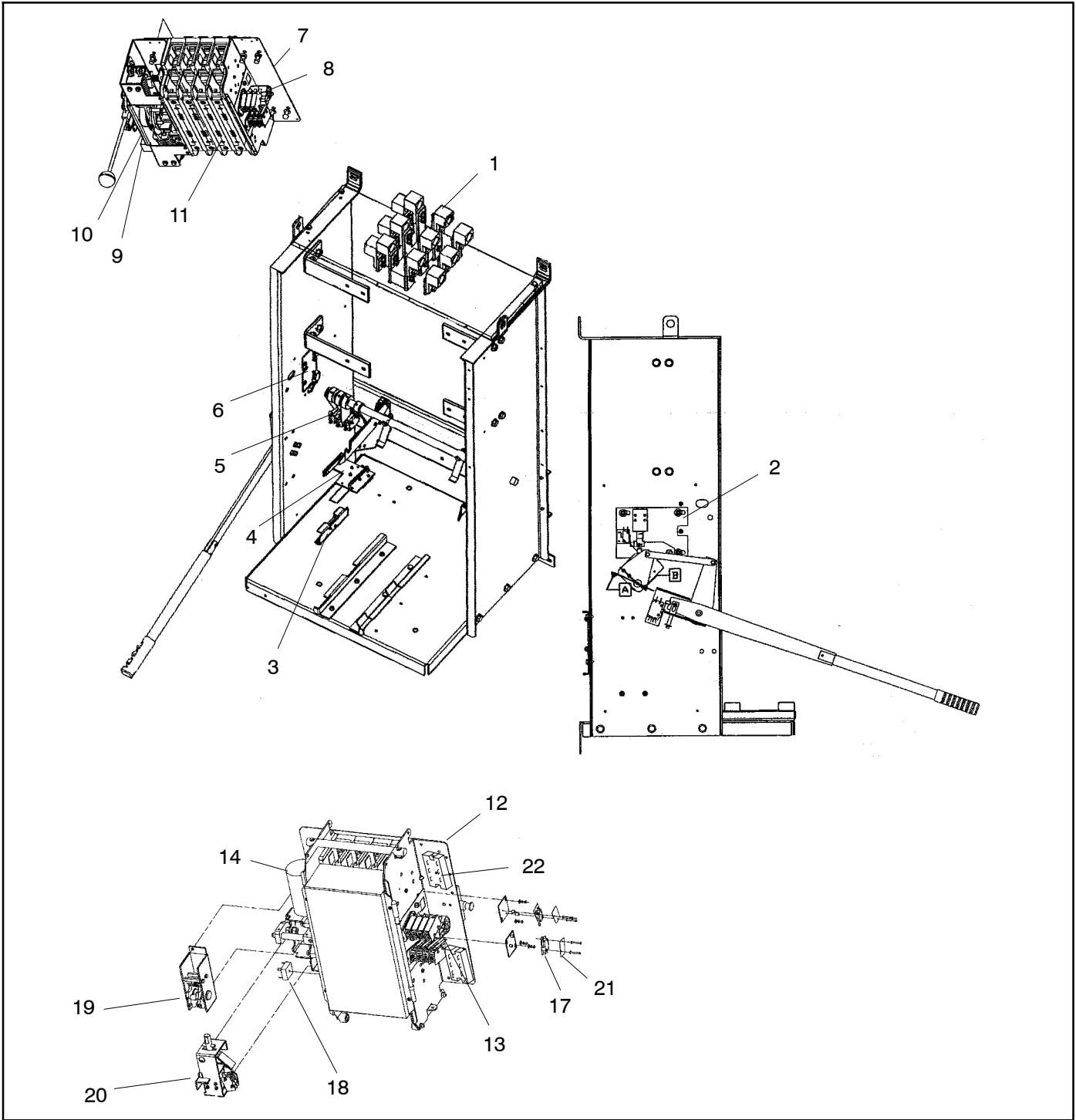
Item 6, Solenoid Assembly		Item 6, Solenoid Assembly			
Model Code	Voltage Code(s)	Voltage	Amps	Part Number	
KCS, KBS	C	190-208	4000	GM93669	
	D, F	220-240	4000	GM93670	
	G, H	380-400	4000	GM93671	
	K, M	440-480	4000	GM93672	
	N	550-600	4000	GM93673	
KCC, KBC, KCP, KBP	C	190-208	4000	GM93674	
	D, F	220-240	4000	GM93675	
	G, H	380-400	4000	GM93676	
	K, M	440-480	4000	GM93677	
	N	550-600	4000	GM93678	

* Serviceable items without part numbers are available by recording the serial numbers and model designation below and contacting your supplier of Kohler Co. parts. See Introduction for more instructions.

Transfer Switch Serial Number
Contactor Serial Number



Contactor, Model KGP 100-400 Amp



* Serviceable items without part numbers are available by recording the serial numbers and model designation below and contacting your supplier of Kohler Co. parts. See Introduction for more instructions.

Transfer Switch Serial Number
Contactor Serial Number

Model Designation

Model	Mechanism	Transition	Controls	Voltage	Poles	Enclosure	Current Rating	Connections
□	□	□	□	□	□	□	□ □ □ □	□
■	■	■	■	■	■	■	■ ■ ■ ■	■

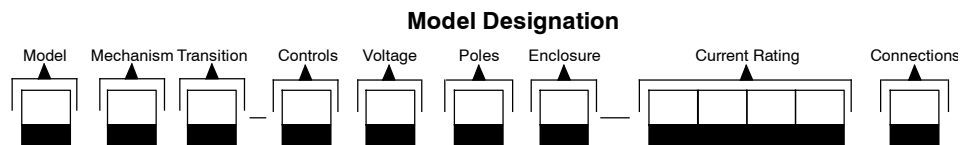
Contactor, Model KGP

100-400 Amp

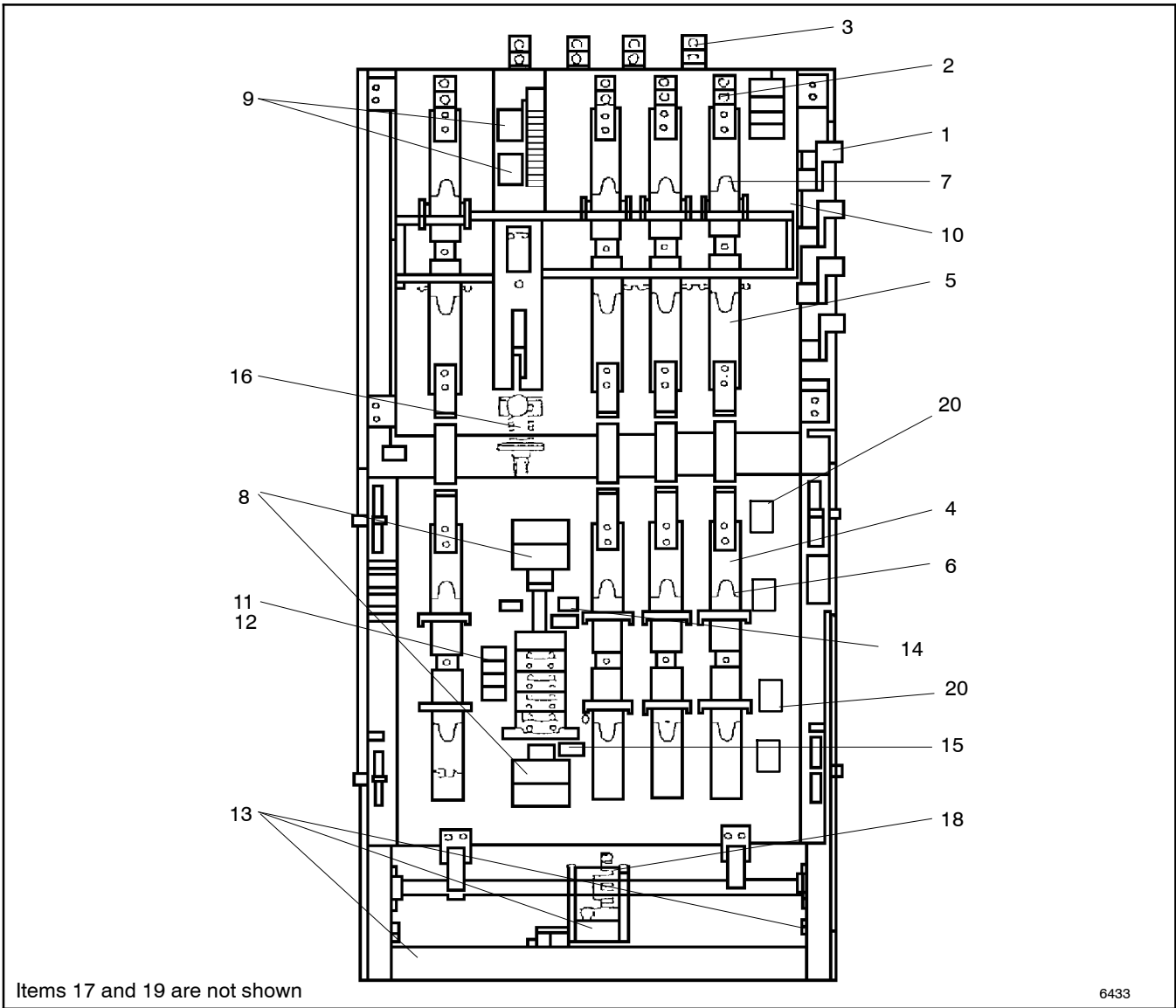
Item	Description	Part Number		
1	Lugs, cable connection	321743		
2	Interlock assembly	GM39154		
3	Switch, roller arm limit	321818		
4	Switch assembly, position indicator s	GM39135		
5	Switch, limit	321821		
6	Switch assembly	GM39153		
7	Panel, top power, 2-pole	GM39136		
7	Panel, top power, 3-pole	GM39137		
7	Panel, top power, 4-pole	GM39138		
8	Switch assembly, limit	GM39156		
9	Solenoid, ATS release	321815		
10	Switch, roller arm limit	321818		
11	Arc chute assembly	GM39145		
12	Panel, bottom power, 2-pole	GM39142		
12	Panel, bottom power, 3-pole	GM39143		
12	Panel, bottom power, 4-pole	GM39144		
13	Switch assembly, limit	GM39155		
14	Solenoid assembly	Volts		
		120	GM39159	
		208/240	GM39160	
		380/415	GM39161	
		480	GM39162	
17	Switch, simulated roller limit	575/600	GM39163	
18	Rectifier		GM39166	
18	Rectifier (above 380 V)		GM39165	
19	Module, cam		GM39146	
20	Solenoid assembly	Volts		
		120	GM39147	
		208	GM39148	
		240	GM39149	
		380/415	GM39150	
		480	GM39151	
575/600	GM39152			
21	Insulator, switch		362203	
22	SCR	Amp	Volts	
		50	480 & below	GM49357
		75	480 & below	GM49372
		50	600	GM49373
		75	600	GM49374

* Serviceable items without part numbers are available by recording the serial numbers and model designation below and contacting your supplier of Kohler Co. parts. See Introduction for more instructions.

Transfer Switch Serial Number
Contactor Serial Number

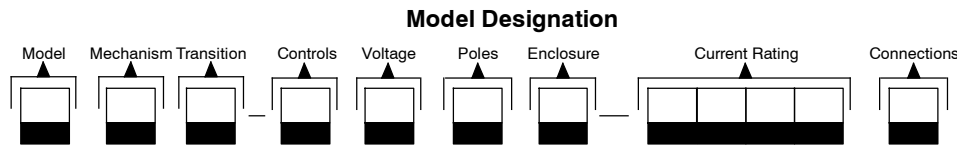


Contactor, Model KGP 600-1200 Amp



* Serviceable items without part numbers are available by recording the serial numbers and model designation below and contacting your supplier of Kohler Co. parts. See Introduction for more instructions.

Transfer Switch Serial Number
Contactor Serial Number



Contactor, Model KGP

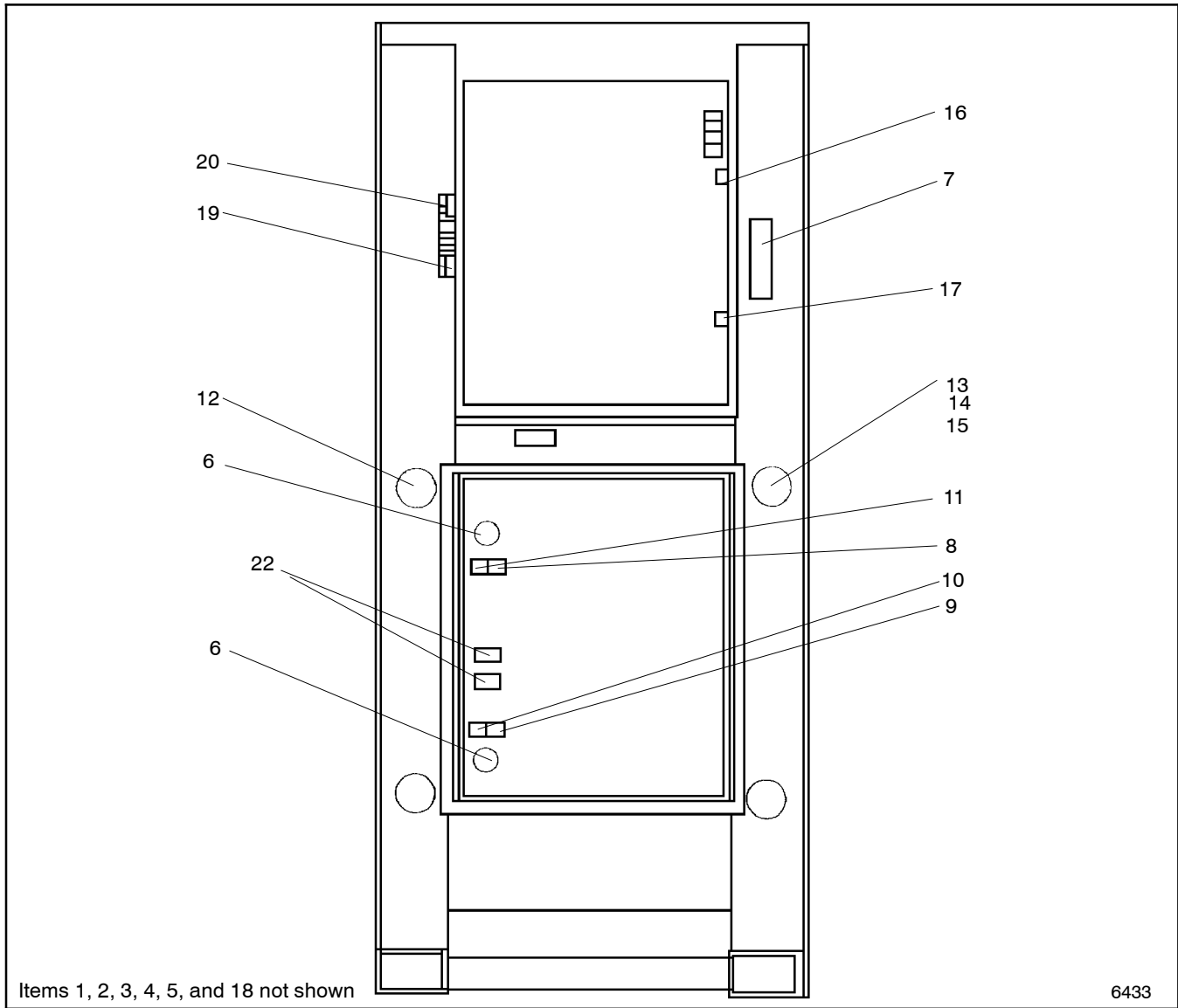
600-1200 Amp

Item	Description	Part Number by Amperage			
		600	800	1000	1200
1	Lugs, normal	321843	321853	321854	321854
2	Lugs, emergency	321744	321745	321746	321746
3	Lugs, load	321744	321745	321746	321746
4	Contact assembly, stationary bypass*	321847	346583 321895	346583 321895	346583 321895
5	Contact assembly, stationary, ATS*	321847	346583	346583	346583
6	Arc chute assembly kit*	321753	321753	321753	321753
7	Contact assembly, moveable*	321876	321880	321880	321880
	Contact, moveable (switched neutral)*	321876	321816	321816	321816

* All kits include the parts for one contact, therefore, each pole requires two kits.

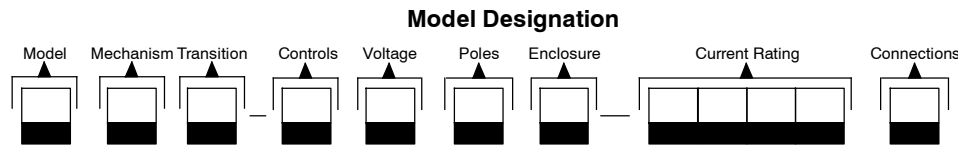
Item	Description	Part Number by Amperage							
		600	800	1000	1200				
8	ATS Main operating coils	Part Numbers By Amperage							
	Voltage System								
	Volts	Ph	Wire	Coil Volts	Pole	600	800	1000	1200
	120	1	2	120	2	Consult factory	Consult factory	Consult factory	Consult factory
	120/240	1	2	240	2	Consult factory	Consult factory	Consult factory	Consult factory
	120/240	1	2	240	3	321811	321813	321813	321813
	120/240	3	4	240	3	321811	321813	321813	321813
	120/208	3	4	208	3,4	321811	321813	321813	321813
	480	3	3	480	3	321812	321814	321814	321814
	277/480	3	4	480	3	321812	321814	321814	321814
	277/480	3	4	480	4	321812	321814	321814	321814
	240/416	3	4	416	3	Consult factory	Consult factory	Consult factory	Consult factory
						Voltage		Part Number	
9	Bypass stepdown transformer 25VA, 24 volt secondary					120/240		321864	
						208/416		321844	
						220/440		321845	
						240/480		321846	
						380		321894	
						575		321848	
						600		321849	
10	Switch Bypass normal position BSS emergency position BSS normal position Limit switch DPOT, lever actuator						321819		
11	ATS auto location switch ATS test Location switch Crank limit switches ATS isolate Location switch Limit switch DPOT, roller actuator							321851 321852 321818 321851 321852	
12	ATS emergency position switch					(SPDT) 296298		(DPDT) 321758	
13	ATS normal position switch (auxiliary contact)					296299		321855	
14	ATS normal position coil cutout switch DPDT						321758		
15	ATS emergency position coil cutout switch DPDT						321856		
16	ATS solenoid disconnect switch Operator 2-position maintain Contact block N.O. Contact block N.O.						321773 296300 321857		
17	Solenoid Emergency interlock Normal interlock						321858		
18	Crank mechanism solenoid						321858		
19	Bypass permissive pushbutton Operator pushbutton Contact block N.O.						321887 321888		
20	SCR	Amp	Volts						
		50	480 & below					GM49357	
		75	480 & below					GM49372	
		50	600					GM49373	
		75	600					GM49374	

Contactor, Model KGP 1600-3000 Amp



* Serviceable items without part numbers are available by recording the serial numbers and model designation below and contacting your supplier of Kohler Co. parts. See Introduction for more instructions.

Transfer Switch Serial Number
Contactor Serial Number



Contactor, Model KGP 1600-3000 Amp

Item	Description	Part Number by Amperage		
		1600	2000	3000
1	Cable connection at rear	321746 (2)	321746	321746
2	Contact assembly, stationary (bypass)*	321870	321870	321871
3	Contact assembly, stationary (ATS)*	321870	321870	321871
4	Arc chute assembly*	321872	321872	321872
5	Contact assembly, moveable*	321757	321757	321873

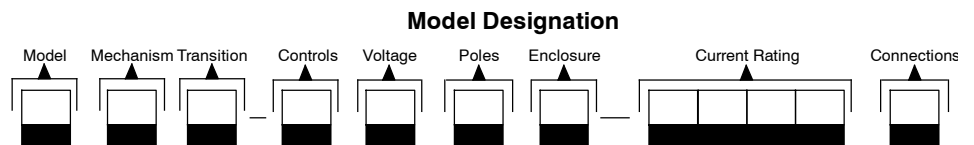
* All kits include the parts for one contact, therefore, each pole requires two kits.

Item	Description	Part Number by Amperage		
		1600	2000	3000
6	ATS Main operating coils			
		Volts	Phase	Wire
		Coil Volts	Pole	
7	120 120/240 240	1 1 3	2 3 3	120 240 240
				2 3 4
	120/208 480 575	3 3 3	4 3 3	208 480 575/600
				3,4 3 3
	277/480 240/416	3 3	4 4	480 416
				3,4 3

Item	Description	Part Number by Amperage	
		Voltage	Part Number
8	Bypass stepdown transformer 24 volt secondary	120/240 208/416 220/440 240/480	321864 321844 321845 321846
		380 575 600	321894 321848 321849
9	ATS normal position coil cutout switch		321889
10	ATS emergency position coil cutout switch		321890
11	ATS emergency position switch		296303, 321877, 321878, 321879
12	ATS normal position switch		296304, 321881, 321882, 321883
13	Crank handle limit switch		321851
14	ATS auto location switch		321821
15	ATS isolate/remove location switch		321851
16	Location switch ATS isolate ATS test		321821
17	Position switch Bypass emergency Bypass normal		321819
18	ATS latched limit switch		321818
19	ATS solenoid disconnect switch Operator 2-position maintain Contact block N.O. (1) Contact block N.O. (2) Contact block mounting plate		321772 321774 321888 321817
20	Bypass interlock solenoid		321884
21	Crank enable solenoid		321885
22	SCR	Amp	Volts
		50	480 & below
		75	480 & below
		50	600
		75	600

* Serviceable items without part numbers are available by recording the serial numbers and model designation below and contacting your supplier of Kohler Co. parts. See Introduction for more instructions.

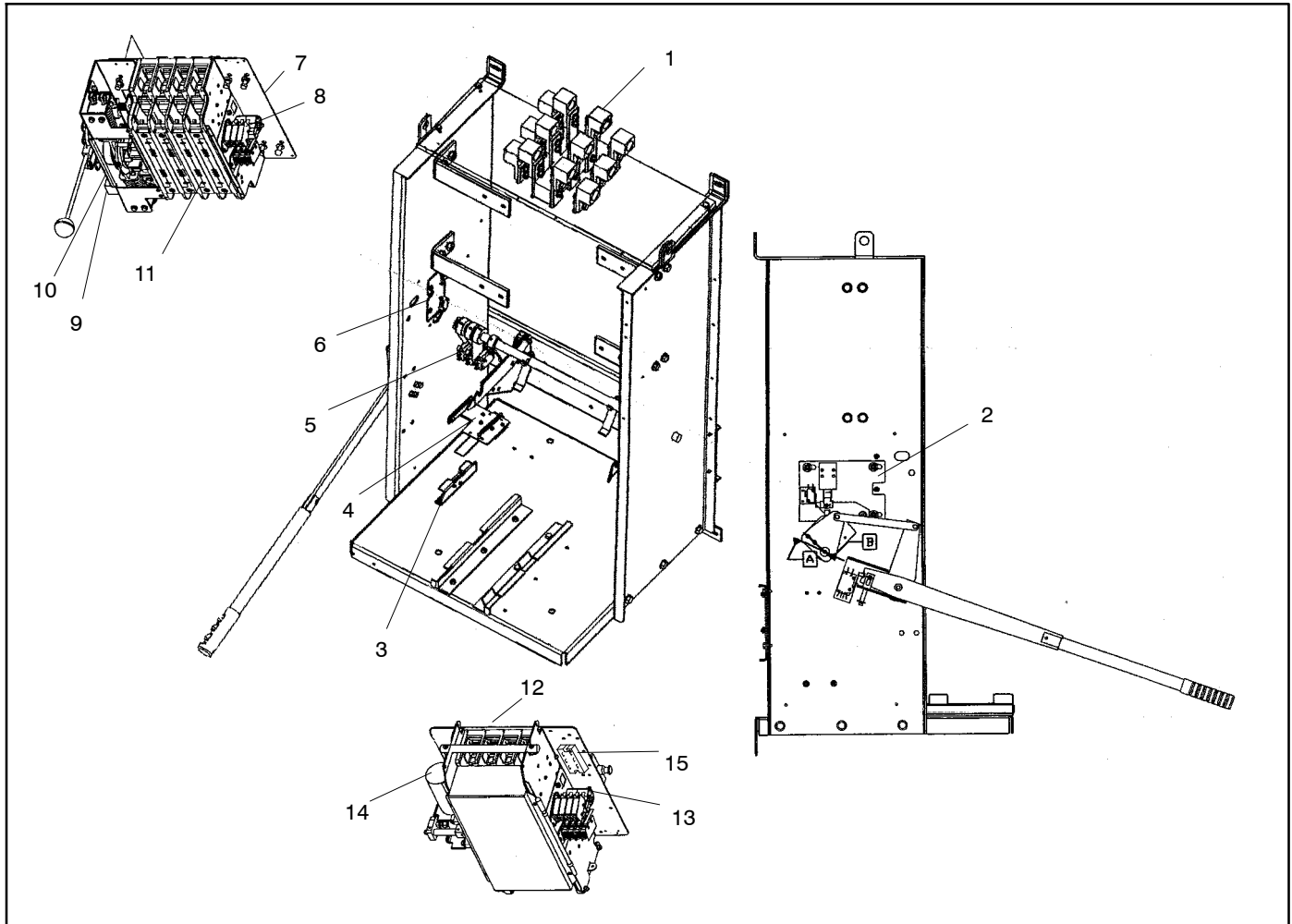
Transfer Switch Serial Number
Contactor Serial Number



Contactor, Model KGS

150-400 Amp

Note: See pages 78 and 80 for detailed view of the contactors.



* Serviceable items without part numbers are available by recording the serial numbers and model designation below and contacting your supplier of Kohler Co. parts. See Introduction for more instructions.

Transfer Switch Serial Number
Contactor Serial Number

Model Designation

Model	Mechanism	Transition	Controls	Voltage	Poles	Enclosure	Current Rating	Connections
<input type="text"/>	<input type="text"/>	<input type="text"/>	<input type="text"/>	<input type="text"/>	<input type="text"/>	<input type="text"/>	<input type="text"/>	<input type="text"/>

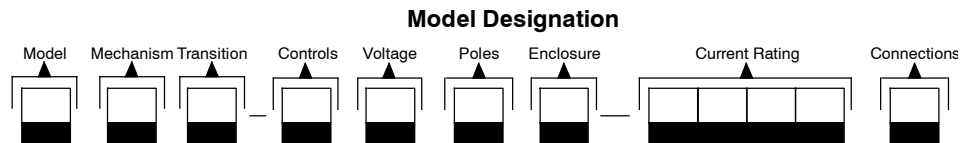
Contactor, Model KGS

150-400 Amp

Item	Description	Part Number		
1	Lugs, cable connection	321743		
2	Interlock assembly	GM39154		
3	Switch, roller arm limit	321818		
4	Switch assembly, position indicator	GM39135		
5	Switch, limit	321821		
6	Switch assembly	GM39153		
7	Panel, top power, 4-pole	GM39138		
7	Panel, top power, 3-pole	GM39137		
7	Panel, top power, 2-pole	GM39136		
8	Switch assembly, limit	GM39156		
9	Solenoid, ATS release	321815		
10	Switch, roller arm limit	321818		
11	Arc chute assembly	GM39145		
12	Panel, bottom power, 4-pole	GM39141		
12	Panel, bottom power, 3-pole	GM39140		
12	Panel, bottom power, 2-pole	GM39139		
13	Switch assembly, limit	GM39155		
14	Solenoid assembly	Volts		
		120	GM39159	
		208/240	GM39160	
		380/415	GM39161	
		480	GM39162	
15	SCR	Amp	Volts	
		50	480 & below	GM49357
		75	480 & below	GM49372
		50	600	GM49373
		75	600	GM49374

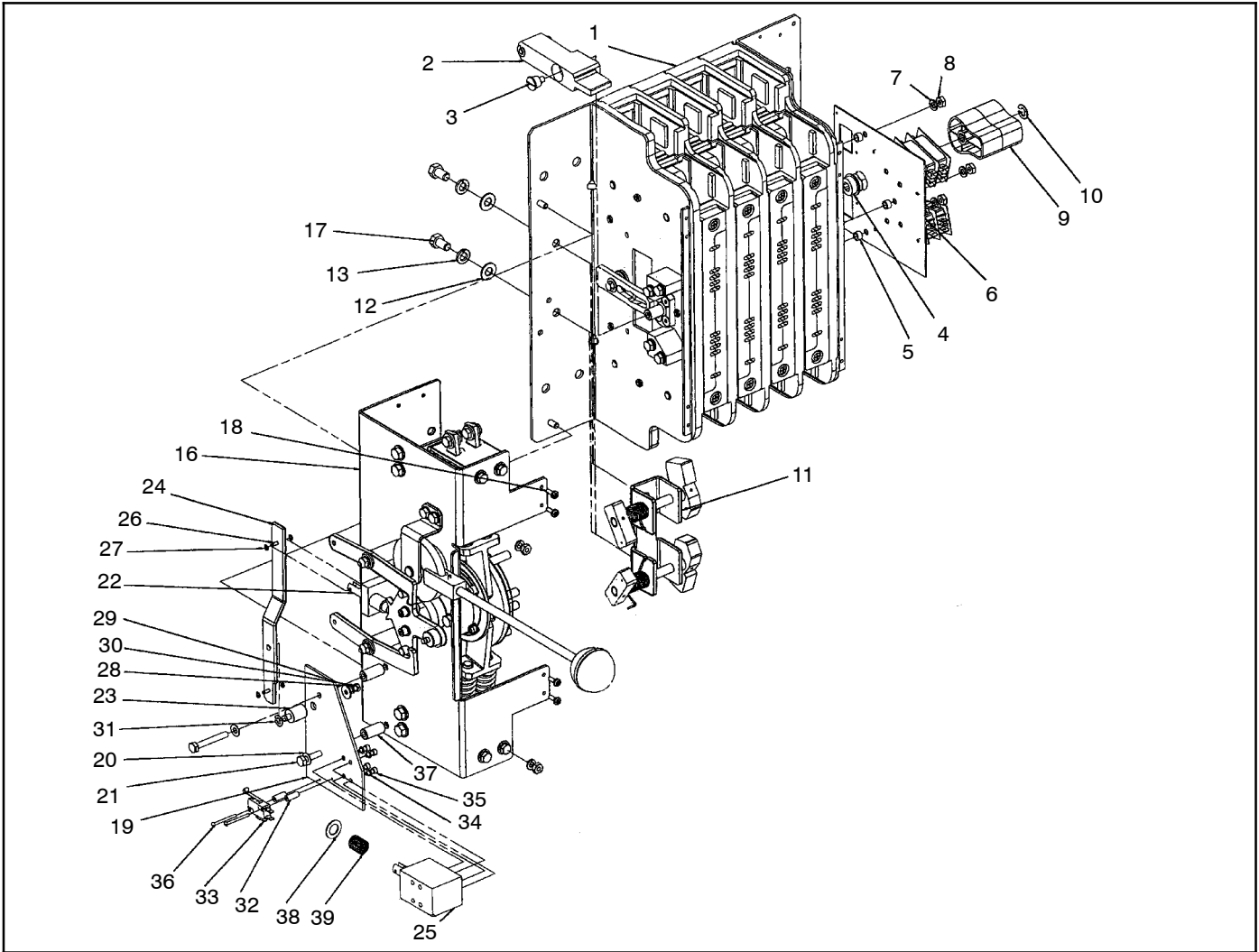
* Serviceable items without part numbers are available by recording the serial numbers and model designation below and contacting your supplier of Kohler Co. parts. See Introduction for more instructions.

Transfer Switch Serial Number
Contactor Serial Number



Contactor, Model KGS

150-400 Amp Top Power Panel Details



* Serviceable items without part numbers are available by recording the serial numbers and model designation below and contacting your supplier of Kohler Co. parts. See Introduction for more instructions.

Transfer Switch Serial Number
Contactor Serial Number

Model Designation

Model	Mechanism	Transition	Controls	Voltage	Poles	Enclosure	Current Rating	Connections
□	□	□	□	□	□	□	□ □ □ □ □	□
■	■	■	■	■	■	■	■ ■ ■ ■ ■	■

Contactor, Model KGS

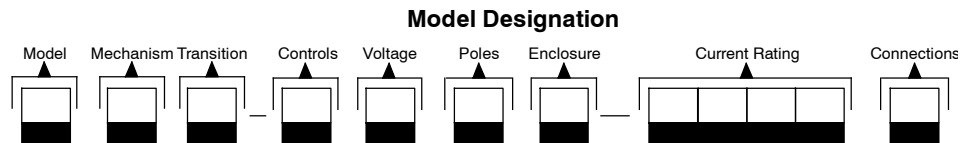
150-400 Amp Top Power Panel Details

Item	Part Number	Description
1	*	Panel assembly, power
2	*	Linkage assembly, drive
3	*	Pin, shoulder (lock)
4	*	Bushing, fork
5	*	Spacer, limit switch
6	See page 77	Switch assembly, limit
7	*	Washer, split lock, 1/4
8	*	Nut, hex jam, 1/4-20
9	*	Cam
10	*	E-ring
11	*	Mid stop assembly
12	*	Washer, flat, 3/8
13	*	Washer, split lock, 3/8
16	*	QMQB assembly
17	*	Hex head countersunk, 3/8-16 x .63
18	*	Screw, bind head ext sems, 8-32 x .50
19	*	Bracket, solenoid
20	*	Washer, flat, 1/4
21	*	Hex head countersunk, 1/4-20 x 1.75
22	*	Lock, pin
23	*	Stud, solenoid
24	*	Lever, solenoid
25	See page 77	Solenoid, ATS release
26	*	Shaft, solenoid
27	*	E-ring
28	*	Washer, #10 flat
29	*	Washer, #10 split lock
30	*	Screw, hex head machine, 10-32 x .50
31	*	E-ring
32	*	—
33	See page 77	Switch, roller arm limit
34	*	#8 int. tooth l/w
35	*	Socket head countersunk, 8-32 x .38
36	*	M/s, round head, 4-40 x 1.25
37	*	Spacer
38	*	Washer
39	*	Spring, sol. plunger
40	*	QMBQ kit (includes items 3, 11, 16, and 24)

* Serviceable items without part numbers are available by recording the serial numbers and model designation and contacting your supplier of Kohler Co. parts.

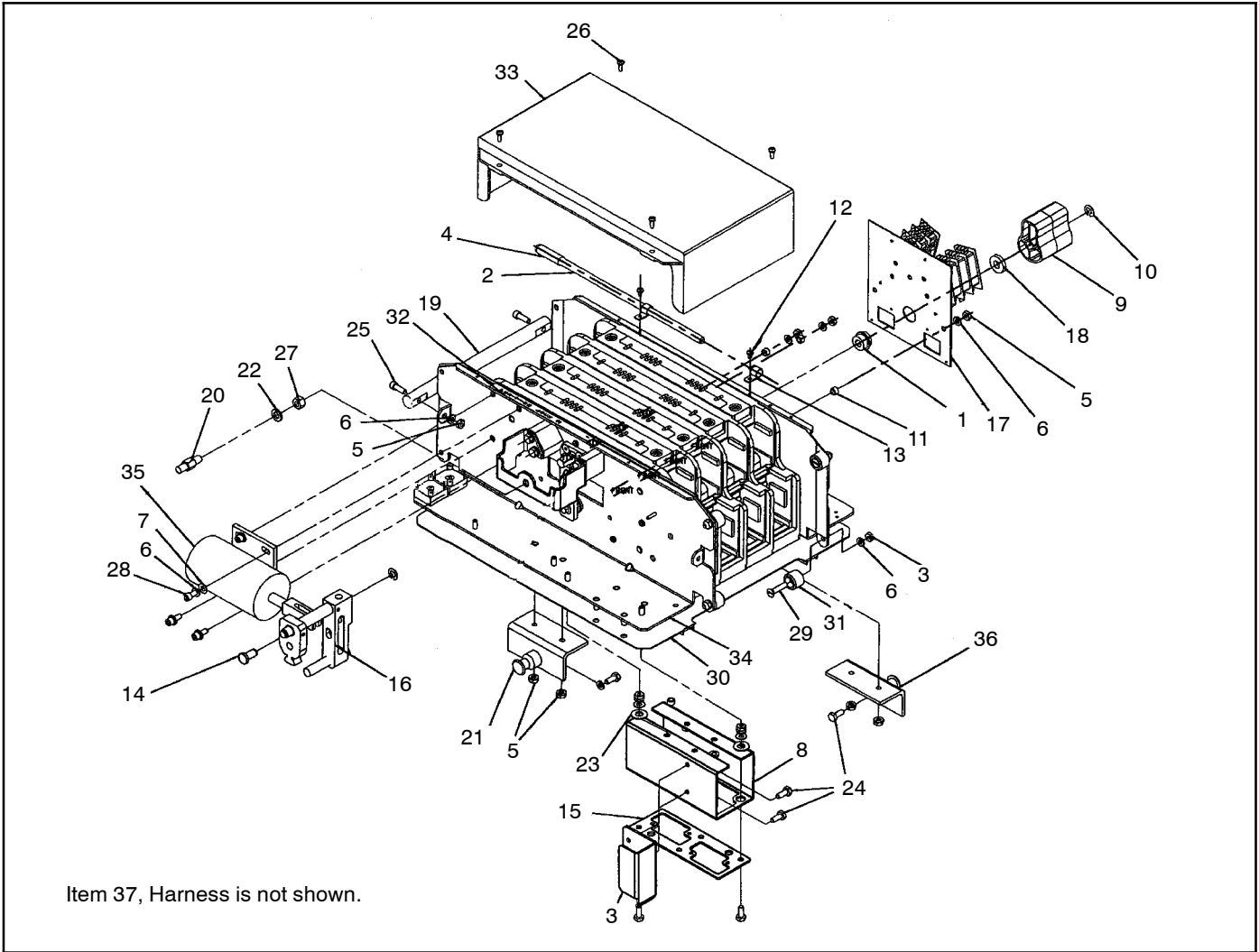
* Serviceable items without part numbers are available by recording the serial numbers and model designation below and contacting your supplier of Kohler Co. parts. See Introduction for more instructions.

Transfer Switch Serial Number
Contactor Serial Number



Contactor, Model KGS

150-400 Amp Bottom Power Panel Details



* Serviceable items without part numbers are available by recording the serial numbers and model designation below and contacting your supplier of Kohler Co. parts. See Introduction for more instructions.

Transfer Switch Serial Number
Contactor Serial Number

Model Designation

Model	Mechanism	Transition	Controls	Voltage	Poles	Enclosure	Current Rating	Connections
□	□	□	□	□	□	□	□ □ □ □	□
■	■	■	■	■	■	■	■ ■ ■ ■	■

Contactor, Model KGS

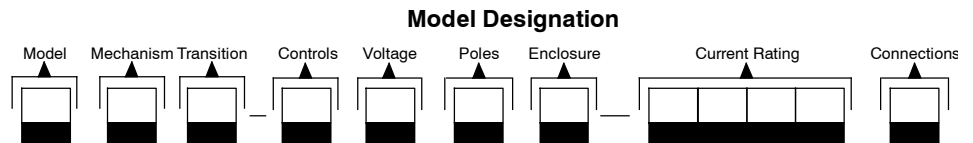
150-400 Amp Bottom Power Panel Details

Item	Part Number	Description
1	*	Bushing, fork
2	*	Handle, manual
3	*	Actuator, limit switch
4	*	Grip, handle
5	*	Nut, hex jam, 1/4-20
6	*	Washer, split lock washer, 1/4
7	*	Washer, flat, 1/4
8	*	Bracket, lug
9	*	Cam
10	*	E-ring
11	*	Spacer, limit switch
12	*	Screw, rwd head ext sems, 8-32 x .31
13	*	Clamp
14	*	Pin, solenoid
15	*	Bracket, plug, 25-pin
16	*	Linkage, drive
17	See page 77	Switch assembly, limit
18	*	Spacer
19	*	Handle
20	*	Stud, connecting
21	*	Stud
22	*	Washer, split lock washer, 3/8
23	*	Washer, flat, 3/8
24	*	Hex head countersunk, 1/4-20 x .63
25	*	Socket head countersunk, 1/4-20 x .75
26	*	Screw, bind head ext sems, 8-32 x .50
27	*	Nut, hex, 3/8-16 grade 8
28	*	Socket head countersunk, 1/4-20 x .63
29	*	M/s, flat countersunk head, 1/4-20 x 1.13
30	*	Barrier
31	*	Skid
32	*	Label, position lock
33	*	Cover
34	*	Panel assembly, power
35	See page 77	Solenoid assembly
36	*	Bracket, stud
37	*	Harness (not shown)

* Serviceable items without part numbers are available by recording the serial numbers and model designation below and contacting your supplier of Kohler Co. parts.

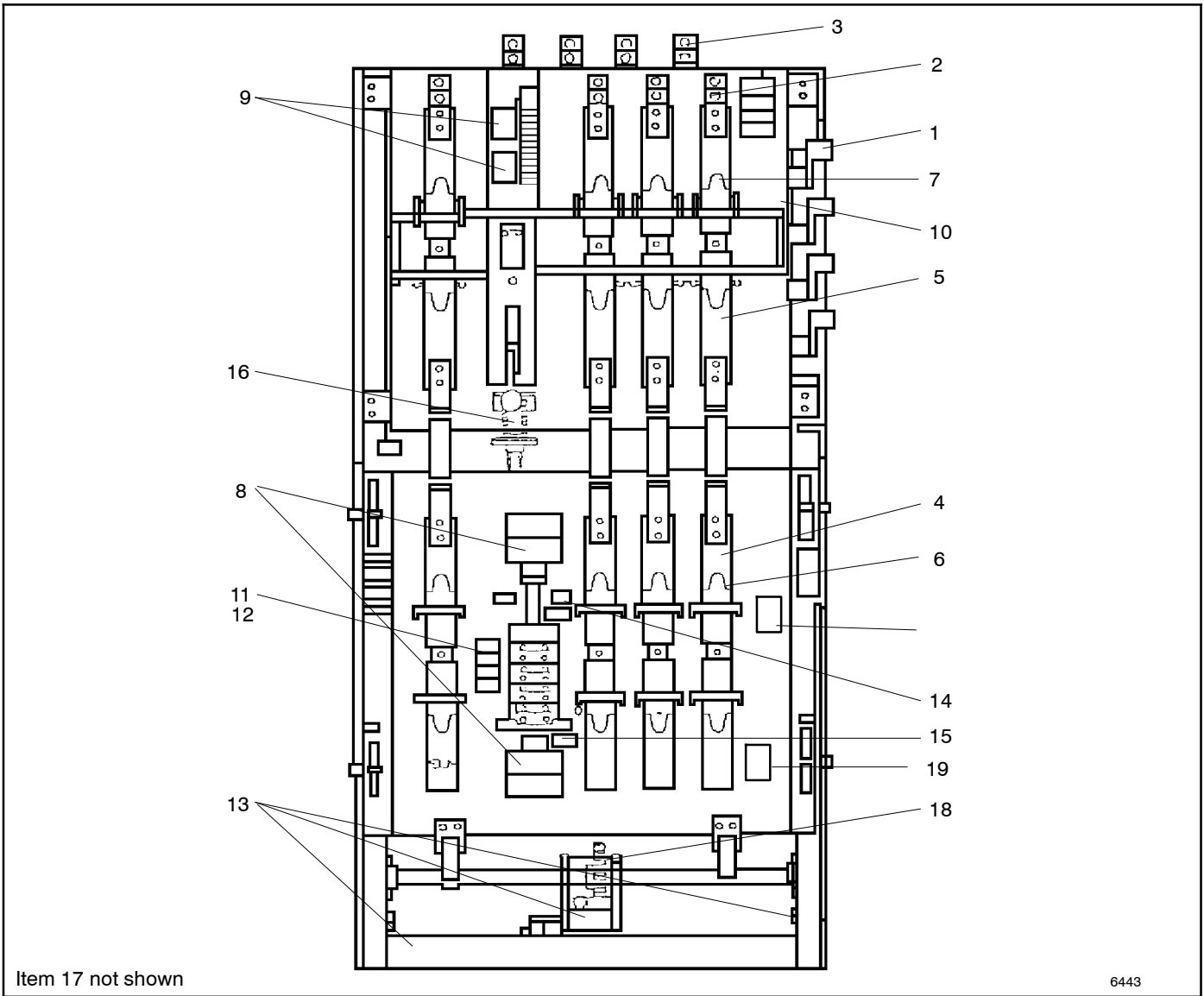
* Serviceable items without part numbers are available by recording the serial numbers and model designation below and contacting your supplier of Kohler Co. parts. See Introduction for more instructions.

Transfer Switch Serial Number
Contactor Serial Number



Contactor, Model KGS

600-1200 Amp



* Serviceable items without part numbers are available by recording the serial numbers and model designation below and contacting your supplier of Kohler Co. parts. See Introduction for more instructions.

Transfer Switch Serial Number
Contactor Serial Number

Model Designation

Model	Mechanism	Transition	Controls	Voltage	Poles	Enclosure	Current Rating	Connections
▲	▲	▲	▲	▲	▲	▲	▲	▲
□	□	□	□	□	□	□	□	□
■	■	■	■	■	■	■	■	■

Contactor, Model KGS 600-1200 Amp

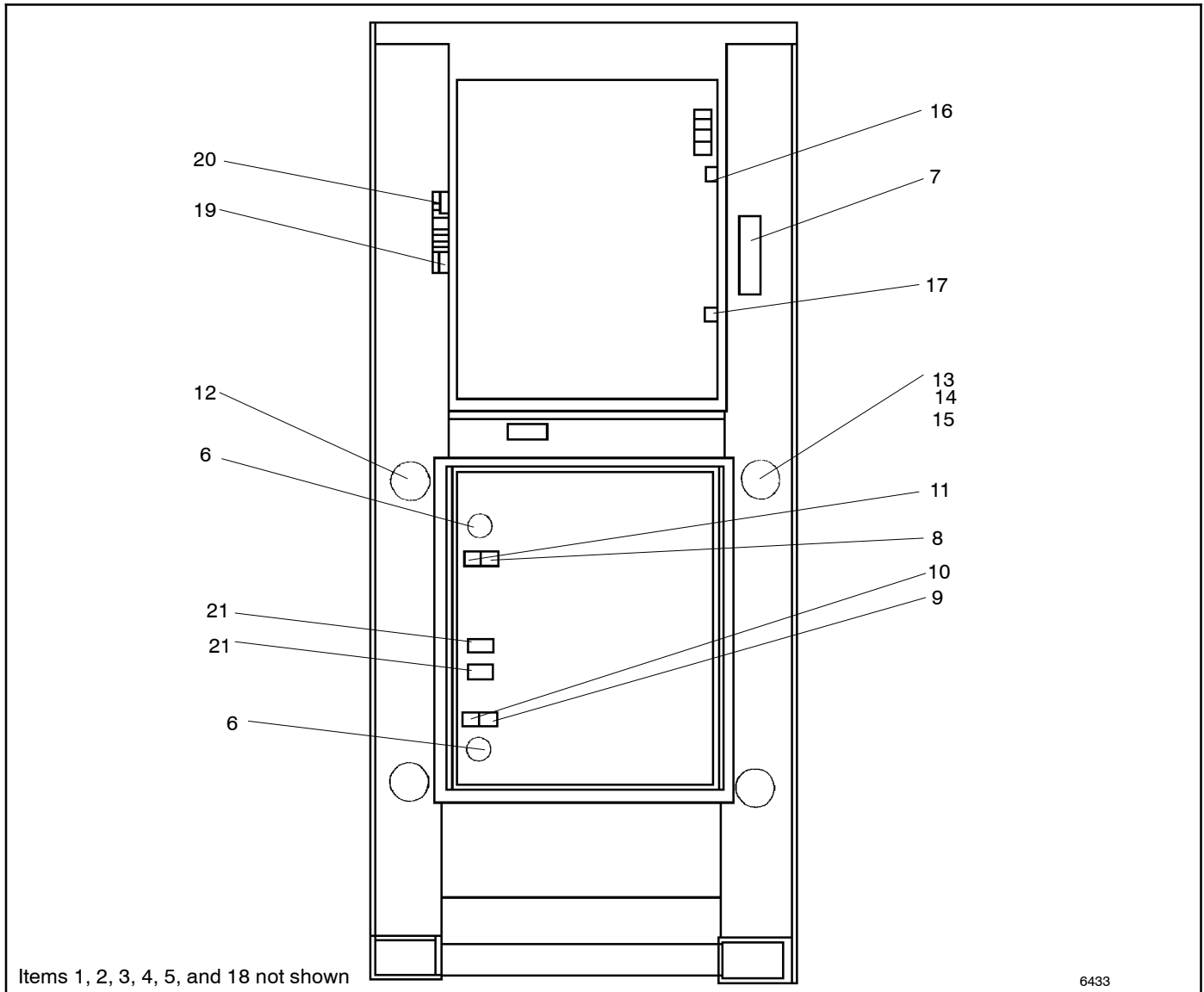
Item	Description	Part Number by Amperage			
		600	800	1000	1200
1	Lugs, normal	321843	321853	321854	321854
2	Lugs, emergency	321744	321745	321746	321746
3	Lugs, load	321744	321745	321746	321746
4	Contact assembly bypass, stationary*	321847	346583	346583	346583
5	Contact assembly, stationary, ATS*	321847	321895	321895	321895
6	Arc chute assembly kit*	321753	321753	321753	321753
7	Contact assembly, moveable*	321876	321880	321880	321880
7	Contact, moveable (switched neutral)*	321876	321816	321816	321816

* All kits include the parts for one contact; therefore, each pole requires two kits.

Item	Description	Part Number by Amperage							
		600	800	1000	1200				
8	ATS Main operating coils								
	Voltage System								
	Part Numbers By Amperage								
	Volts	Ph	Wire	Coil Volts	Pole	600	800	1000	1200
	120	1	2	120	2	321859	321860	321860	321860
	120/240	1	2	240	2	321861	321862	321862	321862
	120/240	1	2	240	3	321865	321862	321862	321862
	120/240	3	4	240	3	321865	321862	321862	321862
	120/208	3	4	208	3,4	321866	296296	296296	296296
	480	3	3	480	3	321867	296297	296297	296297
575	3	3	575/600	3	321868	Consult factory	Consult factory	Consult factory	
277/480	3	4	480	3	321867	296297	296297	296297	
277/480	3	4	480	4	321864	296297	296297	296297	
240/416	3	4	416	3	321867	296297	296297	296297	

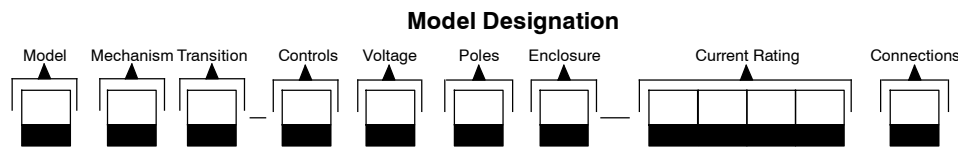
Item	Description	Voltage		Part Number	
		600	800	1000	1200
9	Bypass stepdown transformer 25VA, 24 volt secondary	120/240			321864
		208/416			321844
		220/440			321845
		240/480			321846
		380			321894
		575			321848
		600			321849
10	Switch Bypass emergency position Bypass normal position BSS emergency position BSS normal position Limit switch DPDT, lever actuator	321819			
11	ATS auto location switch ATS test Location switch Crank limit switches ATS isolate location switch Limit switch DPDT, roller actuator	321851			
		321852			
		321818			
		321851			
		321852			
12	ATS emergency position switch	(SPDT) 296298		(DPDT) 321758	
13	ATS normal position switch (auxiliary contact)	296299		321855	
14	ATS normal position coil cutout switch DPDT		321758		
15	ATS emergency position coil cutout switch DPDT		321856		
16	ATS solenoid disconnect switch Operator 2-position maintain Contact block N.O. Contact block N.O.	321858			
17	Solenoid Emergency interlock Normal interlock	321858			
18	Crank mechanism solenoid	321858			
19	SCR	Amp	Volts		
		50	480 & below	GM49357	
		75	480 & below	GM49372	
		50	600	GM49373	
		75	600	GM49374	

Contactor, Model KGS 1600-3000 Amp



* Serviceable items without part numbers are available by recording the serial numbers and model designation below and contacting your supplier of Kohler Co. parts. See Introduction for more instructions.

Transfer Switch Serial Number
Contactor Serial Number



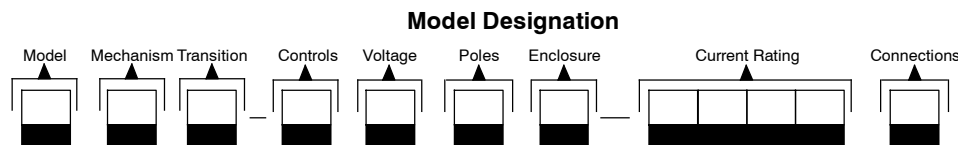
Contactor, Model KGS

1600-3000 Amp

Item	Description	Part Number by Amperage							
		1600	2000	3000					
1	Cable connection at rear	321746 (2)	321746	321746					
2	Contact assembly, stationary (bypass)*	321870	321870	321871					
3	Contact assembly, stationary (ATS)*	321870	321870	321871					
4	Arc chute assembly*	321872	321872	321872					
5	Contact assembly, moveable*	321757	321757	321873					
* All kits include the parts for one contact, therefore, each pole requires two kits.									
6	ATS Main operating coils								
		Volts	Phase	Wire	Coil Volts	Pole	1600	2000	3000
		120/240	1	3	240	3	321891	321891	321891
		240	3	3	240	3	321891	321891	321891
		240	3	4	240	4	321893	321893	321893
		120/280	3	4	208	3	321892	321892	321892
		120/208	3	4	208	4	321895	321895	321895
		480	3	3	480	3	296301	296301	296301
		277/480	3	4	480	3	296301	296301	296301
		277/480	3	4	480	4	296302	296302	296302
		240/416	3	4	416	3	321896	321896	321896
							Voltage	Part Number	
7	Bypass stepdown transformer 24 volt secondary						120/240	321864	
							208/416	321844	
							220/440	321845	
							240/480	321846	
							380	321894	
							575	321848	
							600	321849	
8	ATS normal position coil cutout switch							321874	
9	ATS emergency position coil cutout switch							321875	
10	ATS emergency position switch							296303, 321877, 321878, 321879	
11	ATS normal position switch							296304, 321881, 321882, 321883	
12	Crank handle limit switch							321851	
13	ATS auto location switch							321821	
14	ATS isolate/remove location switch							321851	
15	Location switch							321821	
	ATS isolate								
	ATS test								
16	Position switch							321819	
	Bypass emergency								
	Bypass normal								
17	ATS latched limit switch							321818	
18	ATS solenoid disconnect switch								
	Operator 2-position maintain							321772	
	Contact block N.O. (1)							321774	
	Contact block N.O. (2)							321888	
	Contact block mounting plate							321817	
19	Bypass interlock solenoid							321884	
20	Crank enable solenoid							321885	
21	SCR	Amp	Volts						
		50	480 & below					GM49357	
		75	480 & below					GM49372	
		50	600					GM49373	
		75	600					GM49374	

* Serviceable items without part numbers are available by recording the serial numbers and model designation below and contacting your supplier of Kohler Co. parts. See Introduction for more instructions.

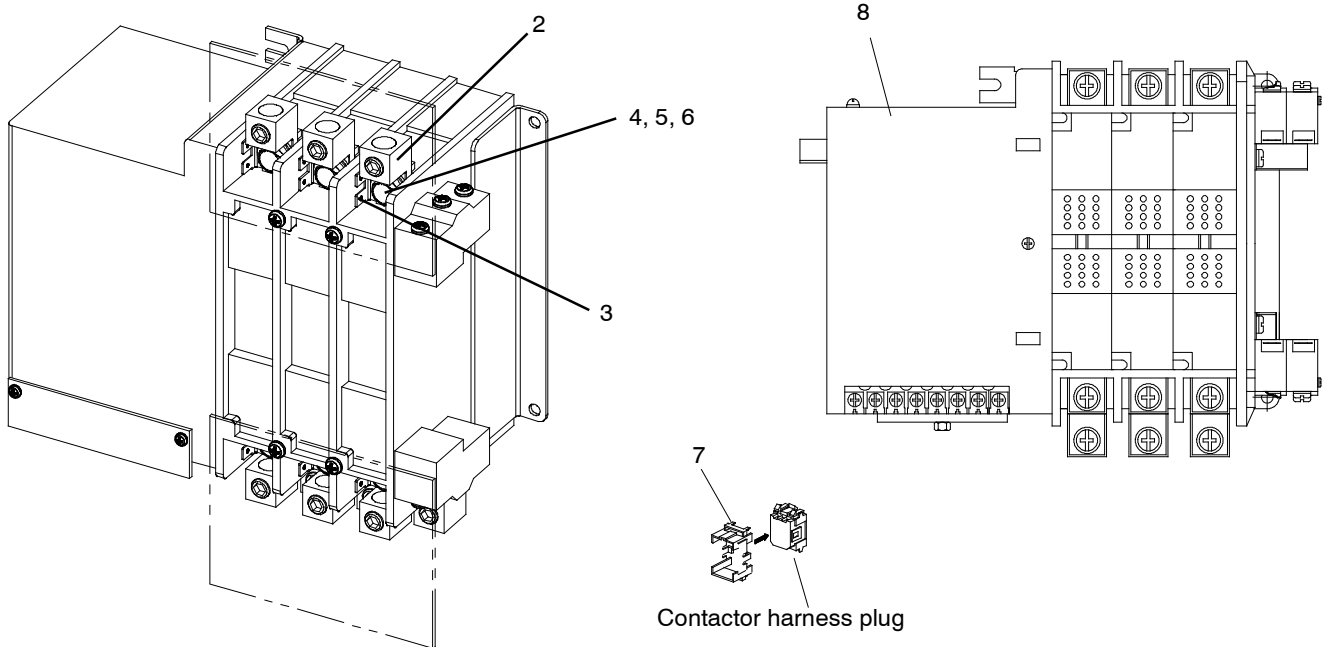
Transfer Switch Serial Number
Contactor Serial Number



Contactor, Model KSP

100-400 Amp

Item 1 Contactor harness is not shown.



6158_20

Model KSP Contactors

Module Number Key

Model Designation Code

Model	Mechanism	Transition	Controls	Voltage	Poles	Enclosure	Current Rating	Module Number
K	S	P	D, F	C, D, F	N	all	100	GM30222-KA1
K	S	P	D, F	C, D, F	T	all	100	GM30222-KA2
K	S	P	D, F	C, D, F	V	all	100	GM30222-KA3
K	S	P	D, F	C, D, F	N	all	200	GM30222-KA4
K	S	P	D, F	C, D, F	T	all	200	GM30222-KA5
K	S	P	D, F	C, D, F	V	all	200	GM30222-KA6
K	S	P	D, F	G, J, K, M	N	all	100	GM30222-KA7
K	S	P	D, F	G, J, K, M	T	all	100	GM30222-KA8
K	S	P	D, F	G, J, K, M	V	all	100	GM30222-KA9
K	S	P	D, F	G, J, K, M	N	all	200	GM30222-KA10
K	S	P	D, F	G, J, K, M	T	all	200	GM30222-KA11
K	S	P	D, F	G, J, K, M	V	all	200	GM30222-KA12
K	S	P	D, F	C, D, F	N	all	400	GM30223-KA1
K	S	P	D, F	C, D, F	T	all	400	GM30223-KA2
K	S	P	D, F	C, D, F	V	all	400	GM30223-KA3
K	S	P	D, F	G, J, K, M	N	all	400	GM30223-KA4
K	S	P	D, F	G, J, K, M	T	all	400	GM30223-KA5
K	S	P	D, F	G, J, K, M	V	all	400	GM30223-KA6

Please refer to instructions on page 5 for an explanation of how to use this table.

Contactor, Model KSP

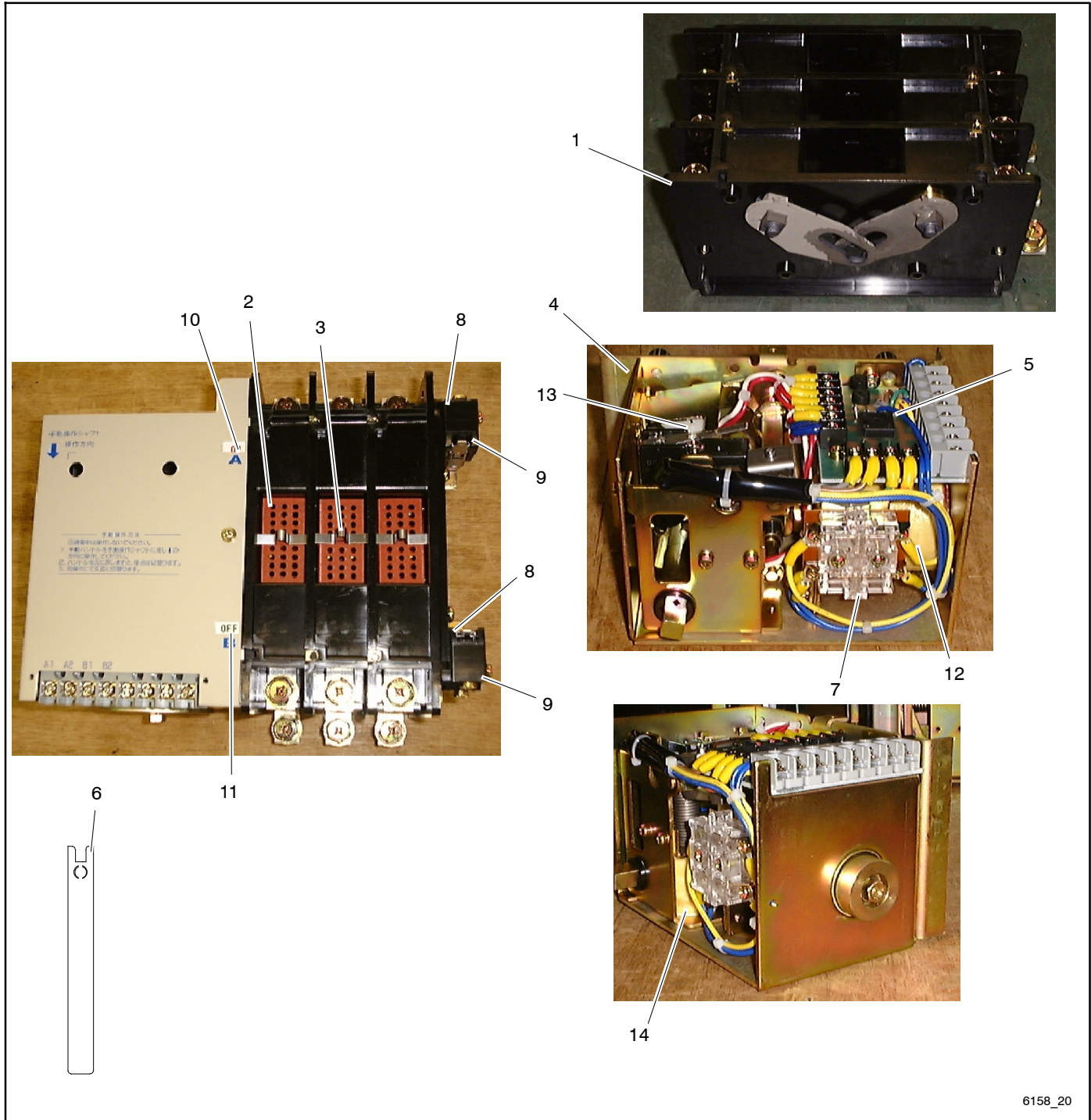
100-400 Amp

100-200-Amp Modules														
Item	Part Number	Description	Quantity											
			Module											
			GM30222-KA1	GM30222-KA2	GM30222-KA3	GM30222-KA4	GM30222-KA5	GM30222-KA6	GM30222-KA7	GM30222-KA8	GM30222-KA9	GM30222-KA10	GM30222-KA11	GM30222-KA12
1	GM29448	Harness, contactor	1	1	1									
1	GM29449	Harness, contactor				1	1	1						
1	GM32466	Harness, contactor							1	1	1			
1	GM32465	Harness, contactor										1	1	1
2	X-6207-6	Lug, terminal, aluminum	6	9	12				6	9	12			
2	GM28413	Lug, terminal				6	9	12				6	9	12
3	GM31854	Terminal, ATS lug sensing	6	9	12				6	9	12			
3	GM31855	Terminal, ATS lug sensing				6	9	12				6	9	12
4	X-25-20	Washer, plain, .312 ID x .75 OD	6	9	12				6	9	12			
4	X-25-18	Washer, plain, .391 ID x .875 in. OD				12	18	24				12	18	24
5	X-6086-24	Washer, spring	6	9	12				6	9	12			
5	X-6086-25	Washer, spring				6	9	12				6	9	12
6	X-465-2	Bolt, hex cap	6	9	12				6	9	12			
6	X-125-5	Bolt, hex cap				6	9	12				6	9	12
6	X-82-6	Bolt, hex cap				6	9	12				6	9	12
7	321330	Boot, connector	2	2	2	2	2	2	2	2	2	2	2	2
8	GM29048	Contactor, PT, series, 100 A. 2 P	1						1					
8	GM29050	Contactor, PT, series, 100 A. 3 P		1						1				
8	GM29052	Contactor, PT, series, 100 A. 4 P			1						1			
8	GM29049	Contactor, PT, series, 200 A. 2 P				1						1		
8	GM29051	Contactor, PT, series, 200 A. 3 P					1						1	
8	GM29053	Contactor, PT, series, 200 A. 4 P						1						1

400-Amp Modules													
Item	Part Number	Description	Quantity										
			Module										
			GM30223-KA1	GM30223-KA2	GM30223-KA3	GM30223-KA4	GM30223-KA5	GM30223-KA6					
1	GM29450	Harness, contactor	1	1	1								
1	GM32467	Harness, contactor				1	1	1					
2	X-6207-9	Lug, terminal, aluminum	6	9	12	6	9	12					
3	GM31855	Terminal, ATS lug sensing	6	9	12	6	9	12					
4	X-25-118	Washer, plain, 0.406 ID x 1 in. OD	12	18	24	12	18	24					
5	X-6086-24	Washer, spring, 0.39 ID x 0.81 in. OD	6	9	12	6	9	12					
6	X-6238-4	Bolt, hex cap	6	9	12	6	9	12					
6	X-83-7	Nut, hex, 3/8-16, zinc	6	9	12	6	9	12					
7	321330	Boot, connector	2	2	2	2	2	2					
8	GM29054	Contactor, PT, series, 400 A. 2 P	1			1							
8	GM29055	Contactor, PT, series, 400 A. 3 P		1								1	
8	GM29056	Contactor, PT, series, 400 A. 4 P			1								1

Contactor, Model KSP

100-400 Amp Contactor Components



6158_20

* Serviceable items without part numbers are available by recording the serial numbers and model designation below and contacting your supplier of Kohler Co. parts. See Introduction for more instructions.

Transfer Switch Serial Number
Contactor Serial Number

Model Designation

Model	Mechanism	Transition	Controls	Voltage	Poles	Enclosure	Current Rating	Connections
□	□	□	□	□	□	□	□ □ □ □	□
■	■	■	■	■	■	■	■ ■ ■ ■	■

Contactor, Model KSP

100-400 Amp Contactor Components

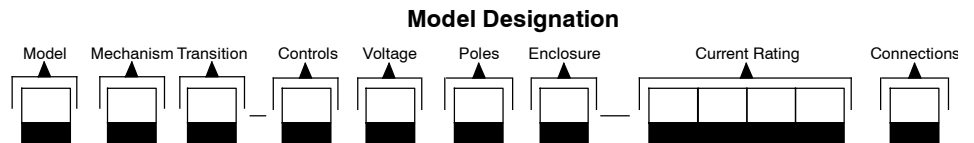
Item	Part Number	Description
1	*	Unit, current-carrying (without arc chutes)
2	GM32477	Chute, arc, 100 A
2	GM32478	Chute, arc, 200 A
2	GM32479	Chute, arc, 400 A
3	GM32480	Clip, spring, 100 A
3	GM32481	Clip, spring, 200 A
3	GM32482	Clip, spring, 400 A
4	*	Unit, mechanical
5	*	Board, circuit (bridge rectifier)
6	GM32475	Handle, manual
7	GM32483	Switch, control
8	GM32484	Barrier, auxiliary contact
9	GM32485	Switch, auxiliary
10	GM32486	Indicator, ON-OFF (A)
11	GM32487	Indicator, ON-OFF (B)
12	See chart	Coil, closing
13	GM32496	Coil, select
14	GM32498	Coil, trip, 100/200 A
14	GM32499	Coil, trip, 400 A

Item 12, Closing Coil

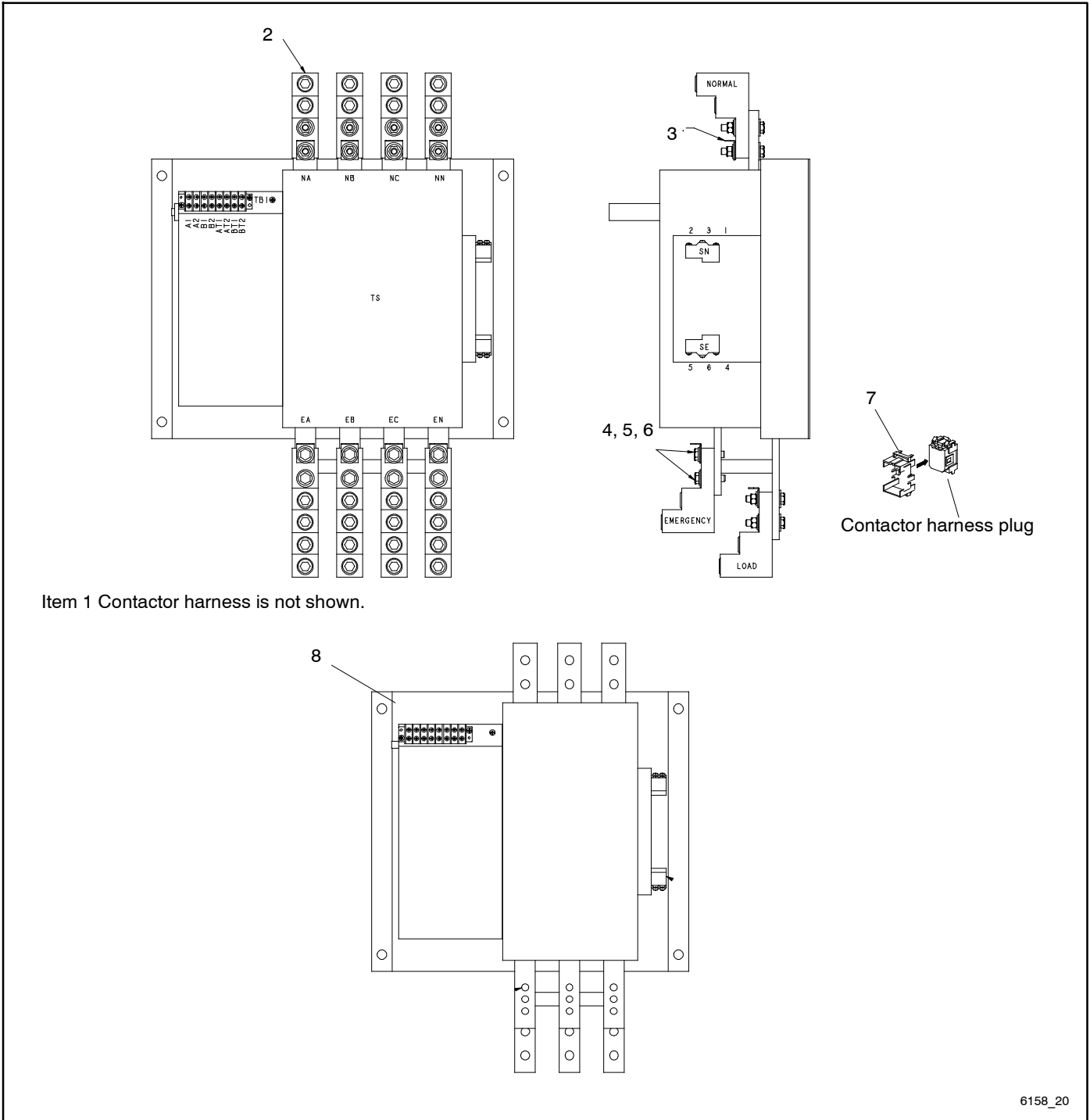
Poles/Wires Code	Poles/Wires	Amps	Part Number
N, T	2, 3	100	GM32488
V	4	100	GM32489
N, T	2, 3	200	GM32489
V	4	200	GM32490
N, T	2, 3	400	GM32491
V	4	400	GM32492

* Serviceable items without part numbers are available by recording the serial numbers and model designation below and contacting your supplier of Kohler Co. parts. See Introduction for more instructions.

Transfer Switch Serial Number
Contactor Serial Number

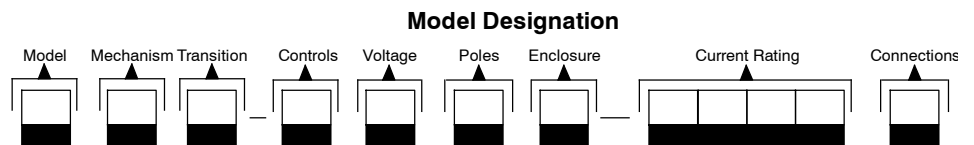


Contactor, Model KSP 600 Amp



* Serviceable items without part numbers are available by recording the serial numbers and model designation below and contacting your supplier of Kohler Co. parts. See Introduction for more instructions.

Transfer Switch Serial Number
Contactor Serial Number



Contactor, Model KSP

600 Amp

Item	Part Number	Description	Quantity					
			Module					
			GM30224-KA1	GM30224-KA2	GM30224-KA3	GM30224-KA4	GM30224-KA5	GM30224-KA6
1	GM29451	Harness, contactor	1	1	1			
1	GM32464	Harness, contactor				1	1	1
2	297981	Lug, terminal, aluminum	6	9	12	6	9	12
3	GM31855	Terminal, ATS lug sensing	6	9	12	6	9	12
4	X-25-118	Washer, plain, 0.406 ID x 1 in. OD	20	30	40	20	30	40
5	X-6086-6	Washer, spring	12	18	24	12	18	24
6	X-6238-17	Bolt, hex cap (normal lugs)	4	6	8	4	6	8
6	X-6238-5	Bolt, hex cap (emergency lugs)	4	6	8	4	6	8
6	X-6238-6	Bolt, hex cap (load lugs)	4	6	8	4	6	8
6	X-83-7	Nut, hex, 3/8-16, zinc (normal and load lugs)	8	12	16	8	12	16
7	321330	Boot, connector	2	2	2	2	2	2
8	GM29057	Contactor, PT, series, 600 A. 2 P	1			1		
8	GM29058	Contactor, PT, series, 600 A. 3 P		1			1	
8	GM29060	Contactor, PT, series, 600 A. 4 P			1			1

Model KSP 600 Amp Contactors

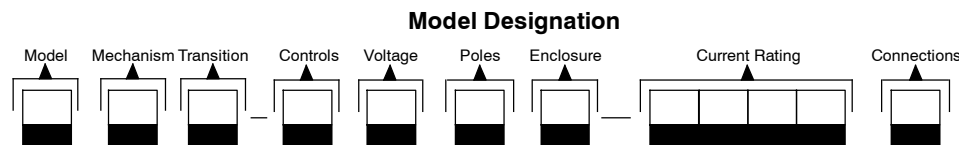
Module Number Key

Model Designation Code								Module Number
Model	Mechanism	Transition	Controls	Voltage	Poles	Enclosure	Current Rating	
K	S	P	D, F	C, D, F	N	all	600	GM30224-KA1
K	S	P	D, F	C, D, F	T	all	600	GM30224-KA2
K	S	P	D, F	C, D, F	V	all	600	GM30224-KA3
K	S	P	D, F	G, J, K, M	N	all	600	GM30224-KA4
K	S	P	D, F	G, J, K, M	T	all	600	GM30224-KA5
K	S	P	D, F	G, J, K, M	V	all	600	GM30224-KA6

Please refer to instructions on page 5 for an explanation of how to use this table.

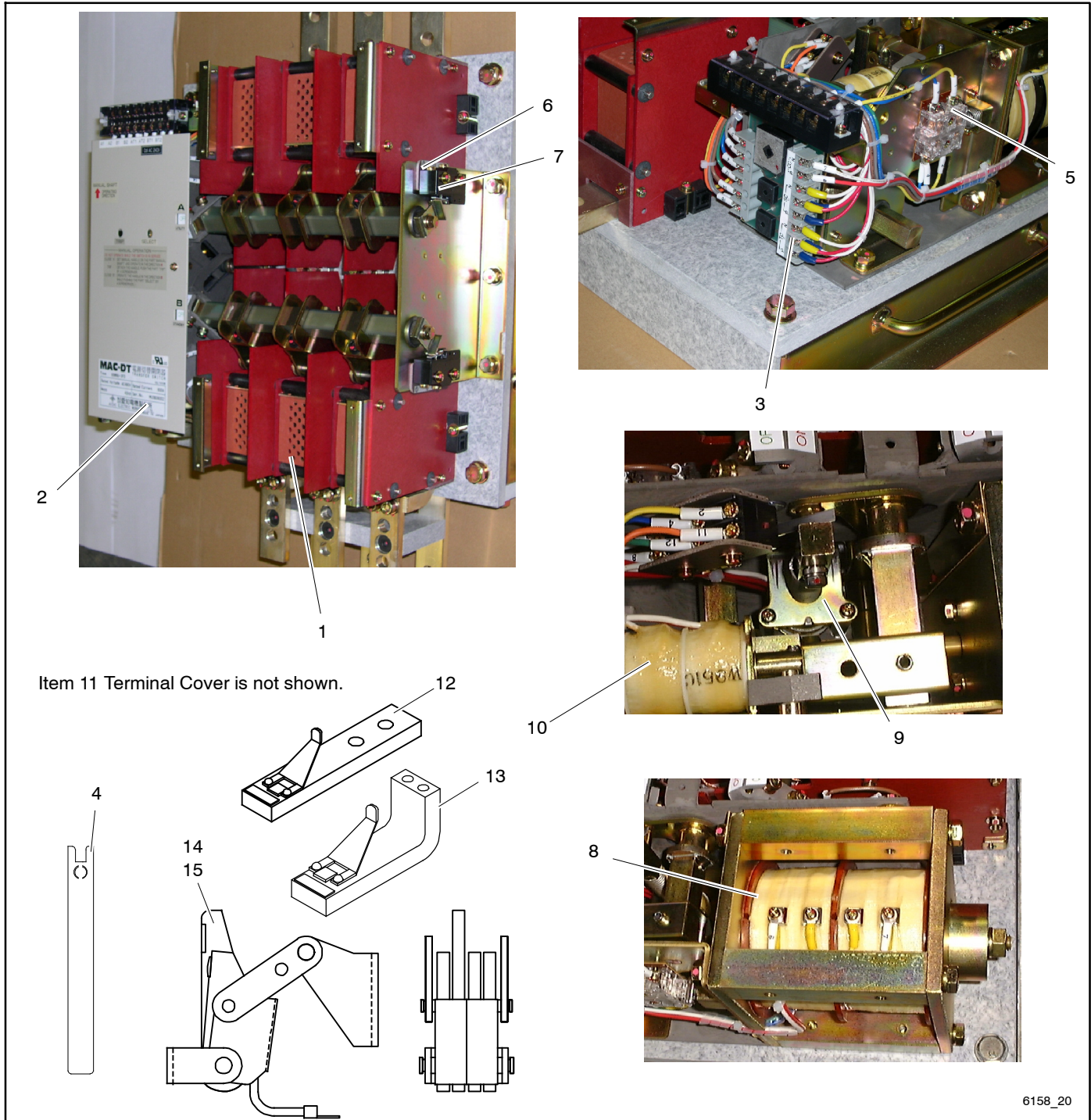
* Serviceable items without part numbers are available by recording the serial numbers and model designation below and contacting your supplier of Kohler Co. parts. See Introduction for more instructions.

Transfer Switch Serial Number
Contactor Serial Number



Contactor, Model KSP

600 Amp Contactor Components



6158_20

* Serviceable items without part numbers are available by recording the serial numbers and model designation below and contacting your supplier of Kohler Co. parts. See Introduction for more instructions.

Transfer Switch Serial Number
Contactor Serial Number

Model Designation

Model	Mechanism	Transition	Controls	Voltage	Poles	Enclosure	Current Rating	Connections
<input type="text"/>	<input type="text"/>	<input type="text"/>	<input type="text"/>	<input type="text"/>	<input type="text"/>	<input type="text"/>	<input type="text"/>	<input type="text"/>

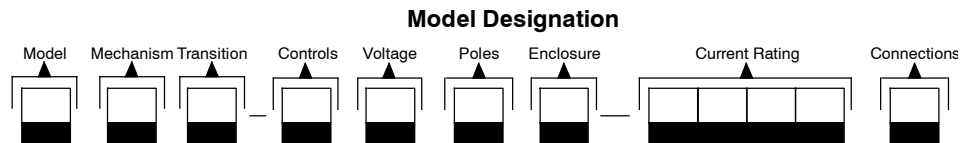
Contactor, Model KSP

600 Amp Contactor Components

Item	Part Number	Description
1	GM32471	Chute, arc, 600 A
2	*	Unit, mechanical
3	*	Board, circuit (bridge rectifier)
4	GM32476	Handle, manual
5	GM32483	Switch, control
6	GM32484	Barrier, auxiliary contact
7	GM32485	Switch, auxiliary
8	GM32494	Coil, closing, 2-pole, 3-pole
8	GM32495	Coil, closing, 4-pole
9	GM32497	Coil, select
10	GM32500	Coil, trip
11	GM32472	Cover, terminal, 2-pole
11	GM32473	Cover, terminal, 3-pole
11	GM32474	Cover, terminal, 4-pole
12	*	Contact, fixed A-side
13	*	Contact, fixed B-side
14	*	Contact, moving A-side
15	*	Contact, moving B-side

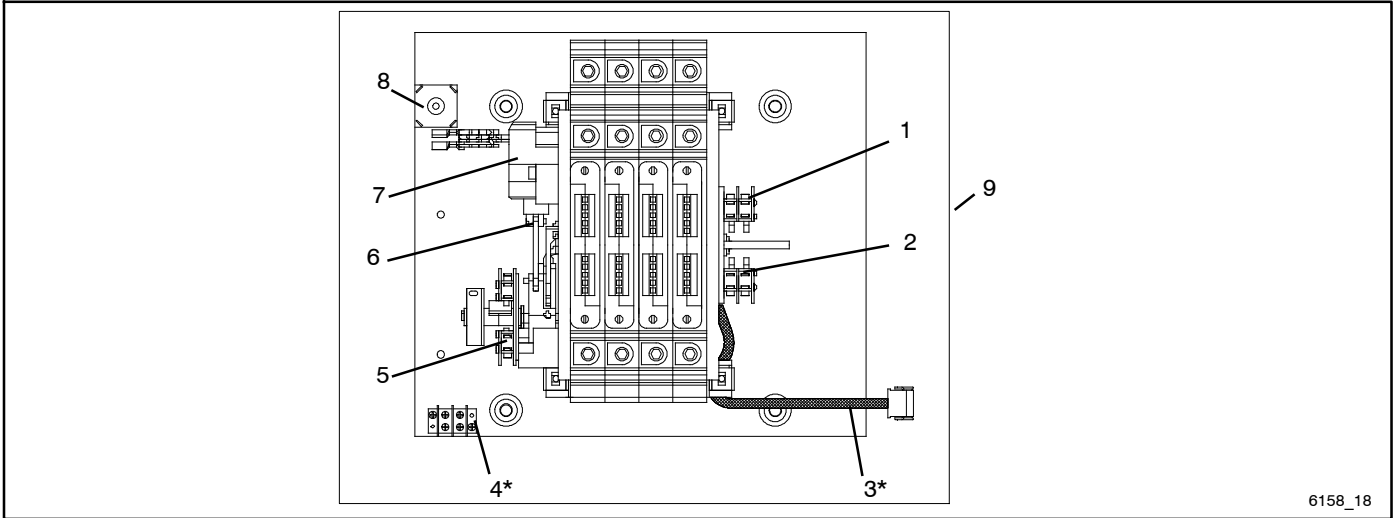
* Serviceable items without part numbers are available by recording the serial numbers and model designation below and contacting your supplier of Kohler Co. parts. See Introduction for more instructions.

Transfer Switch Serial Number
Contactor Serial Number



Contactor, Model KSS

40-260 Amp



6158_18

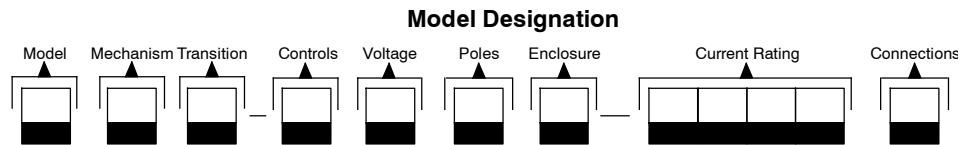
Item	Part Number	Description
1	362081	Contacts, auxiliary
2	362081	Contacts, auxiliary
3	*	Harness, wiring
4	*	Terminal block, engine start
5	362081	Switch, coil cutout
5	362092	Switch, coil cutout (600V)
6	GM32387	Plunger and link, solenoid
7	See chart	Solenoid
8	GM49372	Rectifier GM55099
9	See chart	Contacting assembly

Item 7, Solenoid

Voltage Code(s)	Voltage	Part Number
		Item 7, Solenoid
C, D	208/220	362087
F	240	362135
G, H, J	380/400/416	362089
K, M	440/480	362090
N	600	362091

* Serviceable items without part numbers are available by recording the serial numbers and model designation below and contacting your supplier of Kohler Co. parts. See Introduction for more instructions.

Transfer Switch Serial Number
Contactor Serial Number



Contactor, Model KSS 40-260 Amp

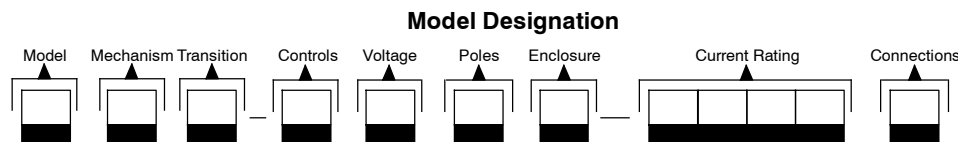
Use this table to identify the switch's contactor part number.

Item 9, Contactor Assembly			
Amps	Poles/Wires Code	Voltage Code	Part Number
40	N	C	GM30267
40	N	D, F	GM30268
40	N	G, H, J	GM30269
40	N	K, M	GM30270
40	N	N	GM93319
40	T	C	GM30271
40	T	D, F	GM30272
40	T	G, H, J	GM30273
40	T	K, M	GM30274
40	T	N	GM93320
40	V	C	GM30275
40	V	D, F	GM30276
40	V	G, H, J	GM30277
40	V	K, M	GM30278
40	V	N	GM93321
80	N	C	GM30279
80	N	D, F	GM30280
80	N	G, H, J	GM30281
80	N	K, M	GM30282
80	N	N	GM93322
80	T	C	GM30283
80	T	D, F	GM30284
80	T	G, H, J	GM30285
80	T	K, M	GM30286
80	T	N	GM93323
80	V	C	GM30287
80	V	D, F	GM30288
80	V	G, H, J	GM30289
80	V	K, M	GM30290
80	V	N	GM93324
100	N	C	GM30291
100	N	D, F	GM30292
100	N	G, H, J	GM30293
100	N	K, M	GM30294
100	N	N	GM93325
100	T	C	GM30295
100	T	D, F	GM30296
100	T	G, H, J	GM30297
100	T	K, M	GM30298
100	T	N	GM93326
100	V	C	GM30299
100	V	D, F	GM30300
100	V	G, H, J	GM30301
100	V	K, M	GM30302
100	V	N	GM93327

Item 9, Contactor Assembly			
Amps	Poles/Wires Code	Voltage Code	Part Number
150	N	C	GM30303
150	N	D, F	GM30304
150	N	G, H, J	GM30305
150	N	K, M	GM30306
150	N	N	GM93328
150	T	C	GM30307
150	T	D, F	GM30308
150	T	G, H, J	GM30309
150	T	K, M	GM30310
150	T	N	GM93329
150	V	C	GM30311
150	V	D, F	GM30312
150	V	G, H, J	GM30313
150	V	K, M	GM30314
150	V	N	GM93330
200	N	C	GM30315
200	N	D, F	GM30316
200	N	G, H, J	GM30317
200	N	K, M	GM30318
200	N	N	GM93331
200	T	C	GM30684
200	T	D, F	GM30685
200	T	G, H, J	GM30686
200	T	K, M	GM30687
200	T	N	GM93332
200	V	C	GM30688
200	V	D, F	GM30689
200	V	G, H, J	GM30690
200	V	K, M	GM30691
200	V	N	GM93333
225	N	C	GM28989
225	N	D, F	GM28990
225	N	G, H, J	GM28991
225	N	K, M	GM28992
225	N	N	GM93334
225	T	C	GM28993
225	T	D, F	GM28994
225	T	G, H, J	GM28995
225	T	K, M	GM28996
225	T	N	GM93335
225	V	C	GM28997
225	V	D, F	GM28998
225	V	G, H, J	GM28999
225	V	K, M	GM29000
225	V	N	GM93336
260	N	C	GM33067
260	N	D, F	GM33068
260	N	G, H, J	GM33069
260	N	K, M	GM33070
260	N	N	GM93337
260	T	C	GM33071
260	T	D, F	GM33072
260	T	G, H, J	GM33073
260	T	K, M	GM33074
260	T	N	GM93338
260	V	C	GM33075
260	V	D, F	GM33076
260	V	G, H, J	GM33077
260	V	K, M	GM33078
260	V	N	GM93339

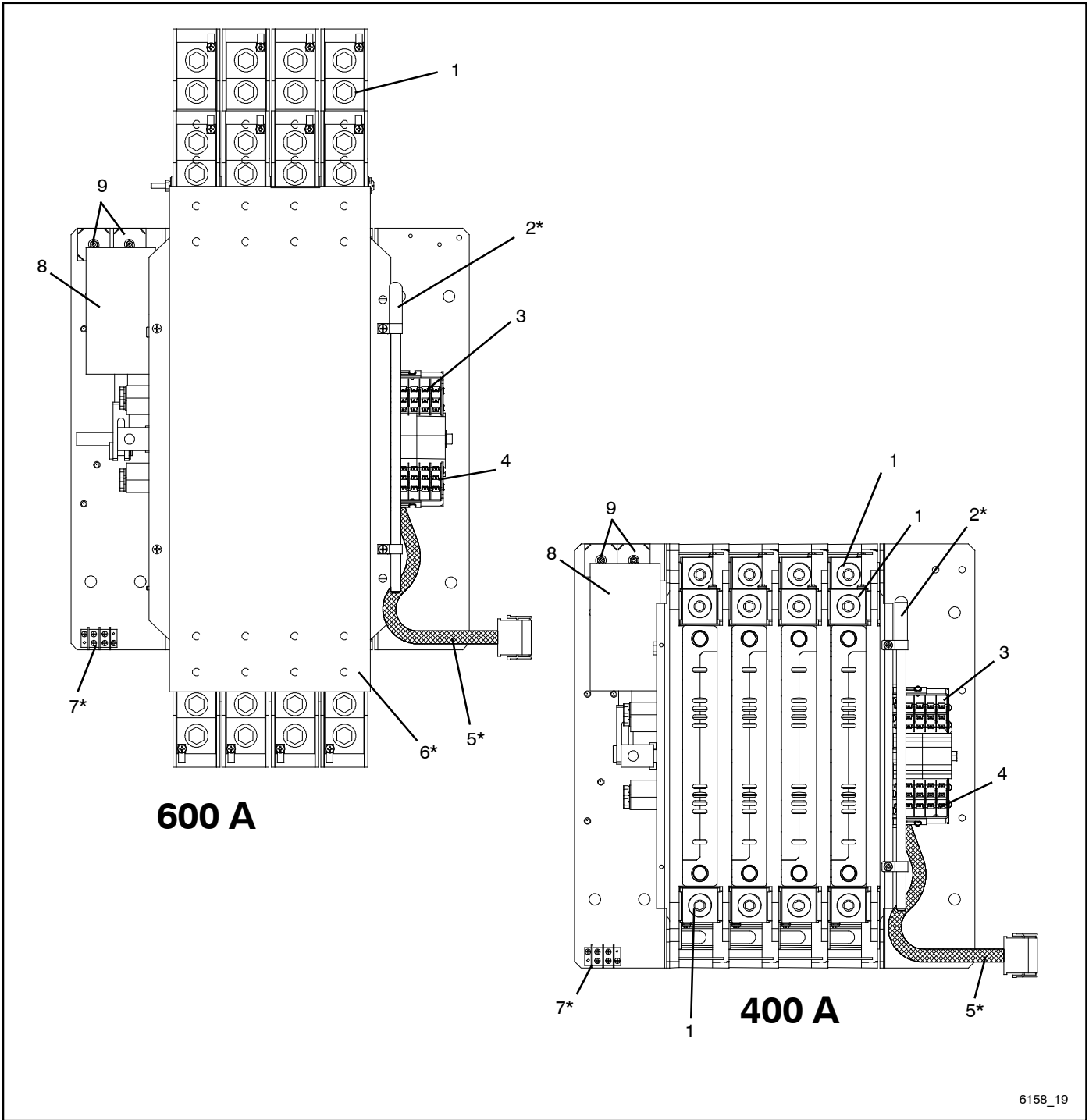
* Serviceable items without part numbers are available by recording the serial numbers and model designation below and contacting your supplier of Kohler Co. parts. See Introduction for more instructions.

Transfer Switch Serial Number
Contactor Serial Number



Contactor, Model KSS

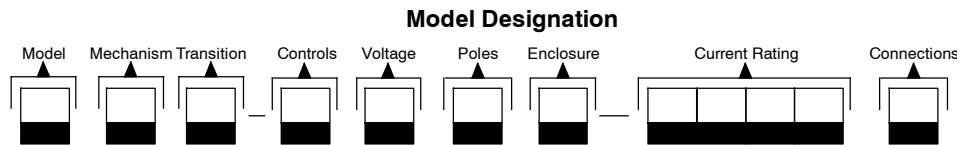
400-600 Amp



6158_19

* Serviceable items without part numbers are available by recording the serial numbers and model designation below and contacting your supplier of Kohler Co. parts. See Introduction for more instructions.

Transfer Switch Serial Number
Contactor Serial Number



Contactor, Model KSS 400-600 Amp

Item	Part Number	Description
1	GM63120	Kit, lug 400 A (#4-600 MCM)
1	321744	Lug 600 A (#2-600 MCM)
2	*	Handle
3	GM25434	Switch, coil cutout
4	GM25434	Contacts, auxiliary
5	*	Harness, wiring
6	*	Barrier
7	*	Terminal block, engine start
8	See chart	Solenoid
9	321781	Rectifier
10	See chart	Contactor assembly

Item 8, Solenoid		
Voltage	Voltage Code(s)	Part Number Item 8, Solenoid
208/220/240	C, D, F	GM32390
380/416	G, H, J	GM32391
440/480	K, M	GM32392
600	N	GM39163

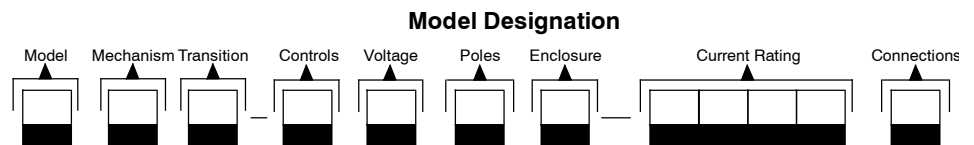
Use this table to identify the switch's contactor part number.

Item 9, Contactor Assembly			
Amps	Poles/Wires Code	Voltage Code	Part Number
400	N	C	GM29013
400	N	D, F	GM29014
400	N	G, H, J	GM29015
400	N	K, M	GM29016
400	N	N	GM93340
400	T	C	GM29017
400	T	D, F	GM29018
400	T	G, H, J	GM29019
400	T	K, M	GM29020
400	T	N	GM93341
400	V	C	GM29021
400	V	D, F	GM29022
400	V	G, H, J	GM29023
400	V	K, M	GM29024
400	V	N	GM93342

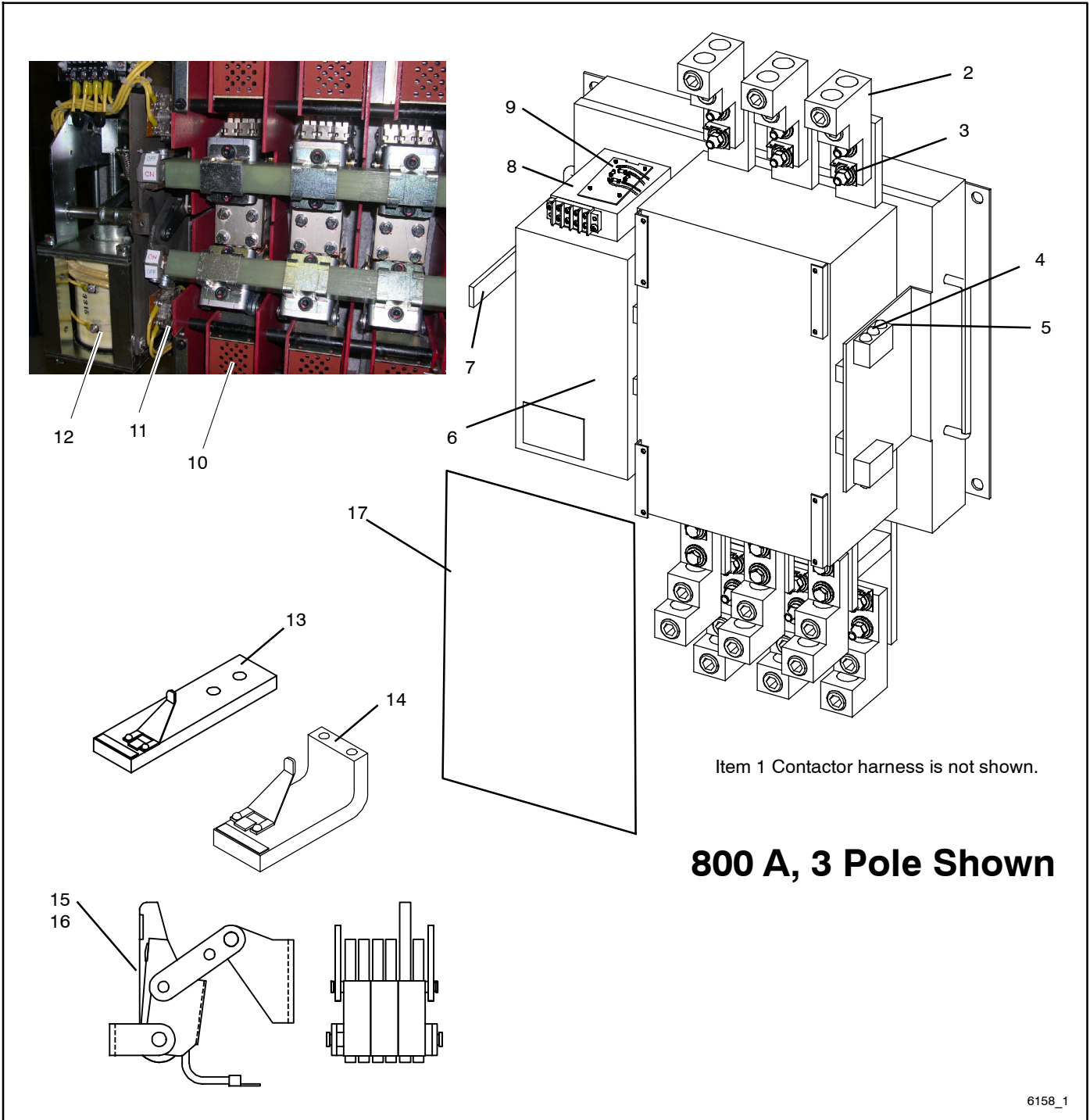
Item 9, Contactor Assembly			
Amps	Poles/Wires Code	Voltage Code	Part Number
600	N	C	GM29025
600	N	D, F	GM29026
600	N	G, H, J	GM29027
600	N	K, M	GM29028
600	N	N	GM93343
600	T	C	GM29029
600	T	D, F	GM29030
600	T	G, H, J	GM29031
600	T	K, M	GM29032
600	T	N	GM93344
600	V	C	GM29033
600	V	D, F	GM29034
600	V	G, H, J	GM29035
600	V	K, M	GM29036
600	V	N	GM93345

* Serviceable items without part numbers are available by recording the serial numbers and model designation below and contacting your supplier of Kohler Co. parts. See Introduction for more instructions.

Transfer Switch Serial Number
Contactor Serial Number

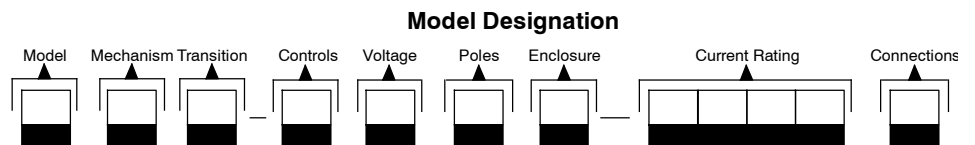


Contactor, KSS 800-1000 Amp



* Serviceable items without part numbers are available by recording the serial numbers and model designation below and contacting your supplier of Kohler Co. parts. See Introduction for more instructions.

Transfer Switch Serial Number
Contactor Serial Number



Contactor, Model KSS

800-1000 Amp

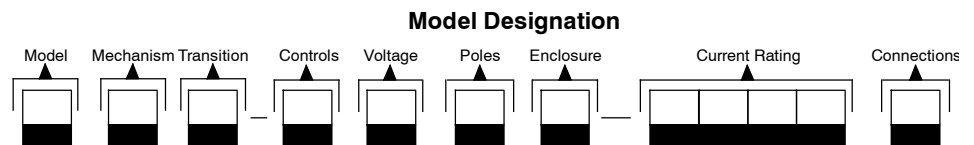
Item	Part Number	Description
1	GM52965	Harness, contactor
2	*	Lug
3	*	Terminal, ATS lug sensing
4	GM32484	Barrier, auxiliary contact
5	GM64126	Switch, auxiliary
6	*	Unit, mechanical
7	GM32476	Handle, manual
8	GM64127	Cover (MW4-06-3284)
9	*	Board, circuit (bridge rectifier)
10	GM32471	Chute, arc
11	GM32483	Switch, control
12	See chart	Coil
13	*	Contact, fixed A-side
14	*	Contact, fixed B-side
15	*	Contact, moving A-side
16	*	Contact, moving B-side
17	See chart	Shield, contactor
18	See chart	Contactor assembly (includes items 1-16)

Use this table to identify the switch's coil and contactor part number.

Items 12 and 17							
Poles/Wires Code	Poles/Wires	Voltage Code	Voltage	Amps	Part Number		
					Item 12 Coil	Item 17 Shield	Item 18 Contactor
T	3	C,D,F,R	208/220/240	800	GM64128	GM59858	GM52041
T	3	J,K,M	415/440/480	800	GM64130	GM59858	GM52418
V	4	C,D,F,R	208/220/240	800	GM64129	GM59857	GM52042
V	4	J,K,M	415/440/480	800	GM64131	GM59857	GM52419
T	3	C,D,F,R	208/220/240	1000	GM64128	GM59856	GM52037
T	3	J,K,M	415/440/480	1000	GM64130	GM59856	GM52420
V	4	C,D,F,R	208/220/240	1000	GM64129	GM59855	GM52038
V	4	J,K,M	415/440/480	1000	GM64131	GM59855	GM52421

* Serviceable items without part numbers are available by recording the serial numbers and model designation below and contacting your supplier of Kohler Co. parts. See Introduction for more instructions.

Transfer Switch Serial Number
Contactor Serial Number



Literature

Literature

Qty.	Description	Common Parts	Unique Parts by Model				
			KCB/KCC	KCS/KCP	KSS/KSP	KBS/KBP	KGS/KGP
1	Warranty, 1-year limited ATS	TP-5373					
1	P/C KC/KS/KB/KG 750/1200/1500 ATS	TP-6433					
1	O/I/M KCS/KCP Transfer Switch			TP-6446			
1	O/I/M KSS/KSP Transfer Switch				TP-6447		
1	O/I/M KBS/KBP Transfer Switch					TP-6448	
1	O/I/M KGS/KGP Transfer Switch						TP-6449
1	O/I/M KCC/KBC Transfer Switch		TP-6737				
1	W/D KCS/KCP/KSS/KSP			TP-6434	TP-6434		
1	W/D KBS/KSP/KGS/KGP					TP-6452	TP-6452
1	W/D KCC/KBC		TP-6743				
1	S/M MPAC 1500 KCS/KCP/KBS/KBP, ATS		TP-6460	TP-6460		TP-6460	
1	S/M KSS/KSP/KGS/KGP Transfer Switch				TP-6461		TP-6461
1	O/M MPAC 1500 Controls		TP-6714				

Literature Decision-Maker MPAC

Qty.	Description	Common Parts	Unique Parts by Model			
			KCS/KCP/KCC	KBS/KBP/KBC	KGS/KGP	KSS/KSP
1	Warranty, 1-year limited ATS	TP-5373				
1	P/C KC/KS/KB/KG 750/1200/1500 ATS	TP-6433				
1	O/I/M KCS/KCP/KCC, ATS		TP-6833			
1	O/I/M KBS/KBP/KBC, ATS			TP-6835		
1	O/I/M KGS/KGP, ATS				TP-6836	
1	O/I/M KSS/KSP, ATS					TP-6834
1	O/M MPAC 1200, ATS		TP-6866			TP-6866
1	O/M MPAC 1500, ATS		TP-6883	TP-6883	TP-6883	
1	O/M MPAC 750, ATS					TP-6865
1	W/D KCS/KCP/KCC/KBS/KBP/KBC, ATS		TP-6917	TP-6917		
1	W/D KSS/KSP/KGS/KGP, ATS				TP-6918	TP-6918
1	S/M KCS/KCP/KCC/KBS/KBP/KBC, ATS		TP-6920	TP-6920		
1	S/M KSS/KSP/KGS/KGP, ATS				TP-6921	TP-6921

Accessories

Adapter Bay (KG_Bypass)

Kits: GM38492-KP1 to GM38492-KP3

Qty.	Description	Parts		
		GM38492-KP1	GM38492-KP2	GM38492-KP3
1	Adapter bay	GM38493		
1	Adapter bay		GM38494	
1	Adapter bay			GM38495

Annunciator Kit

GM52650-KP1

Qty.	Description	Part Number
1	Decal, danger	362176
1	Connector, plug	GM23792
1	Enclosure, annunciator	GM28885
4	Bracket, mounting	GM29233
1	Panel, mounting	GM29524
1	Power supply	GM29525
1	Decal	GM29542
1	Annunciator	GM59877
1	Plate, bezel	GM49278
1	Panel, annunciator	GM30040
1	TT ATS remote annunciator	TT-1443

Battery Charger Kits, 30-800 A

Kits: GM22498-KA1(KP1) to GM22498-KA4(KP4)

Qty.	Description	Common Parts	Unique Parts			
			208 V	240 V	480 V	600 V
			GM22498-KP1	GM22498-KP2	GM22498-KP3	GM22498-KP4
1	Charger, battery	GM22502				
1	Harness, wiring		GM22530	GM22532	GM22531	GM22529
2	Lead, jumper	SWJ-1004-1414				
1	Terminal, 1/4 in. eyelet, 16-22 gauge	X-283-9				
2	Terminal, 3/16 in. pushon, 16-22 gauge	X-431-48				
2	Terminal, 3/8 in. eyelet, 16-22 gauge	X-283-21				
2	Terminal, 3/8 in. eyelet, 16-14 gauge	X-283-3				
2	Terminal, #10 eyelet, 10-12 gauge	X-283-11				
1	Screw, 1/4-20 x 3/4 in. thread-forming	X-67-114				
4	Nut, 1/4-20	X-6210-2				
1	Lockwasher, 1/4 in. internal/external	X-22-12				
1	Installation Instructions	TT-1320				

Battery Charger Kits, 1000-4000 A

Kits: GM22498-KA5(KP5) to GM22498-KA8(KP8)

Qty.	Description	Common Parts	Unique Parts			
			208 V	240 V	480 V	600 V
			GM22498-KP5	GM22498-KP6	GM22498-KP7	GM22498-KP8
1	Battery charger	GM22502				
1	Harness, wiring		GM22530	GM22532	GM22531	GM22529
1	Panel, mounting	GM22398				
2	Jumper lead	SWJ-1004-1414				
1	Terminal, 1/4 in. eyelet, 16-22 gauge	X-283-9				
2	Terminal, 3/16 in. pushon, 16-22 gauge	X-431-48				
2	Terminal, 3/8 in. eyelet, 16-22 gauge	X-283-21				
2	Terminal, 3/8 in. eyelet, 16-14 gauge	X-283-3				
2	Terminal, #10 eyelet, 10-12 gauge	X-283-11				
5	Screw, 1/4-20 x 3/4 in. thread-forming	X-67-114				
4	Nut, 1/4-20	X-6210-2				
1	Lockwasher, 1/4 in. internal/external	X-22-12				
1	Installation Instructions	TT-1320				

Box, Cable Connection

GM55483-KP1

Qty.	Description	Part Number
1	Box, pull J-pass	GM55482

Accessories, continued

Converter, RS232/RS485 GM41143-KP1

Qty.	Description	Part Number
1	Converter, RS232/RS485	GM41096
1	TT Converters & Connectors	TT-1405
1	Resistor, 121 Ohm 1/4 W	X-6058-27

Converter, Modbus to Ethernet GM41143-KP2

Qty.	Description	Part Number
1	Plug, 8-position cage clamp	GM40142
1	Assy., Modbus to Ethernet converter	GM40165
1	Software, device installer	GM41146
1	Adapter, 90-264 VAC to 12 VDC	GM41708
1	Adapter, universal AC plug	GM41709
1	Cable, CAT5E crossover patch, 3 ft.	GM46845
1	TT Converters & Connectors	TT-1405

Cable, Ribbon GM41144-KP1

Qty.	Description	Part Number
1	Cable, DB9M,DB9F, Null Modem	GM16657
1	TT Converters & Connectors	TT-1405

Current Sensing

Kits: GM47965-KA1(KP1) to GM47965-KA4(KP4)

Qty.	Description	Common Parts	Unique Parts			
			GM47965-KA1	GM47965-KA2	GM47965-KA3	GM47965-KA4
1	Insulation, terminal block	GM47797				
1	Harness, CT	GM47798				
1	Bracket, terminal block mounting	GM47801				
1	Terminal block	X-6126-27				
1	Harness, CT 6 ft.		GM40560	GM40561	GM40560	GM40561
3	Transformer, current (200:0.5A)		GM47788	GM47788		
3	Transformer, current (400:0.5A)				GM47789	GM47789
1	Bracket, CT mounting			GM47799		GM47799

Kits: GM47965-KA5(KP5) to GM47965-KA8(KP8)

Qty.	Description	Common Parts	Unique Parts			
			GM47965-KA5	GM47965-KA6	GM47965-KA7	GM47965-KA8
1	Insulation, terminal block	GM47797				
1	Harness, CT	GM47798				
1	Bracket, terminal block mounting	GM47801				
1	Terminal block	X-6126-27				
1	Harness, CT 6 ft.	GM40562				
3	Transformer, current (1000:0.5A)		GM47790			
3	Transformer, current (1200:0.5A)			GM47791	GM47791	
3	Transformer, current (2000:0.5A)					GM47792
1	Bracket, CT mounting		GM47800			GM47800
1	Channel, CT mounting			GM47802		GM47802

Kits: GM47965-KA9(KP9) to GM47965-KA11(KP11)

Qty.	Description	Common Parts	Unique Parts		
			GM47965-KA9	GM47965-KA10	GM47965-KA11
1	Insulation, terminal block	GM47797			
1	Harness, CT	GM47798			
1	Bracket, terminal block mounting	GM47801			
1	Terminal block	X-6126-27			
1	Harness, CT 6 ft.	GM40562			
3	Transformer, current (2000:0.5A)		GM47792	GM47792	
3	Transformer, current (3000:0.5A)				GM47793
1	Bracket, CT mounting		GM47800		

Accessories, continued

Current Sensing, continued

Kits: GM47965-KA12(KP12) to GM47965-KA15(KP15)

Qty.	Description	Common Parts	Unique Parts			
			GM47965-KA12	GM47965-KA13	GM47965-KA14	GM47965-KA15
1	Insulation, terminal block	GM47797				
1	Harness, CT	GM47798				
1	Bracket, terminal block mtg.	GM47801				
1	Terminal block	X-6126-27				
1	Harness, CT 6 ft.		GM40560	GM40561	GM40560	GM40561
2	Transformer, current (200:0.5A)		GM47788	GM47788		
2	Transformer, current (400:0.5A)				GM47789	GM47789
1	Bracket, CT mounting			GM47799		GM47799

Kits: GM47965-KA16(KP16) to GM47965-KA18(KP18)

Qty.	Description	Common Parts	Unique Parts		
			GM47965-KA16	GM47965-KA17	GM47965-KA18
1	Insulation, terminal block	GM47797			
1	Harness, CT	GM47798			
1	Bracket, terminal block mounting	GM47801			
1	Terminal block	X-6126-27			
1	Harness, CT 6 ft.	GM40562			
2	Transformer, current (1000:0.5A)		GM47790		
2	Transformer, current (1200:0.5A)			GM47791	GM47791
1	Bracket, CT mounting		GM47800	GM47800	GM47800
1	Channel, CT mounting			GM47802	

Kits: GM89028-KA1(KP1) to GM89028-KA4(KP4)

Qty.	Description	Common Parts	Unique Parts			
			GM89028-KA1	GM89028-KA2	GM89028-KA3	GM89028-KA4
2	Screw, Plastic Tapping, 6- 19 x 0.75	GM21583				
1	Insulation, Terminal Block	GM47797				
1	Terminal block	X-6126-27				
1	Harness, CT (TB to PCB connector)	GM89029				
3	Transformer, Current		GM47788	GM47788	GM47788	GM47789
1	Harness, CT		GM40561	GM40561	GM40562	GM40560

Kits: GM89028-KA5(KP5) to GM89028-KA8(KP8)

Qty.	Description	Common Parts	Unique Parts			
			GM89028-KA5	GM89028-KA6	GM89028-KA7	GM89028-KA8
2	Screw, Plastic Tapping, 6- 19 x 0.75	GM21583				
1	Insulation, Terminal Block	GM47797				
1	Terminal block	X-6126-27				
1	Harness, CT (TB to PCB connector)	GM89029				
3	Transformer, Current		GM47789	GM47789	GM47790	GM47790
1	Harness, CT		GM40561	GM40562	GM40562	GM40562

Kits: GM89028-KA9(KP9) to GM89028-KA12(KP12)

Qty.	Description	Common Parts	Unique Parts			
			GM89028-KA9	GM89028-KA10	GM89028-KA11	GM89028-KA12
2	Screw, Plastic Tapping, 6- 19 x 0.75	GM21583				
1	Insulation, Terminal Block	GM47797				
1	Terminal block	X-6126-27				
1	Harness, CT (TB to PCB connector)	GM89029				
3	Transformer, Current		GM47791	GM47791	GM47791	GM47792
1	Harness, CT		GM40562	GM40562	GM40562	GM40562

Accessories, continued

Current Sensing, continued

Kits: GM89028-KA13(KP13) to GM89028-KA12(KP16)

Qty.	Description	Common Parts	Unique Parts			
			GM89028-KA13	GM89028-KA14	GM89028-KA15	GM89028-KA16
2	Screw, Plastic Tapping, 6-19 x 0.75	GM21583				
1	Insulation, Terminal Block	GM47797				
1	Terminal block	X-6126-27				
1	Harness, CT (TB to PCB connector)	GM89029				
3	Transformer, Current		GM47792	GM47792	GM47792	GM47793
1	Harness, CT		GM40562	GM40562	GM40562	GM40562

Kits: GM89028-KA17(KP17) to GM89028-KA20(KP20)

Qty.	Description	Common Parts	Unique Parts			
			GM89028-KA17	GM89028-KA18	GM89028-KA19	GM89028-KA20
2	Screw, Plastic Tapping, 6-19 x 0.75	GM21583				
1	Insulation, Terminal Block	GM47797				
1	Terminal block	X-6126-27				
1	Harness, CT (TB to PCB connector)	GM89029				
3	Transformer, Current		GM47793	GM47794	GM47788 (2)	GM47788 (2)
1	Harness, CT		GM40562	GM40562	GM40560	GM40561

Kits: GM89028-KA21(KP21) to GM89028-KA24(KP24)

Qty.	Description	Common Parts	Unique Parts			
			GM89028-KA21	GM89028-KA22	GM89028-KA23	GM89028-KA24
2	Screw, Plastic Tapping, 6-19 x 0.75	GM21583				
1	Insulation, Terminal Block	GM47797				
1	Terminal block	X-6126-27				
1	Harness, CT (TB to PCB connector)	GM89029				
3	Transformer, Current		GM47788	GM47789 (2)	GM47789 (2)	GM47789
1	Harness, CT		GM40562	GM40560	GM40561	GM40562

Kits: GM89028-KA25(KP25) to GM89028-KA28(KP28)

Qty.	Description	Common Parts	Unique Parts			
			GM89028-KA25	GM89028-KA26	GM89028-KA27	GM89028-KA28
2	Screw, Plastic Tapping, 6-19 x 0.75	GM21583				
1	Insulation, Terminal Block	GM47797				
1	Terminal block	X-6126-27				
1	Harness, CT (TB to PCB connector)	GM89029				
3	Transformer, Current		GM47790 (2)	GM47790 (2)	GM47791 (2)	GM47791 (2)
1	Harness, CT		GM40562	GM40562	GM40562	GM40562

Kits: GM89028-KA29(KP29)

Qty.	Description	Common Parts	Unique Parts			
			GM89028-KA29			
2	Screw, Plastic Tapping, 6-19 x 0.75	GM21583				
1	Insulation, Terminal Block	GM47797				
1	Terminal block	X-6126-27				
1	Harness, CT (TB to PCB connector)	GM89029				
3	Transformer, Current		GM47791 (2)			
1	Harness, CT		GM40562			

Ethernet Accessory

GM89855-KA1(KP1)

Qty.	Description	Part Number
2	Screw, Plastic Tapping, 6-19 x 0.375	GM23307
1	PCB Assy, MPAC Ethernet Interface	GM86365
1	CABLE, 1mm FFC JUMPER, 4 INCH	GM87488

External Battery Supply Module

GM46889-KA1(KP1)

Qty.	Description	Part Number
1	PCB assembly, MPAC1500 external BOB	GM42227
1	TT Accessory Modules, Model K1/S1, ATS	TT-1449

See Note.

Note: Module requires a mounting assembly. When module(s) are ordered as a loose accessory, a mounting assembly (GM46258-KP1) must be ordered.

Accessories, continued

Heaters

Kits: GM71056-KA1(KP1) and GM71056-KA5(KP5)

Qty.	Description	Common Parts	Unique Parts	
			GM71056-KA1	GM71056-KA5
1	Heater Assy, 100 W (includes the following)		GM71653-1	
1	Heater Assy, 250 W (includes the following)			GM71653-2
2	Stop, end	321025		
1	Breaker, Circuit 15A	GM33906		
1	Rail, Din	GM48806		
1	Hygrostat	GM64488		
1	Bracket, heater	GM71054		
1	Bracket, heater	GM74944		
1	Harness, strip heater	GM71279		
2	Washer, insulating	GM70082		
1	Guard, heater		GM74945	GM74946
1	Decal, 120VAC only	GM75393		
1	Grommet, round	X-284-7		
1	Terminal block	X-405-2		
1	Heater Installation, ModelK1, ATS	TT-1558		

Note: Module requires a mounting assembly. When module(s) are ordered as a loose accessory, a mounting assembly (GM46258-KP1) must be ordered.

Input/Output Module GM46888-KA1(KP1)

Qty.	Description	Part Number
1	PCB assembly, standard I/O module	GM41093
1	TT Accessory Modules, Model K1/S1, ATS	TT-1449

See Note.

Input/Output Module GM46890-KA1(KP1)

Qty.	Description	Part Number
1	PCB assembly, high power I/O module	GM42186
1	TT Accessory Modules, Model K1/S1, ATS	TT-1449

See Note.

Input/Output Module Mounting GM46258-KA1(KP1)

Qty.	Description	Part Number
1	Bracket, I/O	GM46754
1	Cover, I/O	GM49269
1	Decal	GM46756
1	Harness, wiring	GM46921
1	TT Accessory Modules, Model K1/S1, ATS	TT-1449

Line To Neutral Voltage Monitoring Module, 30-800 Amp GM23425-KA1(KP1)

Qty.	Description	Part Number
1	Tool, pin extractor	241918
3	Base, cable tie	298776
3	Tie, cable	X-468-1
3	Terminal, 3/8 in. eyelet	X-283-21
3	Lead, 66 in.	SWN-1866-19200
1	Installation Instructions	TT-1328

Line To Neutral Voltage Monitoring Module, 1000-4000 Amp GM23425-KA2(KP2)

Qty.	Description	Part Number
1	Tool, pin extractor	241918
3	Base, cable tie	298776
3	Tie, cable	X-468-1
3	Terminal, 3/8 in. eyelet	X-283-21
3	Lead, 120 in.	SWN-18120-19200
1	Installation Instructions	TT-1328

Accessories, continued

Load Shed Modules

Kits: GM23469-KA1 to GM23469-KA4

Qty.	Description	Common Parts	Unique Parts			
			GM23469-KA1	GM23469-KA2	GM23469-KA3	GM23469-KA4
2	Contactors	353390				
1	Transformer		GM23491	GM47736	GM23491	GM47736
1	Bracket, Mounting	GM23492				
1	Rail, Din	GM23502				
1	Harness, Load Shed Interconnection		GM80966	GM80966	GM80968	GM80968
1	Harness, Wiring Dead Bus Relay		GM80967	GM80967		
1	Harness, Wiring Load Shed Assembly		GM81383	GM80967		
4	Jumper, term block 2 pos	X-6048-2				
4	Fuse holder, 30 A, 600 V	X-6129-16				
2	Fuse, 5 A, 250 V	X-6134-14				
2	Fuse, 2 A, 600 V	X-6135-3				

Kits: GM23469-KA5 to GM23469-KA8

Qty.	Description	Common Parts	Unique Parts			
			GM23469-KA5	GM23469-KA6	GM23469-KA7	GM23469-KA8
2	Contactors	353390				
1	Transformer		GM23491	GM47736	GM23491	GM23491
1	Bracket, Mounting	GM23492				
1	Rail, Din	GM23502				
1	Harness, Load Shed Interconnection		GM80969	GM80969	GM80970	GM81370
1	Harness, Wiring Dead Bus Relay					
1	Harness, Wiring Load Shed Assembly		GM81383	GM80967		
4	Jumper, term block 2 pos	X-6048-2				
4	Fuse holder, 30 A, 600 V	X-6129-16				
2	Fuse, 5 A, 250 V	X-6134-14				
2	Fuse, 2 A, 600 V	X-6135-3				

Kits: GM23469-KA9 to GM23469-KA12

Qty.	Description	Common Parts	Unique Parts			
			GM23469-KA9	GM23469-KA10	GM23469-KA11	GM23469-KA12
2	Contactors	353390				
1	Transformer		GM23491	GM47736	GM23491	GM23491
1	Bracket, Mounting	GM23492				
1	Rail, Din	GM23502				
1	Harness, Load Shed Interconnection		GM81560	GM81560	GM81113	GM81114
1	Harness, Wiring Dead Bus Relay					
1	Harness, Wiring Load Shed Assy.		GM81383	GM80967		
4	Jumper, term block 2 pos	X-6048-2				
4	Fuse holder, 30 A, 600 V	X-6129-16				
2	Fuse, 5 A, 250 V	X-6134-14				
2	Fuse, 2 A, 600 V	X-6135-3				

Accessories, continued

Logic Disconnect

Kits: GM46770-KA1(KP1) to GM46770-KA4(KP4)

Qty.	Description	Common Parts	Unique Parts			
			GM46770-KA1	GM46770-KA2	GM46770-KA3	GM46770-KA4
1	Bracket, disconnect switch	GM46772				
1	Decal, logic disconnect	GM40575				
1	Switch, disconnect		GM46771	GM46771	GM48910	GM48910
1	Harness		GM46773	GM46774	GM46773	GM46774
1	Harness, extension (sold separately)		294731	GM46919	294731	GM46919

Lugs (KG_Bypass)

Kits: GM47968-KP1 to GM47968-KP5

Qty.	Description		Parts			
			GM47968-KP1	GM47968-KP2	GM47968-KP3	GM47968-KP4
1	Lugs,Comp 600A Std, (2) 500MCM	GM60398-1				
1	Lugs,Comp 800A Std (3) 500MCM		GM60398-2			
1	Lugs,Comp 1000A Std, (4) 500MCM			GM60398-3		
1	Lugs,Comp 1200A Std, (4) 500MCM				GM60398-4	
1	Lugs,Mech 1200A Std, (4) 750MCM					GM60398-5

Kits: GM47968-KP6 to GM47968-KP10

Qty.	Description		Parts			
			GM47968-KP6	GM47968-KP7	GM47968-KP8	GM47968-KP9
1	Lugs,Mech 1600/2000A Std, (4) 600MCM	GM60398-6				
1	Lugs,Mech 1600/2000A BIS, (4) 600MCM		GM60398-7			
1	Lugs,Mech 1600/2000A Std, (8) 600MCM			GM60398-8		
1	Lugs,Mech 1600/2000A BIS, (8) 600MCM				GM60398-9	
1	Lugs,Mech 1600/2000A Std, (8) 750MCM					GM60398-10

Kits: GM47968-KP11 to GM47968-KP14

Qty.	Description		Parts			
			GM47968-KP11	GM47968-KP12	GM47968-KP13	GM47968-KP14
1	Lugs,Mech 1600/2000A BIS, (8) 750MCM		GM60398-11			
1	Lugs,Comp 1600/2000A Std/BIS, (4) 500MCM			GM60398-12		
1	Lugs,Comp 1600/2000A Std/BIS, (6) 750MCM				GM60398-13	
1	Lugs,Comp 1600/2000A Std/BIS, (8) 500MCM					GM60398-14

Kits: GM47968-KP15 to GM47968-KP18

Qty.	Description		Parts			
			GM47968-KP15	GM47968-KP16	GM47968-KP17	GM47968-KP18
1	Lugs,Comp 3000A Std/BIS, (8) 500MCM		GM60398-15			
1	Lugs,Comp 3000A Std/BIS, (6) 750MCM			GM60398-16		
1	Lugs,Comp 4000A Std/BIS, (12) 500MCM				GM60398-17	
1	Lugs,Comp 4000A Std/BIS, (12) 750MCM					GM60398-18

Modem, Device

GM41142-KP1

Qty.	Description	Part Number
1	Cable, DB9M/DB9F, AT modem	GM16658
1	Isolator, optical	GM17837
1	Connector, null modem	GM29363
1	Connector	GM29364
1	Converter, RS232/RS485	GM41096
1	Modem, device	GM41116
1	TT Converters & Connectors	TT-1405
1	Resistor, 121 Ohm 1/4 W	X-6058-27

Accessories, continued

Monitor III Software

GM41141-KP1

Qty.	Description	Part Number
1	Cable, DB9M/DB9F, null modem	GM16657
1	USB interface	GM29225
1	Software, Windows Monitor III	GM41097
1	O/M Monitor III Software	TP-6347
1	TT Converters & Connections, Monitor III	TT-1405
1	Resistor, 121 Ohm	X-6058-27

Monitor III Software w/Modem

GM41141-KP2

Qty.	Description	Part Number
1	Cable, DB9M/DB25M, AT modem	GM16658
1	Isolator, optical	GM17837
1	USB interface	GM29225
1	Connector, null modem	GM29363
1	Connector	GM29364
1	Converter, RS232/RS485	GM41096
1	Software, Windows Monitor III	GM41097
1	Modem, device	GM41115
1	O/M Monitor III Software	TP-6347
1	TT Converters & Connections, Monitor III	TT-1405
1	Resistor, 121 Ohm	X-6058-27

Power Meter, Digital

Kits: GM39070-KA1(KP1) to GM39070-KA4(KP4)

Qty.	Description	Common Parts	Unique Parts			
			GM39070-KA1	GM39070-KA2	GM39070-KA3	GM39070-KA4
1	Door, enclosure	GM39079				
1	Harness, wiring	GM39069				
1	Switch, 3-position selector	GM39076				
1	Meter, digital		GM40070	GM40070	GM38864	GM38864
—	Current transformer		246886 (2)	246886 (3)	246886 (2)	246886 (3)
1	Transformer (150:5)		GM40071	GM40071		
2	Guard, terminal		GM46368	GM46368		
1	Conduit, convoluted	X-6003-36				

Kits: GM39071-KA1(KP1) to GM39071-KA4(KP4)

Qty.	Description	Common Parts	Unique Parts			
			GM39071-KA1	GM39071-KA2	GM39071-KA3	GM39071-KA4
1	Door, enclosure	GM39080				
1	Harness, wiring	GM39069				
1	Switch, 3-position selector	GM39076				
1	Meter, digital		GM40070	GM40070	GM38864	GM38864
—	Current transformer (400:5)		248874 (2)	248874 (3)	248874 (2)	248874 (3)
1	Transformer		GM40071	GM40071		
2	Guard, terminal		GM46368	GM46368		
1	Conduit, convoluted	X-6003-36				

Kits: GM39072-KA1(KP1) to GM39072-KA4(KP4)

Qty.	Description	Common Parts	Unique Parts			
			GM39072-KA1	GM39072-KA2	GM39072-KA3	GM39072-KA4
1	Door, enclosure	GM39081				
1	Harness, wiring	GM39069				
1	Switch, 3-position selector	GM39076				
1	Meter, digital		GM40070	GM40070	GM38864	GM38864
—	Current transformer (1000:5)		291546 (2)	291546 (3)	291546 (2)	291546 (3)
1	Transformer		GM40071	GM40071		
2	Guard, terminal		GM46368	GM46368		

Accessories, continued

Power Meter, Digital , continued

Kits: GM39073-KA1(KP1) to GM39073-KA2(KP2) and GM39074-KA1(KP1) to GM39074-KA2(KP2)

Qty.	Description	Common Parts	Unique Parts			
			GM39073-KA1	GM39073-KA2	GM39074-KA1	GM39074-KA2
1	Door, enclosure	GM39082				
1	Harness, wiring	GM39069				
1	Switch, 3-position selector	GM39076				
1	Meter, digital		GM40070	GM38864	GM40070	GM38864
3	Current transformer (2000:5)		291548	291548		
3	Current transformer (3000:5)				297675	297675
1	Transformer		GM40071		GM40071	
2	Guard, terminal		GM46368		GM46368	

Kits: GM39075-KA1(KP1) to GM39075-KA2(KP2)

Qty.	Description	Common Parts	Unique Parts	
			GM39075-KA1	GM39075-KA2
1	Door, enclosure	GM39084		
1	Harness, wiring	GM39069		
1	Switch, 3-position selector	GM39076		
1	Meter, digital		GM40070	GM38864
3	Current transformer (4000:5)		297676	
1	Transformer		GM40071	
2	Guard, terminal		GM46368	

Kits: GM39077-KA1(KP1) to GM39077-KA4(KP4)

Qty.	Description	Common Parts	Unique Parts			
			GM39077-KA1	GM39077-KA2	GM39077-KA3	GM39077-KA4
1	Door, enclosure	GM39085				
1	Harness, wiring	GM39069				
1	Switch, 3-position selector	GM39076				
1	Meter, digital		GM40070	GM40070	GM38864	GM38864
—	Current transformer (150:5)		246886 (2)	246886 (3)	246886 (2)	246886 (3)
1	Transformer		GM40071	GM40071		
2	Guard, terminal		GM46368	GM46368		
1	Conduit, convoluted	X-6003-36				

Kits: GM39078-KA1(KP1) to GM39078-KA4(KP4)

Qty.	Description	Common Parts	Unique Parts			
			GM39078-KA1	GM39078-KA2	GM39078-KA3	GM39078-KA4
1	Door, enclosure	GM39085				
1	Harness, wiring	GM39069				
1	Switch, 3-position selector	GM39076				
1	Meter, digital		GM40070	GM40070	GM38864	GM38864
—	Current transformer (400:5)		248874 (2)	248874 (3)	248874 (2)	248874 (3)
1	Transformer		GM40071	GM40071		
2	Guard, terminal		GM46368	GM46368		
1	Conduit, convoluted	X-6003-36				

Kits: GM39088-KA1(KP1) to GM39088-KA4(KP4)

Qty.	Description	Common Parts	Unique Parts			
			GM39088-KA1	GM39088-KA2	GM39088-KA3	GM39088-KA4
1	Door, enclosure	GM39081				
1	Harness, wiring	GM39069				
1	Switch, 3-position selector	GM39076				
1	Meter, digital		GM40070	GM40070	GM38864	GM38864
—	Current transformer (150:5)		246886 (2)	246886 (3)	246886 (2)	246886 (3)
1	Transformer		GM40071	GM40071		
2	Guard, terminal		GM46368	GM46368		
1	Conduit, convoluted			X-6003-36		X-6003-36

Accessories, continued

Power Meter, Digital , continued

Kits: GM39089-KA1(KP1) to GM39089-KA4(KP4)

Qty.	Description	Common Parts	Unique Parts			
			GM39089-KA1	GM39089-KA2	GM39089-KA3	GM39089-KA4
1	Door, enclosure	GM39081				
1	Harness, wiring	GM39069				
1	Switch, 3-position selector	GM39076				
1	Meter, digital		GM40070	GM40070	GM38864	GM38864
—	Current transformer (400:5)		248874 (2)	248874 (3)	248874 (2)	248874 (3)
1	Transformer		GM40071	GM40071		
2	Guard, terminal		GM46368	GM46368		
1	Conduit, convoluted			X-6003-36		X-6003-36

Kits: GM40069-KA1(KP1) to GM40069-KA2(KP2)

Qty.	Description	Common Parts	Unique Parts	
			GM40069-KA1	GM40069-KA2
1	Door, enclosure	GM39082		
1	Harness, wiring	GM39069		
1	Switch, 3-position selector	GM39076		
1	Meter, digital		GM40070	GM38864
3	Current transformer (1500:5)		291547	
1	Transformer		GM40071	
2	Guard, terminal		GM46368	

Kits: GM41945-KA1(KP1) to GM41945-KA4(KP4)

Qty.	Description	Common Parts	Unique Parts			
			GM41945-KA1	GM41945-KA2	GM41945-KA3	GM41945-KA4
1	Door, enclosure	GM39080				
1	Harness, wiring	GM39069				
1	Switch, 3-position selector	GM39076				
1	Meter, digital		GM40070	GM40070	GM38864	GM38864
—	Current transformer (150:5)		246886 (2)	246886 (3)	246886 (2)	246886 (3)
1	Transformer		GM40071		GM40071	
2	Guard, terminal		GM46368		GM46368	
1	Conduit, convoluted	X-6003-36				

Kits: GM41946-KA1(KP1) to GM41946-KA4(KP4)

Qty.	Description	Common Parts	Unique Parts			
			GM41946-KA1	GM41946-KA2	GM41946-KA3	GM41946-KA4
1	Door, enclosure	GM39085				
1	Harness, wiring	GM39069				
1	Switch, 3-position selector	GM39076				
1	Meter, digital		GM40070	GM40070	GM38864	GM38864
—	Current transformer (600:5)		297148 (2)	297148 (3)	297148 (2)	297148 (3)
1	Transformer		GM40071		GM40071	
2	Guard, terminal		GM46368	GM46368		

Kits: GM59158-KA1 to GM59158-KA4

Qty.	Description	Common Parts	Unique Parts			
			GM59158-KA1	GM59158-KA2	GM59158-KA3	GM59158-KA4
1	Door, enclosure	GM39085				
1	Harness, wiring	GM39069				
1	Switch, 3-position selector	GM39076				
1	Meter, digital		GM40070	GM40070	GM38864	GM38864
—	Current transformer (1000:5)		291546 (2)	291546 (3)	291546 (2)	291546 (3)
1	Transformer		GM40071	GM40071		
2	Guard, terminal		GM46368	GM46368		

Accessories, continued

Power Meter, Digital , continued

Kits: GM67267-KA1(KP1) to GM67267-KA4(KP4)

Qty.	Description	Common Parts	Unique Parts			
			GM67267-KA1	GM67267-KA2	GM67267-KA3	GM67267-KA4
1	Door, enclosure	GM39079				
1	Harness, wiring	GM67334				
1	Switch, 3-position selector	GM39076				
1	Meter, digital		GM67193	GM67193	GM67192	GM67192
—	Current transformer (150:5)		246886 (2)	246886 (3)	246886 (2)	246886 (3)
1	Transformer		GM40071	GM40071		
2	Guard, terminal		GM46368	GM46368		
1	Conduit, convoluted	X-6003-36				
1	Installation instructions	TT-1606				

Kits: GM67267-KA5(KP5) to GM67267-KA8(KP8)

Qty.	Description	Common Parts	Unique Parts			
			GM67267-KA5	GM67267-KA6	GM67267-KA7	GM67267-KA8
1	Door, enclosure	GM39080				
1	Harness, wiring	GM67334				
1	Switch, 3-position selector	GM39076				
1	Meter, digital		GM67193	GM67193	GM67192	GM67192
—	Current transformer (400:5)		248874 (2)	248874 (3)	248874 (2)	248874 (3)
1	Transformer		GM40071	GM40071		
2	Guard, terminal		GM46368	GM46368		
1	Conduit, convoluted	X-6003-36				
1	Installation instructions	TT-1606				

Kits: GM67267-KA9(KP9) to GM67267-KA12(KP12)

Qty.	Description	Common Parts	Unique Parts			
			GM67267-KA9	GM67267-KA10	GM67267-KA11	GM67267-KA12
1	Door, enclosure	GM39080				
1	Harness, wiring	GM67334				
1	Switch, 3-position selector	GM39076				
1	Meter, digital		GM67193	GM67193	GM67192	GM67192
—	Current transformer (150:5)		246886 (2)	246886 (3)	246886 (2)	246886 (3)
1	Transformer		GM40071	GM40071		
2	Guard, terminal		GM46368	GM46368		
1	Conduit, convoluted	X-6003-36				
1	Installation instructions	TT-1606				

Kits: GM67267-KA13(KP13) to GM67267-KA16(KP16)

Qty.	Description	Common Parts	Unique Parts			
			GM67267-KA13	GM67267-KA14	GM67267-KA15	GM67267-KA16
1	Door, enclosure	GM39085				
1	Harness, wiring	GM67334				
1	Switch, 3-position selector	GM39076				
1	Meter, digital		GM67193	GM67193	GM67192	GM67192
—	Current transformer (150:5)		246886 (2)	246886 (3)	246886 (2)	246886 (3)
1	Transformer		GM40071	GM40071		
2	Guard, terminal		GM46368	GM46368		
1	Conduit, convoluted	X-6003-36				
1	Installation instructions	TT-1606				

Kits: GM67267-KA17(KP17) to GM67267-KA20(KP20)

Qty.	Description	Common Parts	Unique Parts			
			GM67267-KA17	GM67267-KA18	GM67267-KA19	GM67267-KA20
1	Door, enclosure	GM39085				
1	Harness, wiring	GM67334				
1	Switch, 3-position selector	GM39076				
1	Meter, digital		GM67193	GM67193	GM67192	GM67192
—	Current transformer (400:5)		248874 (2)	248874 (3)	248874 (2)	248874 (3)
1	Transformer		GM40071	GM40071		
2	Guard, terminal		GM46368	GM46368		
1	Conduit, convoluted	X-6003-36				
1	Installation instructions	TT-1606				

Accessories, continued

Power Meter, Digital , continued

Kits: GM67267-KA21(KP21) to GM67267-KA24(KP24)

Qty.	Description	Common Parts	Unique Parts			
			GM67267-KA21	GM67267-KA22	GM67267-KA23	GM67267-KA24
1	Door, enclosure	GM39085				
1	Harness, wiring	GM67334				
1	Switch, 3-position selector	GM39076				
1	Meter, digital		GM67193	GM67193	GM67192	GM67192
—	Current transformer (1000:5)		291546 (2)	291546 (3)	291546 (2)	291546 (3)
1	Transformer		GM40071	GM40071		
2	Guard, terminal		GM46368	GM46368		
1	Conduit, convoluted	X-6003-36				
1	Installation instructions	TT-1606				

Kits: GM67267-KA25(KP25) to GM67267-KA28(KP28)

Qty.	Description	Common Parts	Unique Parts			
			GM67267-KA25	GM67267-KA26	GM67267-KA27	GM67267-KA28
1	Door, enclosure	GM39085				
1	Harness, wiring	GM67334				
1	Switch, 3-position selector	GM39076				
1	Meter, digital		GM67193	GM67193	GM67192	GM67192
—	Current transformer (600:5)		297148 (2)	297148 (3)	297148 (2)	297148 (3)
1	Transformer		GM40071	GM40071		
2	Guard, terminal		GM46368	GM46368		
1	Installation instructions	TT-1606				

Kits: GM67267-KA29(KP29) to GM67267-KA32(KP32)

Qty.	Description	Common Parts	Unique Parts			
			GM67267-KA29	GM67267-KA30	GM67267-KA31	GM67267-KA32
1	Door, enclosure	GM39081				
1	Harness, wiring	GM67334				
1	Switch, 3-position selector	GM39076				
1	Meter, digital		GM67193	GM67193	GM67192	GM67192
—	Current transformer (1000:5)		291546 (2)	291546 (3)	291546 (2)	291546 (3)
1	Transformer		GM40071	GM40071		
2	Guard, terminal		GM46368	GM46368		
1	Installation instructions	TT-1606				

Kits: GM67267-KA33(KP33) to GM67267-KA36(KP36)

Qty.	Description	Common Parts	Unique Parts			
			GM67267-KA33	GM67267-KA34	GM67267-KA35	GM67267-KA36
1	Door, enclosure	GM39082				
1	Harness, wiring	GM67334				
1	Switch, 3-position selector	GM39076				
1	Meter, digital		GM67193	GM67192	GM67193	GM67192
3	Current transformer (1500:5)		291547	291547		
3	Current transformer (2000:5)				291548	291548
1	Transformer		GM40071		GM40071	
2	Guard, terminal		GM46368		GM46368	
1	Installation instructions	TT-1606				

Kits: GM67267-KA37(KP37) to GM67267-KA40(KP40)

Qty.	Description	Common Parts	Unique Parts			
			GM67267-KA37	GM67267-KA38	GM67267-KA39	GM67267-KA40
1	Door, enclosure	GM39082	GM39082	GM39082	GM39084	GM39084
1	Harness, wiring	GM67334				
1	Switch, 3-position selector	GM39076				
1	Meter, digital		GM67193	GM67192	GM67193	GM67192
3	Current transformer (3000:5)		297675	297675		
3	Current transformer (4000:5)				297676	297676
1	Transformer		GM40071		GM40071	
2	Guard, terminal		GM46368		GM46368	
1	Installation instructions	TT-1606				

Accessories, continued

Power Meter, Digital , continued

Kits: GM67268-KA1 to GM67268-KA4

Qty.	Description	Common Parts	Unique Parts			
			GM67268-KA1	GM67268-KA2	GM67268-KA3	GM67268-KA4
1	Harness, wiring	GM67334				
1	Switch, 3-position selector	GM39076				
1	Plate, digital meter mtg.	GM46813				
1	Meter, digital		GM67193	GM67193	GM67192	GM67192
—	Current transformer (150:5)		246886 (2)	246886 (3)	246886 (2)	246886 (3)
1	Transformer		GM40071	GM40071		
2	Guard, terminal		GM46368	GM46368		
1	Installation instructions	TT-1506				

Kits: GM67268-KA5 to GM67268-KA8

Qty.	Description	Common Parts	Unique Parts			
			GM67268-KA5	GM67268-KA6	GM67268-KA7	GM67268-KA8
1	Harness, wiring	GM67334				
1	Switch, 3-position selector	GM39076				
1	Plate, digital meter mtg.	GM46813				
1	Meter, digital		GM67193	GM67193	GM67192	GM67192
—	Current transformer (400:5)		248874 (2)	248874 (3)	248874 (2)	248874 (3)
1	Transformer		GM40071	GM40071		
2	Guard, terminal		GM46368	GM46368		
1	Installation instructions	TT-1506				

Kits: GM67268-KA9 to GM67268-KA12

Qty.	Description	Common Parts	Unique Parts			
			GM67268-KA9	GM67268-KA10	GM67268-KA11	GM67268-KA12
1	Harness, wiring	GM67334				
1	Switch, 3-position selector	GM39076				
1	Plate, digital meter mtg.	GM46813				
1	Meter, digital		GM67193	GM67193	GM67192	GM67192
—	Current transformer (1000:5)		291546 (2)	291546 (3)	291546 (2)	291546 (3)
1	Transformer		GM40071	GM40071		
2	Guard, terminal		GM46368	GM46368		
1	Installation instructions	TT-1506				

Kits: GM67268-KA13 to GM67268-KA16

Qty.	Description	Common Parts	Unique Parts			
			GM67268-KA13	GM67268-KA14	GM67268-KA15	GM67268-KA16
1	Harness, wiring	GM67334				
1	Switch, 3-position selector	GM39076				
1	Plate, digital meter mtg.	GM46813				
1	Meter, digital		GM67193	GM67192	GM67193	GM67192
3	Current transformer (1500:5)		291547	291547		
3	Current transformer (2000:5)				291548	291548
1	Transformer		GM40071		GM40071	
2	Guard, terminal		GM46368		GM46368	
1	Installation instructions	TT-1506				

Kits: GM67268-KA17 to GM67268-KA20

Qty.	Description	Common Parts	Unique Parts			
			GM67268-KA17	GM67268-KA18	GM67268-KA19	GM67268-KA20
1	Harness, wiring	GM67334				
1	Switch, 3-position selector	GM39076				
1	Plate, digital meter mtg.	GM46813				
1	Meter, digital		GM67193	GM67192	GM67193	GM67192
3	Current transformer (3000:5)		297675	297675		
3	Current transformer (4000:5)				297676	297676
1	Transformer		GM40071		GM40071	
2	Guard, terminal		GM46368		GM46368	
1	Installation instructions	TT-1506				

Accessories, continued

Power Meter, Digital , continued

Kits: GM67269-KA1 to GM67269-KA4

Qty.	Description	Common Parts	Unique Parts			
			GM67269-KA1	GM67269-KA2	GM67269-KA3	GM67269-KA4
1	Harness, wiring	GM67399				
1	Switch, 3-position selector	GM39076				
1	Plate, digital meter mtg.	GM46813				
1	Meter, digital		GM67193	GM67193	GM67192	GM67192
—	Current transformer (150:5)		246886 (2)	246886 (3)	246886 (2)	246886 (3)
1	Transformer		GM40071	GM40071		
2	Guard, terminal		GM46368	GM46368		
1	Installation instructions	TT-1506				

Kits: GM67269-KA5 to GM67269-KA8

Qty.	Description	Common Parts	Unique Parts			
			GM67269-KA5	GM67269-KA6	GM67269-KA7	GM67269-KA8
1	Harness, wiring	GM67399				
1	Switch, 3-position selector	GM39076				
1	Plate, digital meter mtg.	GM46813				
1	Meter, digital		GM67193	GM67193	GM67192	GM67192
—	Current transformer (400:5)		248874 (2)	248874 (3)	248874 (2)	248874 (3)
1	Transformer		GM40071	GM40071		
2	Guard, terminal		GM46368	GM46368		
1	Installation instructions	TT-1506				

Kits: GM67269-KA9 to GM67269-KA12

Qty.	Description	Common Parts	Unique Parts			
			GM67269-KA9	GM67269-KA10	GM67269-KA11	GM67269-KA12
1	Harness, wiring	GM67334				
1	Switch, 3-position selector	GM39076				
1	Plate, digital meter mtg.	GM46813				
1	Meter, digital		GM67193	GM67193	GM67192	GM67192
—	Current transformer (1000:5)		291546 (2)	291546 (3)	291546 (2)	291546 (3)
1	Transformer		GM40071	GM40071		
2	Guard, terminal		GM46368	GM46368		
1	Installation instructions	TT-1506				

Kits: GM67269-KA13 to GM67269-KA16

Qty.	Description	Common Parts	Unique Parts			
			GM67269-KA13	GM67269-KA14	GM67269-KA15	GM67269-KA16
1	Harness, wiring	GM67334				
1	Switch, 3-position selector	GM39076				
1	Plate, digital meter mtg.	GM46813				
1	Meter, digital		GM67193	GM67193	GM67192	GM67192
—	Current transformer (1500:5)		291547 (2)	291547 (3)	291547 (2)	291547 (3)
1	Transformer		GM40071	GM40071		
2	Guard, terminal		GM46368	GM46368		
1	Installation instructions	TT-1506				

Kits: GM67269-KA17 to GM67269-KA20

Qty.	Description	Common Parts	Unique Parts			
			GM67269-KA17	GM67269-KA18	GM67269-KA19	GM67269-KA20
1	Harness, wiring	GM67334				
1	Switch, 3-position selector	GM39076				
1	Plate, digital meter mtg.	GM46813				
1	Meter, digital		GM67193	GM67193	GM67192	GM67192
—	Current transformer (2000:5)		291548 (2)	291548 (3)	291548 (2)	291548 (3)
1	Transformer		GM40071	GM40071		
2	Guard, terminal		GM46368	GM46368		
1	Installation instructions	TT-1506				

Accessories, continued

Power Meter, Digital , continued

Kits: GM67269-KA21 to GM67269-KA24

Qty.	Description	Common Parts	Unique Parts			
			GM67269-KA21	GM67269-KA22	GM67269-KA23	GM67269-KA24
1	Harness, wiring	GM67334				
1	Switch, 3-position selector	GM39076				
1	Plate, digital meter mtg.	GM46813				
1	Meter, digital		GM67193	GM67193	GM67192	GM67192
—	Current transformer (3000:5)		297675 (2)	297675 (3)	297675 (2)	297675 (3)
1	Transformer		GM40071	GM40071		
2	Guard, terminal		GM46368	GM46368		
1	Installation instructions	TT-1506				

Kits: GM92145-KA1 to GM92145-KA4

Qty.	Description	Common Parts	Unique Parts			
			GM92145-KA1	GM92145-KA2	GM92145-KA3	GM92145-KA4
1	Harness, wiring	GM67334				
1	Switch, 3-position selector	GM39076				
1	Meter, digital		GM67193	GM67193	GM67192	GM67192
—	Current transformer (150:5)		246886 (2)	246886 (3)	246886 (2)	246886 (3)
1	Transformer		GM40071	GM40071		
2	Guard, terminal		GM46368	GM46368		
1	Installation instructions	TT-1506				

Kits: GM92145-KA5 to GM92145-KA8

Qty.	Description	Common Parts	Unique Parts			
			GM92145-KA5	GM92145-KA6	GM92145-KA7	GM92145-KA8
1	Harness, wiring	GM67334				
1	Switch, 3-position selector	GM39076				
1	Plate, digital meter mtg.			GM46813	GM46813	GM46813
1	Meter, digital		GM67193	GM67193	GM67192	GM67192
—	Current transformer (400:5)		248874 (2)	248874 (3)	248874 (2)	248874 (3)
1	Transformer		GM40071	GM40071		
2	Guard, terminal		GM46368	GM46368		
1	Installation instructions	TT-1506				

Kits: GM92145-KA9 to GM92145-KA12

Qty.	Description	Common Parts	Unique Parts			
			GM92145-KA9	GM92145-KA10	GM92145-KA11	GM92145-KA12
1	Harness, wiring	GM67334				
1	Switch, 3-position selector	GM39076				
1	Plate, digital meter mtg.		GM46813			
1	Meter, digital		GM67193	GM67193	GM67192	GM67192
—	Current transformer (1000:5)		291546 (2)	291546 (3)	291546 (2)	291546 (3)
1	Transformer		GM40071	GM40071		
2	Guard, terminal		GM46368	GM46368		
1	Installation instructions	TT-1506				

Kits: GM92145-KA13 to GM92145-KA16

Qty.	Description	Common Parts	Unique Parts			
			GM92145-KA13	GM92145-KA14	GM92145-KA15	GM92145-KA16
1	Harness, wiring	GM67334				
1	Switch, 3-position selector	GM39076				
1	Meter, digital		GM67193	GM67192	GM67193	GM67192
3	Current transformer (1500:5)		291547	291547		
3	Current transformer (2000:5)				291548	291548
1	Transformer		GM40071		GM40071	
2	Guard, terminal		GM46368		GM46368	
1	Installation instructions	TT-1506				

Accessories, continued

Kits: GM92145-KA17 to GM92145-KA20

Qty.	Description	Common Parts	Unique Parts			
			GM92145-KA17	GM92145-KA18	GM92145-KA19	GM92145-KA20
1	Harness, wiring	GM67334				
1	Switch, 3-position selector	GM39076				
1	Meter, digital		GM67193	GM67192	GM67193	GM67192
3	Current transformer (3000:5)		297675	297675		
3	Current transformer (4000:5)				297676	297676
1	Transformer		GM40071		GM40071	
2	Guard, terminal		GM46368		GM46368	
1	Installation instructions	TT-1506				

Programmable Exerciser

GM47597-KA3

Qty.	Description	Part Number
1	Transformer	GM40071
1	Timer, Exercise, 120V	GM64027
1	Bracket, Exerciser	GM89060
1	Harness, Programmable Exerciser Leads	GM91325
1	TT Programmable Exerciser	TT-1403
1	Fuse block	X-6129-2
2	Fuse block	X-6129-9
2	Fuse, 1 A, 600 V	X-6135-1

Supervised Transfer Control Switch (for automatic operation) GM40807-KA1(KP1)

Qty.	Description	Part Number
1	Switch assembly, 3-position	GM20926
2	Key, switch assembly (included with GM20926)	—
1	Contact assembly (1 NO/1 NC contacts)	GM20929
1	Decal, supervised transfer control	GM21286
1	Harness, supervised transfer	GM40417
1	PCB assy., switch/alarm board	GM40764

Supervised Transfer Control Switch (for non-automatic or bypass operation) GM40807-KA2(KP2)

Qty.	Description	Part Number
1	Switch assembly, 3-position	GM20926
2	Key, switch assembly (included with GM20926)	—
1	Contact assembly (1 NO/1 NC contacts)	GM20929
1	Decal, supervised transfer control	GM21286
1	Harness, supervised transfer	GM40417
1	PCB assy., switch/alarm board	GM40764

Surge Protection

Kits: GM70493-KA1(KP1) to GM70493-KA4(KP4)

Qty.	Description	Common Parts	Unique Parts			
			GM70493-KA1	GM70493-KA2	GM70493-KA3	GM70493-KA4
1	Strip, terminal	223096				
1	Stop, end	321025				
1	Plate, Surge Protection Mtg.	GM70492				
1	Decal, TVSS	GM71140				
1	Breaker, 3 Pole	GM79472				
1	Rail, Din	GM79477				
1	Protector, surge		GM71339-1	GM71339-2	GM71339-3	GM71339-4

Accessories, continued

Surge Protection

Kits: GM70493-KA5(KP5) to GM70493-KA6(KP6)

Qty.	Description	Common Parts	Unique Parts	
			GM70493-KA5	GM70493-KA6
1	Strip, terminal	223096		
1	Stop, end	321025		
1	Plate, Surge Protection Mtg.	GM70492		
1	Decal, TVSS	GM71140		
1	Breaker, 3 Pole	GM79472		
1	Rail, Din	GM79477		
1	Protector, surge		GM71339-5	GM71339-6

Kits: GM89934-KA1 to GM89934-KA3

Qty.	Description	Common Parts	Unique Parts		
			GM70493-KA1	GM70493-KA2	GM70493-KA3
2	Stop, end	321025			
1	Rail, Din	GM47488			
1	Decal, SPD	GM84043			
1	Plate, Surge Protection Mtg	GM89933			
1	Holder, Fuse		X-6129-30	X-6129-28	X-6129-29
1	Fuse, 30 A, 600 V		X-6135-13	X-6135-13 (2)	X-6135-13 (3)
1					

Kits: GM89934-KA4 to GM89934-KA5

Qty.	Description	Common Parts	Unique Parts	
			GM70493-KA4	GM70493-KA5
2	Stop, end	321025		
1	Rail, Din	GM47488		
1	Decal, SPD	GM84043		
1	Plate, Surge Protection Mtg	GM89933		
1	Holder, Fuse		X-6129-29	X-6129-29
1	Fuse, 30 A, 600 V		X-6135-13 (3)	X-6135-13 (3)
1				

Surge Protection Connection

Kits: GM71340-KA3 to GM71340-KA5

Qty.	Description	Common Parts	Unique Parts		
			GM71340-KA3	GM71340-KA4	GM71340-KA5
3	Lead		LW-1084-1700		
3	Lead			LW-1036-1200	
3	Lead				LW-1036-1400

Accessories, continued

Alarm Module GM40808-KA1(KP1)

Qty.	Description	Part Number
1	PCB assy., switch/alarm board	GM40764
1	TT Accessory Modules, Model K1/S1, ATS	TT-1449

See Note.

Note: Module requires a mounting assembly. When module(s) are ordered as a loose accessory, a mounting assembly (GM46258-KP1) must be ordered.

Alarm Module GM41056-KA1

Qty.	Description	Part Number
1	PCB assembly, switch/alarm board	GM40764

User Interface Covers with Padlock

Kits: GM22703-KA1(KP1) to GM22703-KA5(KP5)

Qty.	Description	Common Parts	Unique Parts		
			GM22703-KA1	GM22703-KA3	GM22703-KA5
-	Bracket, padlock		GM57166 (2)	GM57166 (1)	GM57166 (2)
1	Assy, Security Cover	GM89254			
1	Bracket, latch	GM22533			
1	Latch, compression	GM57165			
1	Key, compression latch	GM51993			
6	Nut, 10-32	X-6210-1			
	Installation Instructions	TT-1319			

Appendix A Abbreviations

The following list contains abbreviations that may appear in this publication.

A, amp	ampere	cfm	cubic feet per minute	est.	estimated
ABDC	after bottom dead center	CG	center of gravity	E-Stop	emergency stop
AC	alternating current	CID	cubic inch displacement	etc.	et cetera (and so forth)
A/D	analog to digital	CL	centerline	exh.	exhaust
ADC	advanced digital control; analog to digital converter	cm	centimeter	ext.	external
adj.	adjust, adjustment	CMOS	complementary metal oxide substrate (semiconductor)	F	Fahrenheit, female
ADV	advertising dimensional drawing	cogen.	cogeneration	fglass.	fiberglass
Ah	amp-hour	com	communications (port)	FHM	flat head machine (screw)
AHWT	anticipatory high water temperature	coml	commercial	fl. oz.	fluid ounce
AISI	American Iron and Steel Institute	conn.	connection	flex.	flexible
ALOP	anticipatory low oil pressure	Coml/Rec	Commercial/Recreational	freq.	frequency
alt.	alternator	cont.	continued	FS	full scale
Al	aluminum	CPVC	chlorinated polyvinyl chloride	ft.	foot, feet
ANSI	American National Standards Institute (formerly American Standards Association, ASA)	crit.	critical	ft. lb.	foot pounds (torque)
AO	anticipatory only	CRT	cathode ray tube	ft./min.	feet per minute
APDC	Air Pollution Control District	CSA	Canadian Standards Association	ftp	file transfer protocol
API	American Petroleum Institute	CT	current transformer	g	gram
approx.	approximate, approximately	Cu	copper	ga.	gauge (meters, wire size)
AQMD	Air Quality Management District	cUL	Canadian Underwriter's Laboratories	gal.	gallon
AR	as required, as requested	CUL	Canadian Underwriter's Laboratories	gen.	generator
AS	as supplied, as stated, as suggested	cu. in.	cubic inch	genset	generator set
ASE	American Society of Engineers	cw.	clockwise	GFI	ground fault interrupter
ASME	American Society of Mechanical Engineers	CWC	city water-cooled	GND, ⊕	ground
assy.	assembly	cyl.	cylinder	gov.	governor
ASTM	American Society for Testing Materials	D/A	digital to analog	gph	gallons per hour
ATDC	after top dead center	DAC	digital to analog converter	gpm	gallons per minute
ATS	automatic transfer switch	dB	decibel	gr.	grade, gross
auto.	automatic	dB(A)	decibel (A weighted)	GRD	equipment ground
aux.	auxiliary	DC	direct current	gr. wt.	gross weight
avg.	average	DCR	direct current resistance	H x W x D	height by width by depth
AVR	automatic voltage regulator	deg., °	degree	HC	hex cap
AWG	American Wire Gauge	dept.	department	HCHT	high cylinder head temperature
AWM	appliance wiring material	DFMEA	Design Failure Mode and Effects Analysis	HD	heavy duty
bat.	battery	dia.	diameter	HET	high exhaust temp., high engine temp.
BBDC	before bottom dead center	DI/EO	dual inlet/end outlet	hex	hexagon
BC	battery charger, battery charging	DIN	Deutsches Institut fur Normung e. V. (also Deutsche Industrie Normenausschuss)	Hg	mercury (element)
BCA	battery charging alternator	DIP	dual inline package	HH	hex head
BCI	Battery Council International	DPDT	double-pole, double-throw	HHC	hex head cap
BDC	before dead center	DPST	double-pole, single-throw	HP	horsepower
BHP	brake horsepower	DS	disconnect switch	hr.	hour
blk.	black (paint color), block (engine)	DVR	digital voltage regulator	HS	heat shrink
blk. htr.	block heater	E, emer.	emergency (power source)	hsg.	housing
BMEP	brake mean effective pressure	ECM	electronic control module, engine control module	HVAC	heating, ventilation, and air conditioning
bps	bits per second	EDI	electronic data interchange	HWT	high water temperature
br.	brass	EFR	emergency frequency relay	Hz	hertz (cycles per second)
BTDC	before top dead center	e.g.	for example (<i>exempli gratia</i>)	IC	integrated circuit
Btu	British thermal unit	EG	electronic governor	ID	inside diameter, identification
Btu/min.	British thermal units per minute	EGSA	Electrical Generating Systems Association	IEC	International Electrotechnical Commission
C	Celsius, centigrade	EIA	Electronic Industries Association	IEEE	Institute of Electrical and Electronics Engineers
cal.	calorie	EI/EO	end inlet/end outlet	IMS	improved motor starting
CAN	controller area network	EMI	electromagnetic interference	in.	inch
CARB	California Air Resources Board	emiss.	emission	in. H ₂ O	inches of water
CB	circuit breaker	eng.	engine	in. Hg	inches of mercury
cc	cubic centimeter	EPA	Environmental Protection Agency	in. lb.	inch pounds
CCA	cold cranking amps	EPS	emergency power system	Inc.	incorporated
ccw.	counterclockwise	ER	emergency relay	ind.	industrial
CEC	Canadian Electrical Code	ES	engineering special, engineered special	int.	internal
cert.	certificate, certification, certified	ESD	electrostatic discharge	int./ext.	internal/external
cfh	cubic feet per hour			I/O	input/output
				IP	iron pipe
				ISO	International Organization for Standardization
				J	joule
				JIS	Japanese Industry Standard

k	kilo (1000)	mtg.	mounting	ROM	read only memory
K	kelvin	MTU	Motoren-und Turbinen-Union	rot.	rotate, rotating
kA	kiloampere	MW	megawatt	rpm	revolutions per minute
KB	kilobyte (2 ¹⁰ bytes)	mW	milliwatt	RS	right side
KBus	Kohler communication protocol	μF	microfarad	RTU	remote terminal unit
kg	kilogram	N, norm.	normal (power source)	RTV	room temperature vulcanization
kg/cm ²	kilograms per square centimeter	NA	not available, not applicable	RW	read/write
kgm	kilogram-meter	nat. gas	natural gas	SAE	Society of Automotive Engineers
kg/m ³	kilograms per cubic meter	NBS	National Bureau of Standards	scfm	standard cubic feet per minute
kHz	kilohertz	NC	normally closed	SCR	silicon controlled rectifier
kJ	kilojoule	NEC	National Electrical Code	s, sec.	second
km	kilometer	NEMA	National Electrical Manufacturers Association	SI	<i>Systeme internationale d'unites</i> , International System of Units
kOhm, kΩ	kilo-ohm	NFPA	National Fire Protection Association	SI/EO	side in/end out
kPa	kilopascal	Nm	newton meter	sil.	silencer
kph	kilometers per hour	NO	normally open	SN	serial number
kV	kilovolt	no., nos.	number, numbers	SNMP	simple network management protocol
kVA	kilovolt ampere	NPS	National Pipe, Straight	SPDT	single-pole, double-throw
kVAR	kilovolt ampere reactive	NPSC	National Pipe, Straight-coupling	SPST	single-pole, single-throw
kW	kilowatt	NPT	National Standard taper pipe thread per general use	spec	specification
kWh	kilowatt-hour	NPTF	National Pipe, Taper-Fine	specs	specification(s)
kWm	kilowatt mechanical	NR	not required, normal relay	sq.	square
kWth	kilowatt-thermal	ns	nanosecond	sq. cm	square centimeter
L	liter	OC	overcrank	sq. in.	square inch
LAN	local area network	OD	outside diameter	SS	stainless steel
L x W x H	length by width by height	OEM	original equipment manufacturer	std.	standard
lb.	pound, pounds	OF	overfrequency	stl.	steel
lbm/ft ³	pounds mass per cubic feet	opt.	option, optional	tach.	tachometer
LCB	line circuit breaker	OS	oversize, overspeed	TD	time delay
LCD	liquid crystal display	OSHA	Occupational Safety and Health Administration	TDC	top dead center
ld. shd.	load shed	OV	overvoltage	TDEC	time delay engine cooldown
LED	light emitting diode	oz.	ounce	TDEN	time delay emergency to normal
Lph	liters per hour	p., pp.	page, pages	TDES	time delay engine start
Lpm	liters per minute	PC	personal computer	TDNE	time delay normal to emergency
LOP	low oil pressure	PCB	printed circuit board	TDOE	time delay off to emergency
LP	liquefied petroleum	pF	picofarad	TDON	time delay off to normal
LPG	liquefied petroleum gas	PF	power factor	temp.	temperature
LS	left side	ph., ∅	phase	term.	terminal
L _{wa}	sound power level, A weighted	PHC	Phillips® head CrimpTite® (screw)	THD	total harmonic distortion
LWL	low water level	PHH	Phillips® hex head (screw)	TIF	telephone influence factor
LWT	low water temperature	PHM	pan head machine (screw)	TIR	total indicator reading
m	meter, milli (1/1000)	PLC	programmable logic control	tol.	tolerance
M	mega (10 ⁶ when used with SI units), male	PMG	permanent magnet generator	turbo.	turbocharger
m ³	cubic meter	pot	potentiometer, potential	typ.	typical (same in multiple locations)
m ³ /hr.	cubic meters per hour	ppm	parts per million	UF	underfrequency
m ³ /min.	cubic meters per minute	PROM	programmable read-only memory	UHF	ultrahigh frequency
mA	milliampere	psi	pounds per square inch	UL	Underwriter's Laboratories, Inc.
man.	manual	psig	pounds per square inch gauge	UNC	unified coarse thread (was NC)
max.	maximum	pt.	pint	UNF	unified fine thread (was NF)
MB	megabyte (2 ²⁰ bytes)	PTC	positive temperature coefficient	univ.	universal
MCCB	molded-case circuit breaker	PTO	power takeoff	US	undersize, underspeed
MCM	one thousand circular mils	PVC	polyvinyl chloride	UV	ultraviolet, undervoltage
meggar	megohmmeter	qt.	quart, quarts	V	volt
MHz	megahertz	qty.	quantity	VAC	volts alternating current
mi.	mile	R	replacement (emergency) power source	VAR	voltampere reactive
mil	one one-thousandth of an inch	rad.	radiator, radius	VDC	volts direct current
min.	minimum, minute	RAM	random access memory	VFD	vacuum fluorescent display
misc.	miscellaneous	RDO	relay driver output	VGA	video graphics adapter
MJ	megajoule	ref.	reference	VHF	very high frequency
mJ	millijoule	rem.	remote	W	watt
mm	millimeter	Res/Coml	Residential/Commercial	WCR	withstand and closing rating
mOhm, mΩ	milliohm	RFI	radio frequency interference	w/	with
MOhm, MΩ	megohm	RH	round head	w/o	without
MOV	metal oxide varistor	RHM	round head machine (screw)	wt.	weight
MPa	megapascal	rly.	relay	xfmr	transformer
mpg	miles per gallon	rms	root mean square		
mph	miles per hour	rnd.	round		
MS	military standard				
ms	millisecond				
m/sec.	meters per second				
MTBF	mean time between failure				
MTBO	mean time between overhauls				

Appendix B Common Hardware Application Guidelines

Use the information below and on the following pages to identify proper fastening techniques when no specific reference for reassembly is made.

Bolt/Screw Length: When bolt/screw length is not given, use Figure 1 as a guide. As a general rule, a minimum length of one thread beyond the nut and a maximum length of 1/2 the bolt/screw diameter beyond the nut is the preferred method.

Washers and Nuts: Use split lock washers as a bolt locking device where specified. Use SAE flat washers with whiz nuts, spirallock nuts, or standard nuts and preloading (torque) of the bolt in all other applications.

See Appendix C, General Torque Specifications, and other torque specifications in the service literature.

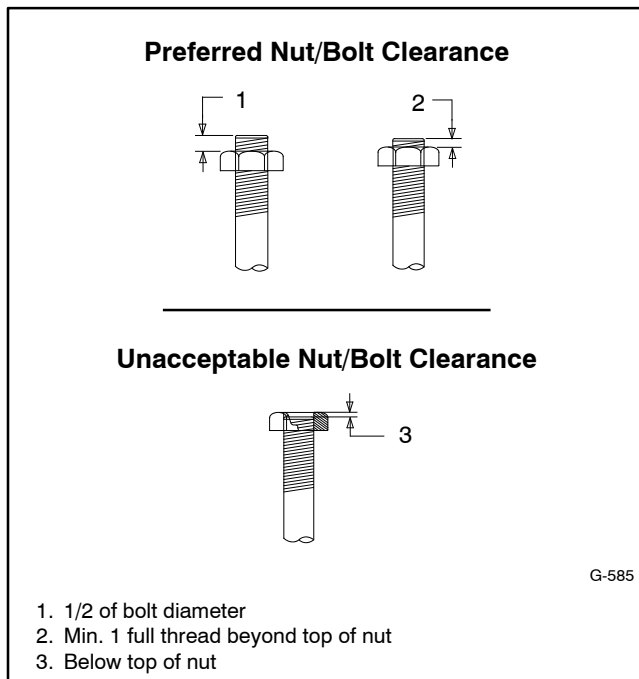


Figure 1 Acceptable Bolt Lengths

Steps for common hardware application:

1. Determine entry hole type: round or slotted.
2. Determine exit hole type: fixed female thread (weld nut), round, or slotted.

For round and slotted exit holes, determine if hardware is greater than 1/2 inch in diameter, or 1/2 inch in diameter or less. Hardware that is *greater than 1/2 inch* in diameter takes a standard nut and SAE washer. Hardware *1/2 inch or less* in diameter can take a properly torqued whiz nut or spirallock nut. See Figure 2.

3. Follow these SAE washer rules after determining exit hole type:
 - a. Always use a washer between hardware and a slot.
 - b. Always use a washer under a nut (see 2 above for exception).
 - c. Use a washer under a bolt when the female thread is fixed (weld nut).
4. Refer to Figure 2, which depicts the preceding hardware configuration possibilities.

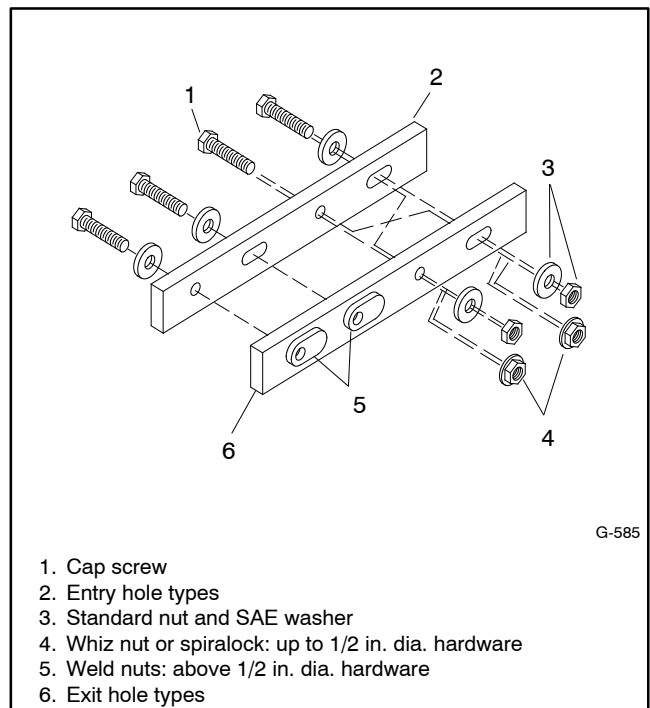


Figure 2 Acceptable Hardware Combinations

Appendix C General Torque Specifications










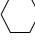




American Standard Fasteners Torque Specifications					
Size	Torque Measurement	Assembled into Cast Iron or Steel			Assembled into Aluminum Grade 2 or 5
		Grade 2	Grade 5	Grade 8	
8-32	Nm (in. lb.)	1.8 (16)	2.3 (20)	—	See Note 3
10-24	Nm (in. lb.)	2.9 (26)	3.6 (32)	—	
10-32	Nm (in. lb.)	2.9 (26)	3.6 (32)	—	
1/4-20	Nm (in. lb.)	6.8 (60)	10.8 (96)	14.9 (132)	
1/4-28	Nm (in. lb.)	8.1 (72)	12.2 (108)	16.3 (144)	
5/16-18	Nm (in. lb.)	13.6 (120)	21.7 (192)	29.8 (264)	
5/16-24	Nm (in. lb.)	14.9 (132)	23.1 (204)	32.5 (288)	
3/8-16	Nm (ft. lb.)	24.0 (18)	38.0 (28)	53.0 (39)	
3/8-24	Nm (ft. lb.)	27.0 (20)	42.0 (31)	60.0 (44)	
7/16-14	Nm (ft. lb.)	39.0 (29)	60.0 (44)	85.0 (63)	
7/16-20	Nm (ft. lb.)	43.0 (32)	68.0 (50)	95.0 (70)	
1/2-13	Nm (ft. lb.)	60.0 (44)	92.0 (68)	130.0 (96)	
1/2-20	Nm (ft. lb.)	66.0 (49)	103.0 (76)	146.0 (108)	
9/16-12	Nm (ft. lb.)	81.0 (60)	133.0 (98)	187.0 (138)	
9/16-18	Nm (ft. lb.)	91.0 (67)	148.0 (109)	209.0 (154)	
5/8-11	Nm (ft. lb.)	113.0 (83)	183.0 (135)	259.0 (191)	
5/8-18	Nm (ft. lb.)	128.0 (94)	208.0 (153)	293.0 (216)	
3/4-10	Nm (ft. lb.)	199.0 (147)	325.0 (240)	458.0 (338)	
3/4-16	Nm (ft. lb.)	222.0 (164)	363.0 (268)	513.0 (378)	
1-8	Nm (ft. lb.)	259.0 (191)	721.0 (532)	1109.0 (818)	
1-12	Nm (ft. lb.)	283.0 (209)	789.0 (582)	1214.0 (895)	












Metric Fasteners Torque Specifications, Measured in Nm (ft. lb.)				
Size (mm)	Assembled into Cast Iron or Steel			Assembled into Aluminum Grade 5.8 or 8.8
	Grade 5.8	Grade 8.8	Grade 10.9	
M6 x 1.00	6.2 (4.6)	9.5 (7)	13.6 (10)	See Note 3
M8 x 1.25	15.0 (11)	23.0 (17)	33.0 (24)	
M8 x 1.00	16.0 (11)	24.0 (18)	34.0 (25)	
M10 x 1.50	30.0 (22)	45.0 (34)	65.0 (48)	
M10 x 1.25	31.0 (23)	47.0 (35)	68.0 (50)	
M12 x 1.75	53.0 (39)	80.0 (59)	115.0 (85)	
M12 x 1.50	56.0 (41)	85.0 (63)	122.0 (90)	
M14 x 2.00	83.0 (61)	126.0 (93)	180.0 (133)	
M14 x 1.50	87.0 (64)	133.0 (98)	190.0 (140)	
M16 x 2.00	127.0 (94)	194.0 (143)	278.0 (205)	
M16 x 1.50	132.0 (97)	201.0 (148)	287.0 (212)	
M18 x 2.50	179.0 (132)	273.0 (201)	390.0 (288)	
M18 x 1.50	189.0 (140)	289.0 (213)	413.0 (305)	





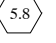
Notes:

1. The torque values above are general guidelines. Always use the torque values specified in the service manuals and/or assembly drawings when they differ from the above torque values.
2. The torque values above are based on new plated threads. Increase torque values by 15% if non-plated threads are used.
3. Hardware threaded into aluminum must have either two diameters of thread engagement or a 30% or more reduction in the torque to prevent stripped threads.
4. Torque values are calculated as equivalent stress loading on American hardware with an approximate preload of 90% of the yield strength and a friction coefficient of 0.125.

Appendix D Common Hardware Identification

Screw/Bolts/Studs	
Head Styles	
Hex Head or Machine Head	
Hex Head or Machine Head with Washer	
Flat Head (FHM)	
Round Head (RHM)	
Pan Head	
Hex Socket Head Cap or Allen™ Head Cap	
Hex Socket Head or Allen™ Head Shoulder Bolt	
Sheet Metal Screw	
Stud	
Drive Styles	
Hex	
Hex and Slotted	
Phillips®	
Slotted	
Hex Socket	

Nuts	
Nut Styles	
Hex Head	
Lock or Elastic	
Square	
Cap or Acorn	
Wing	
Washers	
Washer Styles	
Plain	
Split Lock or Spring	
Spring or Wave	
External Tooth Lock	
Internal Tooth Lock	
Internal-External Tooth Lock	

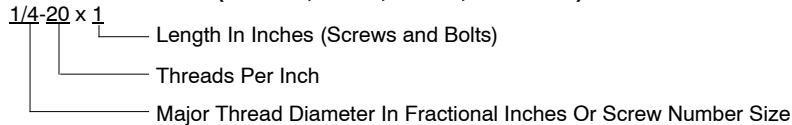
Hardness Grades	
American Standard	
Grade 2	
Grade 5	
Grade 8	
Grade 8/9 (Hex Socket Head)	
Metric	
Number stamped on hardware; 5.8 shown	

Allen™ head screw is a trademark of Holo-Krome Co.

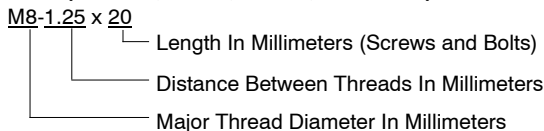
Phillips® screw is a registered trademark of Phillips Screw Company.

Sample Dimensions

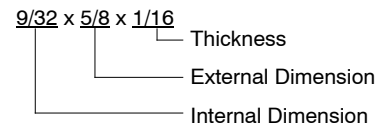
American Standard (Screws, Bolts, Studs, and Nuts)



Metric (Screws, Bolts, Studs, and Nuts)



Plain Washers



Lock Washers



Appendix E Common Hardware List

The Common Hardware List lists part numbers and dimensions for common hardware items.

American Standard

Part No. Dimensions Hex Head Bolts (Grade 5)

X-465-17	1/4-20 x .38
X-465-6	1/4-20 x .50
X-465-2	1/4-20 x .62
X-465-16	1/4-20 x .75
X-465-18	1/4-20 x .88
X-465-7	1/4-20 x 1.00
X-465-8	1/4-20 x 1.25
X-465-9	1/4-20 x 1.50
X-465-10	1/4-20 x 1.75
X-465-11	1/4-20 x 2.00
X-465-12	1/4-20 x 2.25
X-465-14	1/4-20 x 2.75
X-465-21	1/4-20 x 5.00
X-465-25	1/4-28 x .38
X-465-20	1/4-28 x 1.00
X-125-33	5/16-18 x .50
X-125-23	5/16-18 x .62
X-125-3	5/16-18 x .75
X-125-31	5/16-18 x .88
X-125-5	5/16-18 x 1.00
X-125-24	5/16-18 x 1.25
X-125-34	5/16-18 x 1.50
X-125-25	5/16-18 x 1.75
X-125-26	5/16-18 x 2.00
230578	5/16-18 x 2.25
X-125-29	5/16-18 x 2.50
X-125-27	5/16-18 x 2.75
X-125-28	5/16-18 x 3.00
X-125-22	5/16-18 x 4.50
X-125-32	5/16-18 x 5.00
X-125-35	5/16-18 x 5.50
X-125-36	5/16-18 x 6.00
X-125-40	5/16-18 x 6.50
X-125-43	5/16-24 x 1.75
X-125-44	5/16-24 x 2.50
X-125-30	5/16-24 x .75
X-125-39	5/16-24 x 2.00
X-125-38	5/16-24 x 2.75
X-6238-2	3/8-16 x .62
X-6238-10	3/8-16 x .75
X-6238-3	3/8-16 x .88
X-6238-11	3/8-16 x 1.00
X-6238-4	3/8-16 x 1.25
X-6238-5	3/8-16 x 1.50
X-6238-1	3/8-16 x 1.75
X-6238-6	3/8-16 x 2.00
X-6238-17	3/8-16 x 2.25
X-6238-7	3/8-16 x 2.50
X-6238-8	3/8-16 x 2.75
X-6238-9	3/8-16 x 3.00
X-6238-19	3/8-16 x 3.25
X-6238-12	3/8-16 x 3.50
X-6238-20	3/8-16 x 3.75
X-6238-13	3/8-16 x 4.50
X-6238-18	3/8-16 x 5.50
X-6238-25	3/8-16 x 6.50

Part No. Dimensions Hex Head Bolts, cont.

X-6238-14	3/8-24 x .75
X-6238-16	3/8-24 x 1.25
X-6238-21	3/8-24 x 4.00
X-6238-22	3/8-24 x 4.50
X-6024-5	7/16-14 x .75
X-6024-2	7/16-14 x 1.00
X-6024-8	7/16-14 x 1.25
X-6024-3	7/16-14 x 1.50
X-6024-4	7/16-14 x 2.00
X-6024-11	7/16-14 x 2.75
X-6024-12	7/16-14 x 6.50
X-129-15	1/2-13 x .75
X-129-17	1/2-13 x 1.00
X-129-18	1/2-13 x 1.25
X-129-19	1/2-13 x 1.50
X-129-20	1/2-13 x 1.75
X-129-21	1/2-13 x 2.00
X-129-22	1/2-13 x 2.25
X-129-23	1/2-13 x 2.50
X-129-24	1/2-13 x 2.75
X-129-25	1/2-13 x 3.00
X-129-27	1/2-13 x 3.50
X-129-29	1/2-13 x 4.00
X-129-30	1/2-13 x 4.50
X-463-9	1/2-13 x 5.50
X-129-44	1/2-13 x 6.00
X-129-51	1/2-20 x .75
X-129-45	1/2-20 x 1.25
X-129-52	1/2-20 x 1.50
X-6021-3	5/8-11 x 1.00
X-6021-4	5/8-11 x 1.25
X-6021-2	5/8-11 x 1.50
X-6021-1	5/8-11 x 1.75
273049	5/8-11 x 2.00
X-6021-5	5/8-11 x 2.25
X-6021-6	5/8-11 x 2.50
X-6021-7	5/8-11 x 2.75
X-6021-12	5/8-11 x 3.75
X-6021-11	5/8-11 x 4.50
X-6021-10	5/8-11 x 6.00
X-6021-9	5/8-18 x 2.50
X-6239-1	3/4-10 x 1.00
X-6239-8	3/4-10 x 1.25
X-6239-2	3/4-10 x 1.50
X-6239-3	3/4-10 x 2.00
X-6239-4	3/4-10 x 2.50
X-6239-5	3/4-10 x 3.00
X-6239-6	3/4-10 x 3.50
X-792-1	1-8 x 2.25
X-792-5	1-8 x 3.00
X-792-8	1-8 x 5.00

Part No. Dimensions Type

Hex Nuts

X-6009-1	1-8	Standard
X-6210-3	6-32	Whiz
X-6210-4	8-32	Whiz
X-6210-5	10-24	Whiz
X-6210-1	10-32	Whiz
X-6210-2	1/4-20	Spirallock
X-6210-6	1/4-28	Spirallock
X-6210-7	5/16-18	Spirallock
X-6210-8	5/16-24	Spirallock
X-6210-9	3/8-16	Spirallock
X-6210-10	3/8-24	Spirallock
X-6210-11	7/16-14	Spirallock
X-6210-12	1/2-13	Spirallock
X-6210-15	7/16-20	Spirallock
X-6210-14	1/2-20	Spirallock
X-85-3	5/8-11	Standard
X-88-12	3/4-10	Standard
X-89-2	1/2-20	Standard

Washers

Part No.	ID	OD	Thick.	Bolt/ Screw
X-25-46	.125	.250	.022	#4
X-25-9	.156	.375	.049	#6
X-25-48	.188	.438	.049	#8
X-25-36	.219	.500	.049	#10
X-25-40	.281	.625	.065	1/4
X-25-85	.344	.687	.065	5/16
X-25-37	.406	.812	.065	3/8
X-25-34	.469	.922	.065	7/16
X-25-26	.531	1.062	.095	1/2
X-25-15	.656	1.312	.095	5/8
X-25-29	.812	1.469	.134	3/4
X-25-127	1.062	2.000	.134	1

Metric

Hex head bolts are hardness grade 8.8 unless noted.

Part No.	Dimensions	Part No.	Dimensions	Part No.	Dimensions
Hex Head Bolts (Partial Thread)		Hex Head Bolts (Partial Thread), continued		Hex Head Bolts (Full Thread), continued	
M931-05055-60	M5-0.80 x 55	M960-16090-60	M16-1.50 x 90	M933-12016-60	M12-1.75 x 16
M931-06040-60	M6-1.00 x 40	M931-16090-60	M16-2.00 x 90	M933-12020-60	M12-1.75 x 20
M931-06055-60	M6-1.00 x 55	M931-16100-60	M16-2.00 x 100	M961-12020-60F	M12-1.50 x 20
M931-06060-60	M6-1.00 x 60	M931-16100-82	M16-2.00 x 100*	M933-12025-60	M12-1.75 x 25
M931-06060-SS	M6-1.00 x 60	M931-16120-60	M16-2.00 x 120	M933-12025-82	M12-1.75 x 25*
M931-06070-60	M6-1.00 x 70	M931-16150-60	M16-2.00 x 150	M961-12030-60	M12-1.25 x 30
M931-06070-SS	M6-1.00 x 70			M933-12030-82	M12-1.75 x 30*
M931-06075-60	M6-1.00 x 75	M931-20065-60	M20-2.50 x 65	M961-12030-82F	M12-1.50 x 30*
M931-06090-60	M6-1.00 x 90	M931-20090-60	M20-2.50 x 90	M933-12030-60	M12-1.75 x 30
M931-06145-60	M6-1.00 x 145	M931-20100-60	M20-2.50 x 100	M933-12035-60	M12-1.75 x 35
M931-06150-60	M6-1.00 x 150	M931-20120-60	M20-2.50 x 120	M961-12040-82	M12-1.25 x 40*
		M931-20140-60	M20-2.50 x 140	M933-12040-60	M12-1.75 x 40
M931-08035-60	M8-1.25 x 35	M931-20160-60	M20-2.50 x 160	M933-12040-82	M12-1.75 x 40*
M931-08040-60	M8-1.25 x 40				
M931-08045-60	M8-1.25 x 45	M931-22090-60	M22-2.50 x 90	M961-14025-60	M14-1.50 x 25
M931-08050-60	M8-1.25 x 50	M931-22120-60	M22-2.50 x 120	M933-14025-60	M14-2.00 x 25
M931-08055-60	M8-1.25 x 55	M931-22160-60	M22-2.50 x 160	M961-14050-82	M14-1.50 x 50*
M931-08055-82	M8-1.25 x 55*				
M931-08060-60	M8-1.25 x 60	M931-24090-60	M24-3.00 x 90	M961-16025-60	M16-1.50 x 25
M931-08070-60	M8-1.25 x 70	M931-24120-60	M24-3.00 x 120	M933-16025-60	M16-2.00 x 25
M931-08070-82	M8-1.25 x 70*	M931-24160-60	M24-3.00 x 160	M961-16030-82	M16-1.50 x 30*
M931-08075-60	M8-1.25 x 75	M931-24200-60	M24-3.00 x 200	M933-16030-82	M16-2.00 x 30*
M931-08080-60	M8-1.25 x 80			M933-16035-60	M16-2.00 x 35
M931-08090-60	M8-1.25 x 90	Hex Head Bolts (Full Thread)		M961-16040-60	M16-1.50 x 40
M931-08095-60	M8-1.25 x 95	M933-04006-60	M4-0.70 x 6	M933-16040-60	M16-2.00 x 40
M931-08100-60	M8-1.25 x 100			M961-16045-82	M16-1.50 x 45*
M931-08110-60	M8-1.25 x 110	M933-05030-60	M5-0.80 x 30	M933-16045-82	M16-2.00 x 45*
M931-08120-60	M8-1.25 x 120	M933-05035-60	M5-0.80 x 35	M933-16050-60	M16-2.00 x 50
M931-08130-60	M8-1.25 x 130	M933-05050-60	M5-0.80 x 50	M933-16050-82	M16-2.00 x 50*
M931-08140-60	M8-1.25 x 140			M933-16060-60	M16-2.00 x 60
M931-08150-60	M8-1.25 x 150	M933-06010-60	M6-1.00 x 10	M933-16070-60	M16-2.00 x 70
M931-08200-60	M8-1.25 x 200	M933-06012-60	M6-1.00 x 12		
		M933-06014-60	M6-1.00 x 14	M933-18035-60	M18-2.50 x 35
M931-10040-82	M10-1.25 x 40*	M933-06016-60	M6-1.00 x 16	M933-18050-60	M18-2.50 x 50
M931-10040-60	M10-1.50 x 40	M933-06020-60	M6-1.00 x 20	M933-18060-60	M18-2.50 x 60
M931-10045-60	M10-1.50 x 45	M933-06025-60	M6-1.00 x 25		
M931-10050-60	M10-1.50 x 50	M933-06030-60	M6-1.00 x 30	M933-20050-60	M20-2.50 x 50
M931-10050-82	M10-1.25 x 50*	M933-06040-60	M6-1.00 x 40	M933-20055-60	M20-2.50 x 55
M931-10055-60	M10-1.50 x 55	M933-06050-60	M6-1.00 x 50		
M931-10060-60	M10-1.50 x 60			M933-24060-60	M24-3.00 x 60
M931-10065-60	M10-1.50 x 65	M933-07025-60	M7-1.00 x 25	M933-24065-60	M24-3.00 x 65
M931-10070-60	M10-1.50 x 70			M933-24070-60	M24-3.00 x 70
M931-10080-60	M10-1.50 x 80	M933-08010-60	M8-1.25 x 10		
M931-10080-82	M10-1.25 x 80*	M933-08012-60	M8-1.25 x 12	Pan Head Machine Screws	
M931-10090-60	M10-1.50 x 90	M933-08016-60	M8-1.25 x 16	M7985A-03010-20	M3-0.50 x 10
M931-10090-82	M10-1.50 x 90*	M933-08020-60	M8-1.25 x 20	M7985A-03012-20	M3-0.50 x 12
M931-10100-60	M10-1.50 x 100	M933-08025-60	M8-1.25 x 25		
M931-10110-60	M10-1.50 x 110	M933-08030-60	M8-1.25 x 30	M7985A-04010-20	M4-0.70 x 10
M931-10120-60	M10-1.50 x 120	M933-08030-82	M8-1.25 x 30*	M7985A-04016-20	M4-0.70 x 16
M931-10130-60	M10-1.50 x 130			M7985A-04020-20	M4-0.70 x 20
M931-10140-60	M10-1.50 x 140	M933-10012-60	M10-1.50 x 12	M7985A-04050-20	M4-0.70 x 50
M931-10180-60	M10-1.50 x 180	M961-10020-60	M10-1.25 x 20	M7985A-04100-20	M4-0.70 x 100
M931-10235-60	M10-1.50 x 235	M933-10020-60	M10-1.50 x 20		
M931-10260-60	M10-1.50 x 260	M933-10025-60	M10-1.50 x 25	M7985A-05010-20	M5-0.80 x 10
M960-10330-60	M10-1.25 x 330	M961-10025-60	M10-1.25 x 25	M7985A-05012-20	M5-0.80 x 12
		M933-10025-82	M10-1.50 x 25*	M7985A-05016-20	M5-0.80 x 16
M931-12045-60	M12-1.75 x 45	M961-10030-60	M10-1.25 x 30	M7985A-05020-20	M5-0.80 x 20
M960-12050-60	M12-1.25 x 50	M933-10030-60	M10-1.50 x 30	M7985A-05025-20	M5-0.80 x 25
M960-12050-82	M12-1.25 x 50*	M933-10030-82	M10-1.50 x 30*	M7985A-05030-20	M5-0.80 x 30
M931-12050-60	M12-1.75 x 50	M961-10035-60	M10-1.25 x 35	M7985A-05080-20	M5-0.80 x 80
M931-12050-82	M12-1.75 x 50*	M933-10035-60	M10-1.50 x 35	M7985A-05100-20	M5-0.80 x 100
M931-12055-60	M12-1.75 x 55	M933-10035-82	M10-1.50 x 35*		
M931-12060-60	M12-1.75 x 60	M961-10040-60	M10-1.25 x 40	M7985A-06100-20	M6-1.00 x 100
M931-12060-82	M12-1.75 x 60*				
M931-12065-60	M12-1.75 x 65			Flat Head Machine Screws	
M931-12075-60	M12-1.75 x 75			M965A-04012-SS	M4-0.70 x 12
M931-12080-60	M12-1.75 x 80				
M931-12090-60	M12-1.75 x 90			M965A-05012-SS	M5-0.80 x 12
M931-12100-60	M12-1.75 x 100			M965A-05016-20	M5-0.80 x 16
M931-12110-60	M12-1.75 x 110			M965A-06012-20	M6-1.00 x 12

* This metric hex bolt's hardness is grade 10.9.

Metric, continued

Part No.	Dimensions	Type
Hex Nuts		
M934-03-50	M3-0.50	Standard
M934-04-50	M4-0.70	Standard
M934-04-B	M4-0.70	Brass
M934-05-50	M5-0.80	Standard
M934-06-60	M6-1.00	Standard
M934-06-64	M6-1.00	Std. (green)
M6923-06-80	M6-1.00	Spirallock
M982-06-80	M6-1.00	Elastic Stop
M934-08-60	M8-1.25	Standard
M6923-08-80	M8-1.25	Spirallock
M982-08-80	M8-1.25	Elastic Stop
M934-10-60	M10-1.50	Standard
M934-10-60F	M10-1.25	Standard
M6923-10-80	M10-1.50	Spirallock
M6923-10-62	M10-1.50	Spirallock†
M982-10-80	M10-1.50	Elastic Stop
M934-12-60	M12-1.75	Standard
M934-12-60F	M12-1.25	Standard
M6923-12-80	M12-1.75	Spirallock
M982-12-80	M12-1.75	Elastic Stop
M982-14-60	M14-2.00	Elastic Stop
M6923-16-80	M16-2.00	Spirallock
M982-16-80	M16-2.00	Elastic Stop
M934-18-80	M18-2.5	Standard
M982-18-60	M18-2.50	Elastic Stop
M934-20-80	M20-2.50	Standard
M982-20-80	M20-2.50	Elastic Stop
M934-22-60	M22-2.50	Standard
M934-24-80	M24-3.00	Standard
M982-24-60	M24-3.00	Elastic Stop
M934-30-80	M30-3.50	Standard

Washers

Part No.	ID	OD	Thick.	Bolt/ Screw
M125A-03-80	3.2	7.0	0.5	M3
M125A-04-80	4.3	9.0	0.8	M4
M125A-05-80	5.3	10.0	1.0	M5
M125A-06-80	6.4	12.0	1.6	M6
M125A-08-80	8.4	16.0	1.6	M8
M125A-10-80	10.5	20.0	2.0	M10
M125A-12-80	13.0	24.0	2.5	M12
M125A-14-80	15.0	28.0	2.5	M14
M125A-16-80	17.0	30.0	3.0	M16
M125A-18-80	19.0	34.0	3.0	M18
M125A-20-80	21.0	37.0	3.0	M20
M125A-24-80	25.0	44.0	4.0	M24

† This metric hex nut's hardness is grade 8.

Index

Listed below are part numbers and page numbers of modules listed in this manual. Italicized numbers refer to the page numbers on which modules appear.

GM21069-KA1, 35	GM22536-KA1, 31	GM46734-KA2, 13, 14	GM46746-KA1, 25
GM21069-KA2, 35	GM22537-KA1, 31	GM46734-KA3, 13, 14	GM46747-KA1, 25
GM21070-KA1, 40	GM22540-KA1, 31	GM46735-KA1, 13	GM46747-KA2, 25
GM21071-KA1, 40	GM26317-KA1, 40	GM46735-KA2, 13	GM46747-KA3, 25
GM21072-KA1, 23	GM28764-KA1, 35	GM46735-KA3, 13	GM46748-KA1, 25
GM21072-KA2, 23	GM46742-KA2, 17	GM46736-KA1, 13	GM46749-KA1, 29
GM21073-KA1, 27	GM29496-KA1, 41	GM46736-KA2, 13	GM46750-KA1, 29
GM21073-KA2, 27	GM46743-KA3, 15	GM46736-KA3, 13	GM48129-KA1, 8
GM21074-KA1, 27	GM29799-KA1, 43	GM46737-KA1, 14, 15	GM48130-KA1, 8
GM21074-KA2, 27	GM29904-KA1, 38	GM46737-KA2, 14, 15	GM48131-KA1, 8
GM21075-KA1, 27	GM29904-KA2, 38	GM46737-KA3, 14, 15	GM48923-KA1, 42
GM21076-KA1, 34	GM29904-KA3, 38	GM46738-KA1, 14, 15	GM48923-KA2, 42
GM21077-KA1, 34	GM29904-KA4, 38	GM46738-KA2, 14, 15	GM49013-KA1, 37
GM21078-KA1, 42	GM29904-KA5, 38	GM46738-KA3, 14, 15	GM49947-KA1, 11
GM21078-KA2, 42	GM29904-KA6, 38	GM46739-KA1, 14, 15	GM49947-KA2, 11
GM21078-KA3, 42	GM29904-KA7, 38	GM46739-KA2, 14, 15	GM49949-KA1, 19
GM21292-KA1, 35	GM29904-KA8, 38	GM46739-KA3, 14, 15	GM49949-KA2, 19
GM21292-KA2, 35	GM34924-KA1, 31	GM46740-KA1, 21	GM49949-KA3, 19
GM21293-KA1, 35	GM46257-MA1, 37	GM46740-KA2, 21	GM52015-KA1, 9
GM21293-KA2, 35	GM46257-MA3, 37	GM46740-KA3, 21	GM58752-KA1, 31
GM21294-KA1, 41	GM46257-MA5, 37	GM46741-KA1, 21	GM59331-KA1, 19
GM21298-KA1, 23	GM46721-KA1, 33	GM46741-KA2, 21	GM59331-KA2, 19
GM21298-KA2, 23	GM46722-KA1, 33	GM46741-KA3, 21	GM59331-KA3, 19
GM21311-KA1, 39	GM46723-KA1, 33	GM46742-KA1, 17	GM89839-MA1, 39
GM21311-KA2, 39	GM46725-KA1, 8	GM46742-KA3, 17	GM89839-MA2, 39
GM21311-KA3, 39	GM46726-KA1, 8	GM46743-KA1, 15	GM89839-MA3, 39
GM21565-KA1, 43	GM46727-KA1, 8	GM46743-KA2, 15	GM89839-MA4, 39
GM21565-KA2, 43	GM46728-KA1, 9	GM46744-KA1, 21	GM89839-MA5, 39
GM21565-KA3, 43	GM46729-KA1, 9	GM46744-KA2, 21	GM89839-MA6, 39
GM21565-KA4, 43	GM46730-KA1, 9	GM46744-KA3, 21	
GM21565-KA5, 43	GM46731-KA1, 9	GM46745-KA1, 14, 15	
GM21565-KA6, 43	GM46732-KA1, 8	GM46745-KA2, 17	
GM22373-KA1, 30	GM46734-KA1, 13, 14	GM46745-KA3, 14, 15	

KOHLER[®] Power Systems

KOHLER CO. Kohler, Wisconsin 53044
Phone 920-457-4441, Fax 920-459-1646
For the nearest sales/service outlet in the
US and Canada, phone 1-800-544-2444
KohlerPower.com

Kohler Power Systems
Asia Pacific Headquarters
7 Jurong Pier Road
Singapore 619159
Phone (65) 6264-6422, Fax (65) 6264-6455

TP-6433 5/15d

© 2006, 2008, 2010, 2014, 2015 by Kohler Co. All rights reserved.