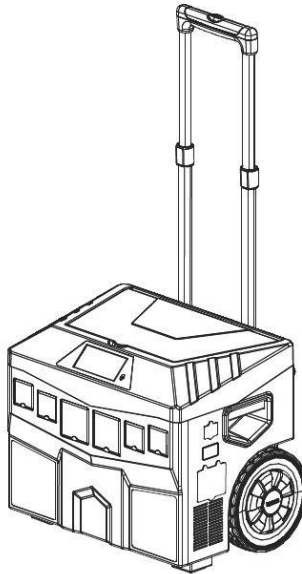




enCUBE1.8 Generators Owner's Manual



IMPORTANT: Read all safety precautions and instructions carefully before operating equipment.
Ensure engine is stopped and level before performing any maintenance or service.

Record product information to reference when ordering parts or obtaining warranty coverage.

Specifications _____
Serial Number _____
Purchase Date _____

TABLE OF CONTENTS

Introduction	02
Safety Precautions	03
Feature	06
System Control Panel	06
Output Panel	09
Input Panel	09
Back Panel	10
Operation	12
Working Mode	12
Output-Only Mode	12
Charging-Only Mode	12
Simultaneous Charging and Output Mode	14
Recharging	14
Charging Options	14
Charging with the Built-in AC Charger	14
Charging with Solar Panels	14
Expand the Solar Panels	14
Battery Self-discharge and Shelf life	15
Estimated Unit Operation Time	16
Troubleshooting	17
Specifications	20
Replacement & Installation of the Battery	22
Used Battery Disposal	24

INTRODUCTION

Thank you for your purchase of the enCUBE1.8. This system is a battery-powered system which can supply electrical power up to 1800 watts. This mobile energy center operates a wide variety of roles including recreational power, emergency power and productivity power.

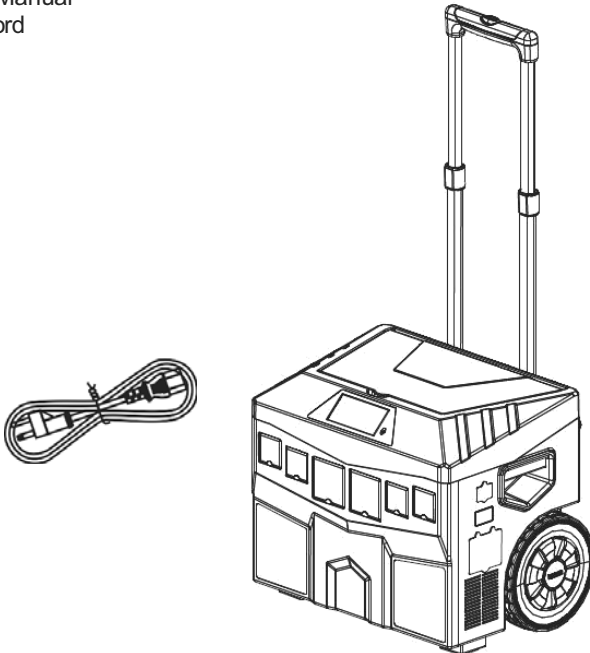
Specification

- Provides 120 VAC, 12 VDC and 5 VDC power supply anywhere
- 1800 W inverter included
- Sealed internal 100 amp-hour AGM battery included
- Retractable handle for convenient mobility
- High temperature, overload and short-circuit protection
- Low battery alarm and automatic shutdown
- 4" LCD displays clear information
- Quantity 2 - 12 VDC car lighter outlets
- Quantity 2 - 120 VAC outlets with built in GFCI
- Quantity 2 - 5 VDC USB outlets
- 12 VDC terminals (positive and negative)
- Automotive-type fuse panel

Packing list

The enCUBE1.8 carton contains the following items:

- enCUBE1.8 (Sealed 100 Ah AGM battery is pre-assembled inside)
- Operating Manual
- AC input cord



SAFETY PRECAUTIONS

▲ DANGER: A hazard that will result in death, serious injury, or substantial property damage.


▲ WARNING: A hazard that could result in death, serious injury, or substantial property damage.


▲ CAUTION: A hazard that could result in minor personal injury or property damage.


NOTE: is used to notify people of important installation, operation, or maintenance information.


Read this manual carefully before operating this machine. This manual should stay with this machine if it is sold.

	<p style="text-align: center;">▲ WARNING</p> <p>Rotating Parts can cause severe injury.</p> <p>Stay away while generator is in operation.</p>
<p>Keep hands, feet, hair, and clothing away from all moving parts to prevent injury. Never operate generator with covers, shrouds, or guards removed.</p>	

	<p style="text-align: center;">▲ CAUTION</p> <p>Electrical Shock can cause injury.</p> <p>Do not touch wires while generator is running.</p>
<p>Never operate generator in rain or snow.</p> <p>Never touch generator with wet hands or electrical shock may occur.</p>	

	<p style="text-align: center;">▲ WARNING</p> <p>Accidental Starts can cause severe injury or death.</p> <p>Disconnect and ground spark plug lead(s) before servicing.</p>
<p>Before working on generator or equipment, disable engine as follows: 1) Disconnect spark plug lead(s). 2) Disconnect negative (-) battery cable from battery.</p> <p>Do not allow children to operate generator.</p>	

	<p style="text-align: center;">▲ WARNING</p> <p>Hot Parts can cause severe burns.</p> <p>Do not touch generator while operating or just after stopping.</p>
<p>Never operate generator with heat shields or guards removed. Do not modify generator.</p> <p>Place generator in a place where pedestrians or children are not likely to touch generator.</p> <p>Be sure to carry generator only by its carrying handles.</p>	

	<p style="text-align: center;">▲ WARNING</p> <p>Hazardous Voltage.</p> <p>Backfeed to utility system can cause property damage, severe injury, or death.</p>
<p>Never plug a portable generator directly into a building outlet.</p> <p>If generator is used for standby power, have a certified, licensed electrician install an automatic transfer switch to prevent inadvertent interconnection of standby and normal sources of supply.</p> <p>There is a permanent conductor between the generator (stator winding) and the frame.</p>	

SAFETY PRECAUTIONS

Misuse of the enCUBE1.8 may result in injury to the user and/or damage to property. Read, understand and follow all **CAUTION** and **WARNING** statements contained in this manual.

CAUTION statements identify conditions or practices that may result in damage to the enCUBE1.8 or to other equipment. **WARNING** statements identify conditions that may result in personal injury or loss of life.

This chapter contains important safety and operating instructions. Read and keep this Operating Manual for future reference.

Before using the enCUBE1.8, read all instructions and cautionary markings on the enCUBE1.8 and all appropriate sections of this guide.

WARNING: Limitations on Use

The enCUBE1.8 is not intended for use in connection with life support systems or other medical equipment or devices.

WARNING: Shock or fire hazard

The enCUBE1.8 generates the same potentially lethal AC power as a normal household wall outlet. Please use it carefully like using a normal AC socket on the wall.

Do not insert any foreign objects into enCUBE1.8's AC outlets, its DC Power Socket, or the ventilation holes.

Do not remove the covers on the Power DC Terminals, unless connecting cables.

Do not, under any circumstances, connect the enCUBE1.8's AC receptacle to power utility AC distribution wiring.

Failure to follow the above safety instructions may result in personal injury and/or damage to enCUBE1.8.

WARNING: Electric Shock Hazard

Do not use enCUBE1.8 where there are flammable fumes or gases, such as in the bilge of a gasoline powered boat, or near propane tanks.


Do not use enCUBE1.8 in an enclosure containing automotive-type lead acid batteries. These batteries, unlike the sealed battery pack in the enCUBE1.8, vent explosive hydrogen gas, which can be ignited by sparks from electrical connections.

When working on electrical equipment always ensure someone is nearby to help you in an emergency.

SAFETY PRECAUTIONS

WARNING: Heat Hazard

The enCUBE1.8's internal inverter components may become uncomfortably warm, reaching 140°F (60°C) during prolonged operation. Ensure at least 6" of air space is maintained on all sides and on top of enCUBE1.8. During operation, keep away from materials that could be ignited by high temperatures such as blankets, pillows and sleeping bags, etc.

 **CAUTION:** This system should not be operated in environments where the ambient air temperature is over 104°F (40°C).


Precautions for Using Rechargeable Appliances

Most rechargeable battery-operated equipment uses a separate charger or transformer that is plugged into an AC receptacle and produces a low voltage charging output. Some chargers for small rechargeable batteries can be damaged if connected to the enCUBE1.8.

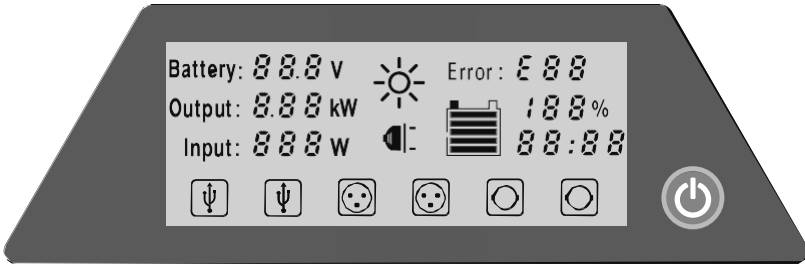
Notice: Equipment Damage

When the enCUBE1.8 produces modified sine wave electricity, which is different from pure sine wave utility-supplied electricity. Certain types of load equipment may be damaged by modified sine wave electricity. Some examples include:


- Small battery-operated appliances like flashlights, razors, and night lights that can be plugged directly into an AC receptacle to recharge.
- Speed controllers found in some fans, power tools, kitchen appliances, and other loads may be damaged.
- Metal halide arc (MHI) lights can be damaged.

 **IMPORTANT:** If you are unsure about using your appliance with the enCUBE1.8, contact the equipment's manufacturer to find out if there are high voltages at the battery terminals or if the appliance incorporates the use of transformers.

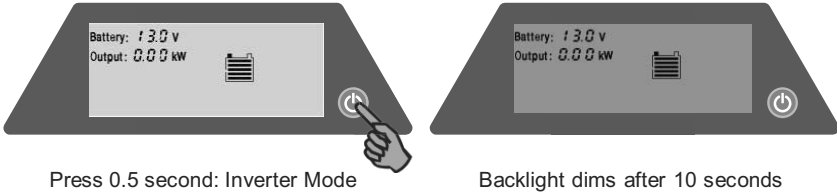
1. System Control Panel



Press ON/OFF button for 0.5 second: Self-test mode
(Note: Real color of display is blue)
Figure 1 Control Panel

Power On 


Refers to operation of the AC outlets. When unit is 'off' all DC output outlets are LIVE.



Press 0.5 second: Inverter Mode

Backlight dims after 10 seconds

Figure 2 Turn on the enCUBE1.8

Power Off 

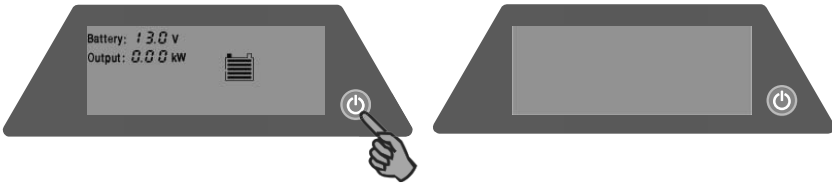
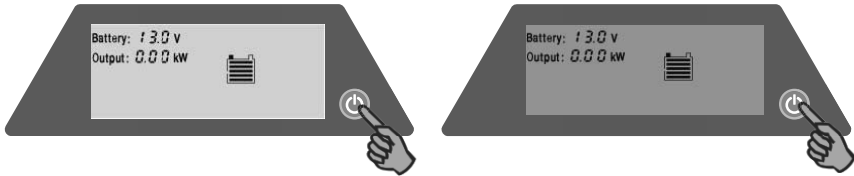


Figure 3 Turn off the enCUBE1.8(Press 0.5 second)

LCD Display Backlight



Press 3 seconds: Turn on the backlight

Press 3 seconds: Turn off the backlight

Figure 4 Turn ON/OFF the backlight

To reprogram the backlight so that it turns off automatically, repeat the above procedure.

Display Information Details

Battery:

The battery indicator displays the battery's current voltage level. The battery's voltage is shown in DC volts.

Output:

The output indicator displays the total power being pulled from the AC inverter or the DC power socket.

Input:

The input indicator displays the total power being input into the enCUBE1.8 from the solar panel(s) or the AC charger.

Error:

The error indicator displays an error code, if any on page 17-19.

Time remaining indicator

The time remaining indicator displays the expected amount of time the battery will last based on current usage.

➤ **NOTICE:** Remaining time is calculated based on 100 Ah battery. There will be discrepancy between the display and the actual working time.

Battery capacity indicator:

The battery capacity indicator displays the percentage of battery's capacity remaining based on current usage.

➤ **NOTICE:** If Error code “E05” is displayed, the unit should be recharged using the AC charger, or solar panels.

Solar charging indicator

When the enCUBE1.8 is connected to a solar panel, the solar charging indicator will be illuminated.

AC charging indicator

The AC charging indicator will be displayed when connecting to any sources of AC power.

Battery level indicator

The battery level indicator displays the battery’s approximate remaining capacity.

USB output indicator

The USB indicator will be illuminated if output loads (devices) are connected to any of the USB ports. If nothing is connected to any of the USB ports, the indicator will be dimmed.

AC output indicator

If a load (device) is connected to any of the AC outlets, the AC output indicator will be illuminated. If no loads / devices are connected to any of the AC outlets, the indicator will be dimmed.

➤ **NOTICE:** There is no AC output power if the inverter is not turned on.

DC car lighter output indicator

The DC car lighter output indicator will be illuminated if any load / device greater than 1 amp is plugged into the DC car lighter port. If no load / device greater than 1 amp is plugged into the port, the indicator will be dimmed.

➤ **NOTICE:** The DC car lighter indicator will not be illuminated if the enCUBE1.8 is turned off, but power will still be available at the DC car lighter port.

2. Output Panel

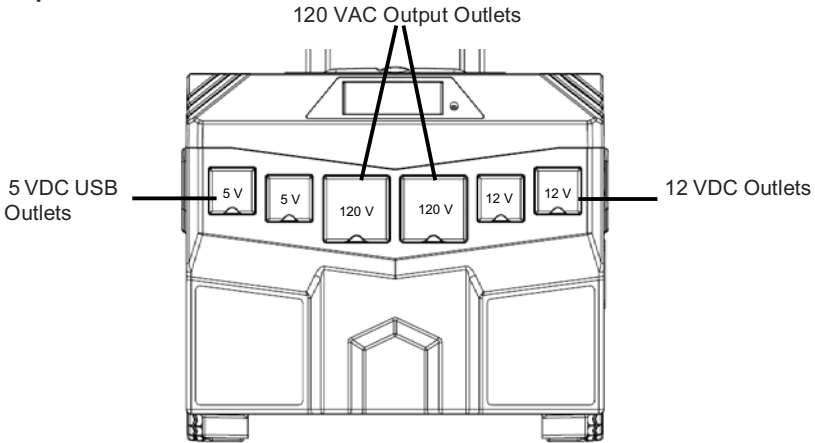


Figure 5 Output panel

The Output Panel contains a total of six electrical outlets:

- Two 5 VDC USB outlets provide power whether or not the enCUBE1.8 is powered on.
- Two 120 VAC outlets provide 120 V / 60 Hz power only when the enCUBE1.8 is powered on.
- Two 12 VDC car lighter outlets provide power whether or not the enCUBE1.8 is powered on.

➤ **NOTICE:** If the enCUBE1.8's battery voltage is lower than 10.2 VDC, the USB & 12 VDC outlets will turn off automatically.

3. Input Panel

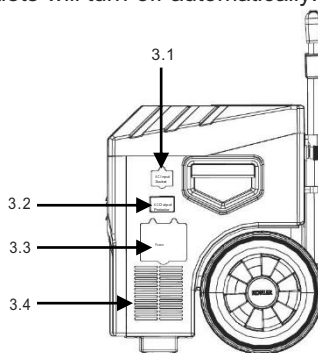


Figure 6 Input panel

3.1 AC charging interface: connect to 120 VAC source of AC power.

3.2 GFCI: 20 A Built-in GFCI for 120 VAC output.

3.3 Fuse set:

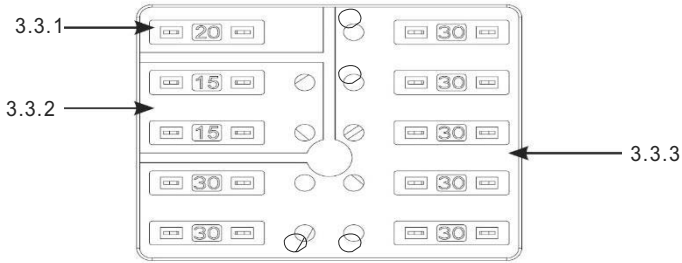


Figure 7 Fuseset

3.3.1 Solar input fuse: one 20 A / 32 VDC.

3.3.2 DC car lighter output fuses: two 15 A / 32 VDC.

3.3.3 Jump start fuses: seven 30 A / 32 VDC.

3.4 Vent: the vent for inner fan.

⚠ WARNING: Always maintain at least 6" (15 cm) of empty air space around all sides of the enCUBE1.8's cabinet to allow for proper cooling whenever the unit is operating.

4. Back Panel

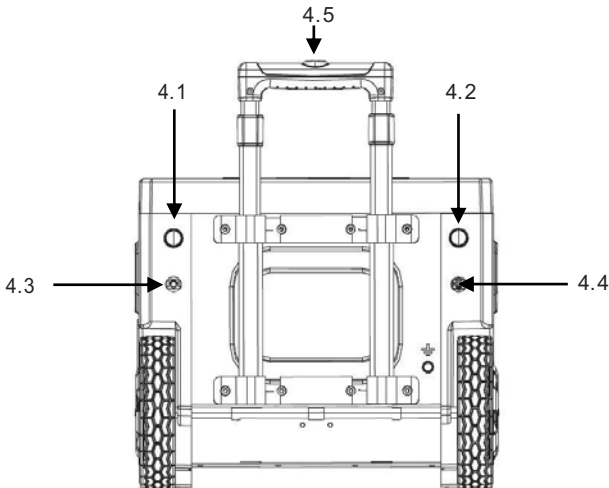


Figure 8 Back panel

4.1/4.2 12 VDC terminals: Jump start a car by connecting the red positive (+) and black negative (-) terminals to the battery of the car.

4.3/4.3 Solar charging input: Charge the enCUBE1.8's battery by connecting the red positive (+) and black negative (-) terminals to the solar panel.

4.5 Telescopic handle

Telescopic handle release button: Use your thumb to press the release button, then pull and extend the telescoping handle (see the illustration below).

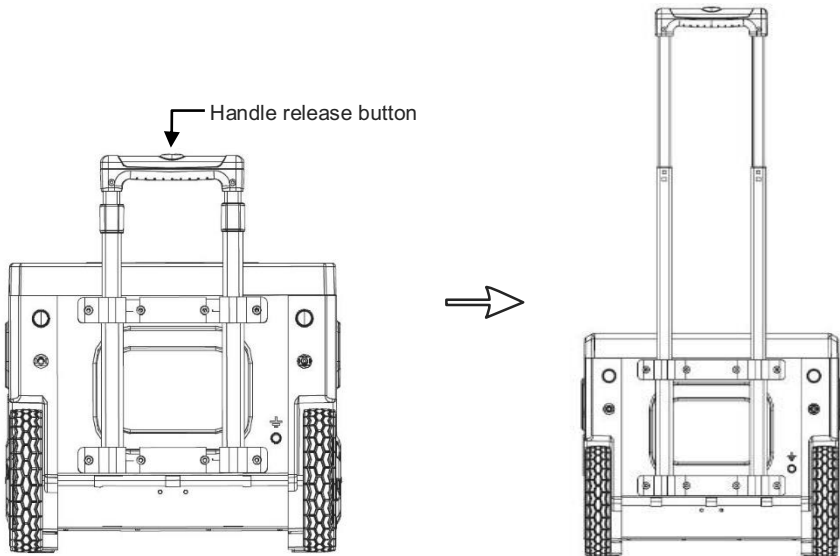
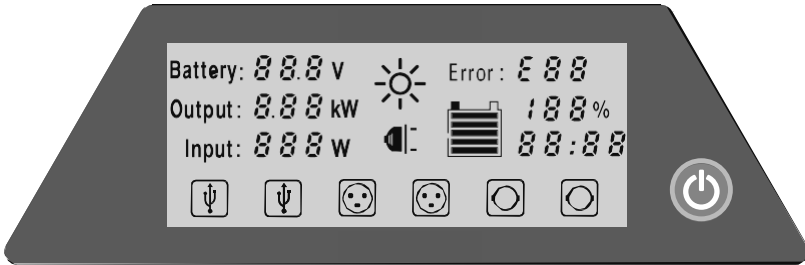


Figure9 Telescopic handle

1. Working mode

Output-Only Mode – When the enCUBE1.8 is in output-only mode, no input power is connected, but loads/devices are connected to the system. To enter the output-only mode, power on the enCUBE1.8 by pressing and holding the ON/OFF power button for approximately one-half second and release the button when the unit beeps.



The self-test display appears when the enCUBE1.8 is initially powered on




Output-only mode display

Backlight dims after 10 seconds automatically

Figure 10 Output-only Mode

When the enCUBE1.8 is in output-only mode, following indicators will be displayed as calculated based on output.

- **Battery voltage**
- **Output power**
- **Battery level** 
- **Remaining work time**

Whenever a device / load is plugged in or unplugged, related output indicator will be illuminated or dimmed, the backlight will be illuminated for 5 seconds and the beeper will sound. If the enCUBE1.8 detects an error, the LCD display's backlight will turn red and begin flashing. The relevant error code will be displayed and the beeper will sound every second.


If the enCUBE1.8's level falls below 10.5 V, the unit will automatically shut off.

Charging-Only Mode - Input power is connected (from either AC or solar) and no output loads / devices are connected.

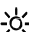

When connecting to the solar panel or any sources of AC power, the enCUBE1.8 will beep and all shaded indicators will be illuminated for approximately three seconds, the backlight will be illuminated for ten seconds and then dim.

OPERATION

While in charging-only mode, following indicators will be displayed:


- **Battery voltage** 13.0 V
- **Input power** 100 w
- **Battery level** 

Depending on the energy input's source, the related charging indicators will also be illuminated:




- **Solar charging indicator** 
- **AC charging indicator** 

Simultaneous Charging and Output Mode - One or more loads/devices are connected to outlets and one or more sources of input power are connected.

While in simultaneous charging and output mode, the following indicators will be displayed:

- **Battery voltage** 13.3 V
- **Input power** 300 w
- **Battery level** 
- **Output power** 0.20 kW
- **Remaining work time(as per calculation)**

Depending on the outlets being used, the related indicators will also be illuminated:

- **AC Output indicator** 
- **USB indicator** 
- **12 VDC car lighter indicator** 

Depending on the outlets being used, the related indicators will also be illuminated



Figure 11 Simultaneous Charging and Output Mode with AC output

Depending on the outlets being used, the related indicators will also be illuminated:

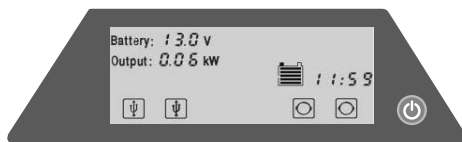


Figure 12 Simultaneous Charging and Output Mode with USB and car lighter output

2. Recharging enCUBE1.8

2.1 Charging Options

There are two charging options are possible with the enCUBE1.8:

- Charging with the built-in AC Charger.
- Charging with solar panels.

Charging with the Built-in AC Charger

To use the built-in AC charger, follow these steps:

- 1) Insert the AC charging cable into AC charging interface.
- 2) Plug the AC charging cable into a standard 120 VAC receptacle.

While the system is charging, the AC charging indicator will be illuminated, the backlight will be illuminated for five seconds and the beeper will sound. A full recharge may take up to 24 hours. The battery indicator will display the battery level during the charging stage.

➤ **NOTICE:** Battery Level Indicator readings will not be accurate until the batteries have “rested” for 30 minutes after charging.

Charging with Solar Panels

12 VDC solar panels rated to produce a maximum of 20 A can be used to charge the enCUBE1.8 via the solar charging input.

To charge with solar panels, follow these steps:

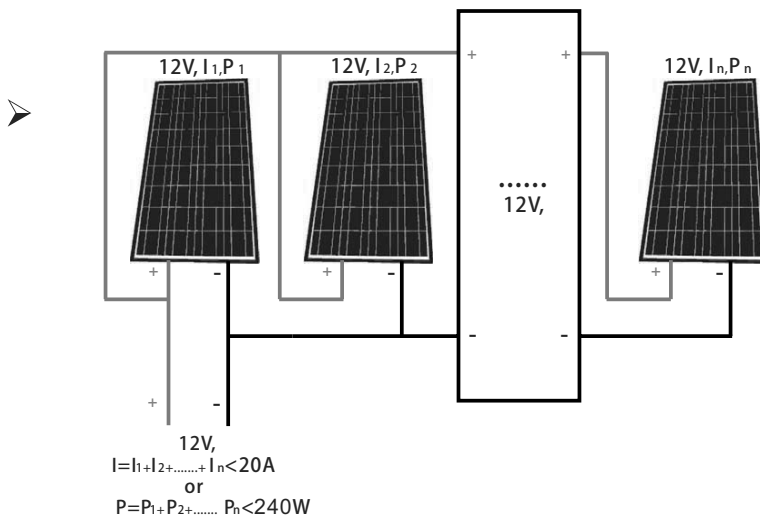
- 1) Plug the solar cables into the solar charging inputs (one-way connectors ensure the polarity is correct).
- 2) Plug the other end of the solar cables into the output of the solar panels.
- 3) While the system is charging, the solar charging indicator will be illuminated, the backlight will be illuminated for 5 seconds and the beeper will sound.
- 4) With direct sunlight, a typical 60 W solar panel may take up to 30 hours to fully recharge the enCUBE1.8 depending on the intensity of the sunlight on the solar panel.
- 5) The battery indicator will display the battery level during the charging stage.

How to expand the solar panels?

Connecting solar panels in parallel up to 240 W for a 12 VDC system is recommended to shorten charging time. The maximum output current is limited to 20 A.

Using multi adapters (MC4-Y-adapter) to parallel connected solar panels is recommended. More information about multi adapters. please contact with KohlerPower.com.

OPERATION



NOTICE: Solar input exceeding 20 A will trip the enCUBE1.8's solar charging fuse.

CAUTION: Risk of damage to battery pack

Using amorphous solar modules or modules over 12V DC can damage the battery pack.

2.2 Battery Self-discharge and Shelf Life

All rechargeable batteries gradually discharge when left idle. Periodic charging is necessary to maintain maximum battery capacity. The AC charger built into the enCUBE1.8 regulates the charging process, ensuring the battery pack is always fully charged, but never overcharged.

CAUTION: Risk of damage to battery

Due to inherent self-discharge, lead acid batteries must be charged at least every three (3) months, especially in a warm environment. Leaving a battery in a discharged state, or not recharging every 3 months, may cause permanent damage to the battery.

CAUTION: Risk of damage to battery

Do not attempt to charge the enCUBE1.8's battery if it is frozen. A frozen battery should be gradually warmed to 32°F (0°C) before charging.

ESTIMATED UNIT OPERATION TIME

enCUBE1.8 output 120 VAC can be used to drive electrical appliances such as lamps, computers, electric tools, etc.

USB output 5 VDC can supply power to cellular phone and digital products such as MP3 players, tablets, etc.

Car lighter plug output 12 VDC can supply power to electrical products using 12 VDC.

Working time of load: using 100 Ah battery as example (these data are for reference only).

	Power requirement	Approximate Run time (Hours)*
Home		
Side-by-side Refrigerator Freeze	1,400	14
50" LED Television	238	8.5
Chest Freezer (7 cu. Ft)	204	19
Microwave	1,350	1
LED Light bulbs	23	53
Coffee Maker	900	40 cups (8 Oz)
Laptop Computer	90	60
Iron (for clothes)	1,440	1
Work		
18V Cordless tool battery	43	~20 recharges
Fun		
50" LED Television	238	8.5
Crockpot	295	6.5
Table Fan	40	66

* Based on internal testing. Actual results may vary depending on your equipment, usage and age of the battery.

TROUBLESHOOTING

This section will help you quickly identify the source of most problems that can occur with the enCUBE1.8.

If you have a problem with the enCUBE1.8, please review this chapter before contacting customer support.

If you are unable to solve a problem and need to contact customer support, record the details on the manual cover.

Error codes

The following error codes may be displayed on the LCD display if the described fault conditions occur.

Table 1 Error Codes for Troubleshooting the enCUBE1.8

Error Code Displayed	Description of Error	Description of Condition	Resolution
E01	DC Input Under Voltage Shut- down	<p>Unit shuts down.</p> <p>The input voltage has dropped to below the operation voltage limit of 10.7 VDC.</p> <p>An alarm continues to beep once every second until input voltage drops to 10.5 VDC.</p> <p>The backlight turns red and flashes.</p> <p>After the alarm continues for one minute, the backlight and alarm will turn off. Only the error code will be shown continuously.</p>	<p>The unit will automatically reset once the fault condition is removed.</p> <p>If this condition is not corrected and the unit powers down completely, it will be necessary to press the ON/ OFF Button to turn the unit ON again.</p> <p>Charge the battery immediately.</p>
E02	DC Input Over Voltage Shutdown	<p>Unit shuts down.</p> <p>An input voltage is greater than 15.5 VDC.</p> <p>The backlight turns red and flashes.</p> <p>After the alarm continues for one minute, the backlight and alarm will turn off. Only the error code will be shown continuously.</p>	<p>The unit will automatically reset once the fault condition is removed.</p> <p>Check if the DC input voltage is over the input voltage range.</p>

TROUBLESHOOTING

E03	AC Output Overload Shutdown & AC Output Short-circuit Shutdown	<p>Unit shuts down.</p> <p>An AC load applied to the system in Inverter-mode is above operation limit.</p> <p>Flashing backlight changes from pink to red.</p> <p>After the alarm continues for one minute, the backlight and alarm will turn off. Only the error code will be shown continuously.</p>	<p>Remove excess AC loads.</p> <p>Reset of unit is required.</p> <p>To reset the unit, turn it OFF and back ON.</p>
E04	System Over Temperature Shutdown	<p>Unit shuts down.</p> <p>System internal temperature is above operation limit.</p> <p>The alarm will continue to beep once every second.</p> <p>Flashing backlight changes from pink to red.</p> <p>After the alarm continues for one minute, the backlight and alarm will turn off. Only the error code will be shown continuously.</p>	<p>Remove excess AC loads.</p> <p>Reset of unit is required.</p> <p>To reset the unit, turn it OFF and back ON.</p> <p>Check the system ventilation and reduce the load applied to the system.</p>
E05	DC input Under Voltage Warning	<p>System is still operating but input voltage has dropped too close to the shutdown limit (11.0 to 10.7 VDC).</p> <p>Backlight turns pink color and flashes.</p>	<p>Unit continues to run.</p> <p>If the warning is ignored, the enCUBE1.8 will eventually go into the E01 fault condition.</p>
E06	AC Output Overload Warning	<p>System is still operating, but the AC load applied to the system is excessive and may cause the enCUBE 1.8 to shut down.</p> <p>Backlight turns pink color and flashes.</p>	<p>Unit continues to run.</p> <p>If the warning is ignored, the unit will eventually go into the E03 fault condition.</p>

TROUBLESHOOTING

E07	System Over Temperature Warning	System is still operating, but the system's internal temperature is close to the shutdown limit. Backlight turns pink color and flashes.	Unit continues to run. If the warning is ignored, unit will eventually go to the E04 fault condition.
E08	Car lighter port #1 fuse is tripped	DC car lighter output current is more than 15 A. Backlight turns pink color and flashes. Alarm continues until the fuse is replaced.	Reduce the load to DC car lighter outlet. Replace fuse.
E09	Car lighter port #2 fuse is tripped	DC car lighter output current is more than 15 A. Backlight turns pink color and flashes. Alarm continues until the fuse is replaced.	Reduce the load to DC car lighter outlet. Replace fuse.
E10	Car lighter port #1 and port #2 fuses are tripped	DC car lighter output current is more than 15 A. Backlight turns pink color and flashes. Alarm continues until the fuses are replaced.	Reduce the load to DC car lighter outlet. Replace fuse.

➤ **NOTICE:** If different errors occur at the same time, E08, E09 and E10 will be displayed with high priority. Other error codes will be displayed only after the highest priority error is resolved and the system is restarted

SPECIFICATIONS

This chapter contains the electrical specifications of the enCUBE1.8.

Inverter

Parameter	Inverter
Input Voltage Range	10.7 - 15.5 VDC
Rated Input Voltage	12.5 VDC
Maximum Input Current	190 A
Output Voltage (at no load)	120 VAC / ± 5 VAC
Output Frequency	60 Hz / ± 1 Hz
Continuous Output Power	1440 W
Maximum Output Power	1800 W
Continuous Output Current	12 A
Surge Rating	3600 W
Surge Current	30 A
Output Waveform	Modified Sine Wave
Inverter Output Efficiency	> 85%
Storage Temperature	Ideal operating temperature is less than 77°F(25°C)
Protection	Eight 30 A / 32 VDC fuses protecting the DC input terminal

Built-in Charger

Parameter	AC Input Charger
AC Input Voltage Range	90 - 130 VAC
Rated AC Input Voltage	120 VAC

SPECIFICATIONS

Maximum Charging Power		80 W /±10 W
AC Input Frequency		60 Hz /± 1 Hz
Output Voltage	Bulk	14.7 VDC /± 0.2 VDC
	Float	13.7 VDC /± 0.2 VDC
	Recharge	12.6 VDC /± 0.2 VDC
Charging Process		Three-Stage Charging Process: <ul style="list-style-type: none"> • Bulk Stage • Absorption Stage • Float Stage
Exchange Efficiency		> 75%
Protection		High temperature, input-limited protection

Solar Charger

Parameter		Solar charger
Solar Input Voltage Range		10 - 24.5 VDC
Maximum Output Current		20 A
Output Voltage	Bulk	14.7 VDC /± 0.2 VDC
	Float	13.7 VDC /± 0.2 VDC
	Recharge	12.6 VDC /± 0.2 VDC
Charging Process		Three-Stage Charging Process: <ul style="list-style-type: none"> • Bulk Stage • Absorption Stage • Float Stage
Exchange Efficiency		> 95%
Protection		One 20 A / 32 VDC fuse protecting the DC input terminal

REPLACEMENT & INSTALLION OF THE BATTERY

Use only batteries meeting the following criteria:

- a. Battery type: Sealed lead-acid, AGM.
- b. Nominal voltage: 12 VDC.
- c. Capacity: 60 Ah or 80 Ah or 90 Ah or 100 Ah.
- d. Battery should comply with UL1989 standard.
- e. When installing the battery, make sure the polarity connections are correct.

➤ **NOTICE:** Battery has to be recharged immediately once purchased. All rechargeable batteries gradually discharge when left standing. Periodic charging is necessary to maintain maximum battery capacity.

⚠ **WARNING:** Study all battery manufacturers' specific precautions and warnings in advance before assembly. Incorrect connection may cause a short circuit and personal injury. Follow all recommended guidelines. Refer to page 24 for more recommended information.

⚠ **CAUTION:** Risk of explosion if battery is replaced by an incorrect type. Dispose of used battery properly. Do not dispose of battery in a fire. The battery may explode.

⚠ **CAUTION:** Servicing of battery should be performed only by a factory-authorized service center. When replacing the battery, replace with the same type of battery.

⚠ **CAUTION:** Do not open or mutilate battery. Released chemical is harmful to the skin and eyes and is toxic.

⚠ **CAUTION:** A battery can present a risk of electrical shock.

The following precautions should be observed when working on battery:

- 1) Remove watches, rings, or other metal objects.
- 2) Use tools with insulated handles.
- 3) Wear rubber gloves and boots.
- 4) Do not lay tools or metal parts on top of battery.
- 5) Disconnect charging source prior to connecting or disconnecting battery terminals.
- 6) Determine if battery is inadvertently grounded. If inadvertently grounded, remove source from ground. Contact with any part of a grounded battery can result in electrical shock. The likelihood of such shock can be reduced if such grounds are removed during installation and maintenance.

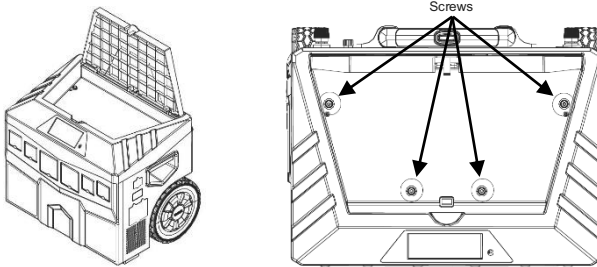
What's required for install?

- Phillips Screwdriver
- Small Slot Screwdriver
- Electrical Tape

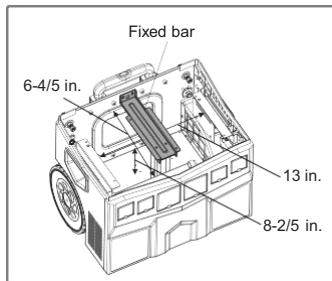
REPLACEMENT & INSTALLION OF THE BATTERY

The replacement steps of the battery are as follows:

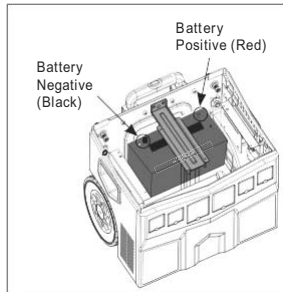
- 1) Remove the four screws and open the upper cover.



- 2) Remove the fixed bar securing the battery.



- 3) Remove the connection of the POSITIVE (RED) cable from the battery, wrap the lug of the cable with electrical tape.



- 4) Remove the connection of the NEGATIVE (BLACK) cable from the battery, wrap the lug of the cable with electrical tape.

- 5) Remove the battery.

6) Put into the new battery and make it be in right position. If the new battery is smaller than the previous one, place the new battery in the center position. This will help to stabilize the unit's center of gravity, making it easier to pull.

7) Confirm the batteries positive and negative terminals are aligned with the enCUBE1.8's positive and negative batteries.

REPLACEMENT & INSTALLION OF THE BATTERY

8) Unwrap POSITIVE (RED) lug, connect the cables to the POSITIVE (RED) terminal of the battery and tighten.

9) Unwrap NEGATIVE (BLACK) lug, connect the cables to the NEGATIVE (BLACK) terminal of the battery and tighten.

USED BATTERY DISPOSAL

Batteries contain materials that are hazardous to the immune system, such as mercury, which can lead to health damage.

Improper Battery Storage & Disposal:

The following list consists of things not to do with batteries:

- Do not bury batteries.
- Do not burn batteries.
- Do not store them with metal, or different types of batteries.

Proper Battery Storage & Disposal:

Storage

Unused batteries contain the same chemicals as those of used batteries and therefore pose the same threat of contamination and fire. If a battery comes into contact with another object, in particular metal or objects that contain moisture, the possibility of that battery to leak acid or cause a fire is increased. It is important to store batteries (new and used) in a clean, dry enclosed area with their terminals protected from contact with other objects.

Disposal

There are several options for properly disposing of used batteries:

- Return the battery to the place of purchase.
- Most stores that sell car batteries will also accept them for recycling. There may be a fee for this service.
- A metal recycler may pay you for your car battery. Look in the yellow pages or internet under "Recycling Centers" for a list of metal recyclers in your area.

ÍNDICE

Introduction	26
Medidas de seguridad	27
Característica	30
Panel de control del sistema	30
Panel de salida	33
Panel de entrada	33
Panel trasero	34
Operación	36
Modo de trabajo	36
Recarga	38
Opciones de carga	38
Expansión de paneles solares	38
Autodescarga de la batería y vida útil	39
Tiempo estimado de operación de la unidad	40
Guía de solución de problemas	41
Especificaciones	44
Reemplazo e instalación de la batería	46
Desecho de la batería usada	48

INTRODUCTION

Gracias por comprar el enCUBE1.8. Este sistema es un sistema alimentado por batería que puede suministrar energía eléctrica de hasta 1800 watts. Este centro de energía móvil tiene una amplia variedad de funciones incluyendo energía para actividades recreacionales, energía para emergencias y energía para la productividad.

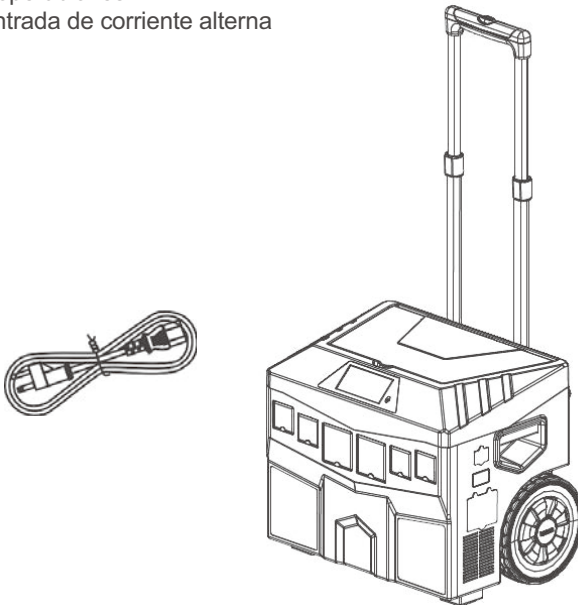
Especificaciones

- Proporciona suministro eléctrico de 120 VCA, 12 VCD y 5 VCD en cualquier lugar
- Incluye inversor de 1800 W
- Incluye batería AGM interna sellada de 100 amp-hora
- Agarradera retráctil para una movilidad conveniente
- Protección contra alta temperatura, sobrecarga y cortocircuito
- Alarma de batería baja y apagado automático
- La pantalla LCD de 4" muestra información clara
- 2 salidas de encendedor de automóvil de 12 VCD
- 2 salidas de 120 VCA con GFCI integrado
- 2 salidas USB de 5 VCD
- Terminales de 12 VCD (positiva y negativa)
- Panel de fusibles tipo automotriz

Lista de empaques

La caja de cartón del enCUBE1.8 contiene los siguientes elementos:)

- enCUBE1.8 (la batería AGM de 100 Ah sellada está pre-ensamblada adentro)
- Manual de operaciones
- Cable de entrada de corriente alterna



MEDIDAS DE SEGURIDAD

- ▲ **PELIGRO:** Un peligro que puede causar la muerte, lesiones graves o daños materiales considerables.
- ▲ **ADVERTENCIA:** Un peligro que puede causar la muerte, lesiones graves o daños materiales considerables.
- ▲ **PRECAUCIÓN:** Un peligro que puede ocasionar lesiones personales o daños materiales menores.


NOTA: Se utiliza para notificar a las personas sobre información importante de la instalación, funcionamiento o mantenimiento.


Lea cuidadosamente este manual antes de operar esta máquina. Este manual debe permanecer con esta máquina en caso de que esta sea vendida.

	<p style="text-align: center;">▲ ADVERTENCIA</p> <p>Las partes giratorias pueden provocar lesiones graves. Manténgase alejado mientras el generador está en funcionamiento.</p>
<p>Mantenga las manos, los pies, el cabello y la ropa alejados de todas las piezas móviles para evitar lesiones. Nunca opere el generador sin las cubiertas, revestimientos y protectores.</p>	

	<p style="text-align: center;">▲ ADVERTENCIA</p> <p>Los arranques accidentales pueden provocar lesiones graves o la muerte.</p>
<p>Desconecte y aterrice cualquier cable de las bujías antes de dar servicio. Antes de trabajar en el generador o el equipo, desactive el motor de la siguiente manera:</p> <ol style="list-style-type: none"> 1) Desconecte cualquier cable de las bujías. 2) Desconecte el cable negativo (-) de la batería. <p>No permita que los niños operen el generador.</p>	

	<p style="text-align: center;">▲ ADVERTENCIA</p> <p>Las partes calientes pueden provocar quemaduras graves.</p>
	<p>No toque el generador durante el funcionamiento o justo después de detenerlo. Nunca opere el generador sin las</p>
<p>pantallas o protecciones térmicas. No altere el generador. Coloque el generador en un lugar donde no sea posible que los peatones o los niños lo toquen. Asegúrese de cargar el generador solo por sus agarraderas de transporte.</p>	

	<p style="text-align: center;">▲ PRECAUCIÓN</p> <p>Una descarga eléctrica puede causar lesiones.</p>
<p>No toque los cables mientras el generador está en funcionamiento. Nunca opere el generador en la lluvia o nieve. Nunca toque el generador con las manos mojadas o podría ocurrir una descarga eléctrica.</p>	

	<p style="text-align: center;">▲ ADVERTENCIA</p> <p>Voltaje peligroso.</p>
<p>El retorno al sistema eléctrico público puede causar daños al equipo, graves lesiones o la muerte. Nunca conecte directamente un generador portátil a una toma de edificio. Si el generador se utiliza como energía de reserva, haga que un electricista certificado instale un interruptor de transferencia automático para evitar la interconexión inadvertida entre la energía de reserva y las fuentes normales de energía. Hay un conductor permanente entre el generador (bobina del estátor) y el marco.</p>	

El mal uso del enCUBE1.8 puede ocasionar lesiones al usuario o daños a la propiedad. Lea, comprenda y siga todas las indicaciones de PRECAUCIÓN y ADVERTENCIA contenidas en este manual.

Las indicaciones de PRECAUCIÓN identifican las condiciones o prácticas que pueden ocasionar daños al enCUBE1.8 o a otros equipos. Las indicaciones de ADVERTENCIA identifican situaciones que pueden ocasionar lesiones personales o incluso la muerte.

Este capítulo contiene instrucciones importantes de seguridad y operación. Lea y guarde este Manual de operación como referencia a futuro.

Antes de usar el enCUBE1.8, lea todas las instrucciones y marcas de precaución del enCUBE1.8 y todas las secciones correspondientes de esta guía.

⚠ ADVERTENCIA: Limitaciones de uso

El enCUBE1.8 no está diseñado para utilizarse en conjunto con sistemas de soporte vital u otros equipos o dispositivos médicos.

⚠ ADVERTENCIA: Riesgo de descarga eléctrica o incendio

El enCUBE1.8 genera la misma corriente alterna potencialmente letal que una toma de corriente normal del hogar. Utilícelo con el cuidado con que se usa un enchufe normal de corriente alterna en la pared.

No inserte ningún objeto extraño en las tomas CA, la toma de corriente directa o los orificios de ventilación del enCUBE1.8.

No quite las cubiertas de las terminales de corriente directa, a menos que se tengan que conectar los cables.

No conecte, bajo ninguna circunstancia, la entrada de alimentación de CA del enCUBE1.8 al cableado de distribución de corriente alterna de la red eléctrica pública.

Si no se siguen las instrucciones de seguridad anteriores, esto puede provocar lesiones o daños al enCUBE1.8.

⚠ ADVERTENCIA: Riesgo de descarga eléctrica

No utilice el enCUBE1.8 donde haya vapores o gases inflamables, como en la sentina de un barco con motor de gasolina o cerca de tanques de propano. No utilice el enCUBE1.8 en un recinto que contenga baterías de plomo y ácido de tipo automotriz. Estas baterías, a diferencia de la batería sellada en el enCUBE1.8, emanan gas de hidrógeno explosivo que puede ser encendido por chispas de conexiones eléctricas.

Siempre asegúrese de que alguien esté cerca para ayudarlo en una emergencia cuando trabaja en equipo eléctrico.

⚠️ ADVERTENCIA: Riesgo de calentamiento

Los componentes del invertidor interno del enCUBE1.8 pueden llegar a calentarse demasiado, llegando hasta 140°F (60°C) durante el funcionamiento prolongado. Asegúrese de que se deje un espacio vacío de por lo menos 6" en todos los lados y en la parte superior del enCUBE1.8. Durante el funcionamiento, mantenga lejos cualquier material que podría incendiarse por las altas temperaturas, tales como cobijas, almohadas y sacos de dormir, etc.

⚠️ PRECAUCIÓN: Este sistema no debe utilizarse en entornos donde la temperatura ambiente es mayor a 104°F (40°C).

Precauciones para el uso de aparatos recargables

La mayoría de los equipos con batería recargable utilizan un cargador o transformador separado que se conecta a una toma de CA y produce una salida de carga de bajo voltaje. Algunos cargadores para pequeñas baterías recargables se pueden dañar si se conectan al enCUBE1.8.

⚠️ Nota: Daño al equipo

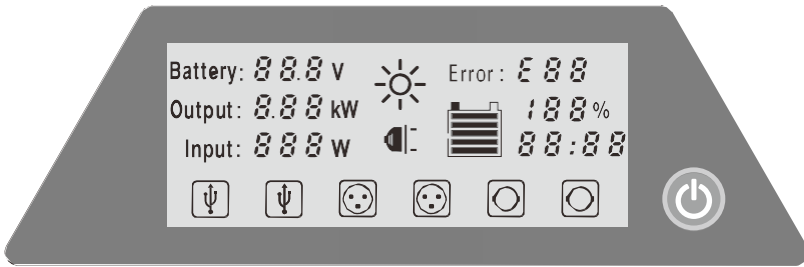
El enCUBE1.8 produce electricidad de onda sinusoidal modificada, la cual es diferente de la electricidad de la red pública de onda sinusoidal pura. Ciertos tipos de equipo de carga pueden dañarse por la electricidad de onda sinusoidal modificada. Algunos ejemplos son:

- Aparatos que funcionan con baterías pequeñas como linternas, rasuradoras y luces nocturnas que se pueden conectar directamente a una toma de corriente alterna para recargarse.
- Los reguladores de velocidad que se encuentran en algunos ventiladores, herramientas eléctricas, aparatos de cocina y otras cargas se pueden dañar.
- Las luces de arco de halogenuro metálico (MHI) se pueden dañar.

⚠️ IMPORTANTE: Si no está seguro sobre el uso de su aparato con el enCUBE1.8, póngase en contacto con el fabricante del equipo para saber si hay altos voltajes en las terminales de la batería o si el aparato incorpora el uso de transformadores.

CARACTERÍSTICA

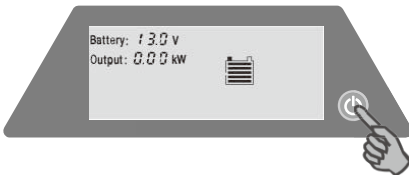
1. Panel de control del sistema



Presione el botón de Encendido/Apagado (ON/OFF) por 0.5 segundos: Modo de auto-comprobación (nota: el color real de la pantalla es azul)
Figura 1 Panel de control

ON (Encendido)

Se refiere a la operación de las salidas de corriente alterna. Cuando la unidad está 'apagada', todas las tomas de salida de corriente directa están VIVAS.



Presione por 0.5 segundos: Modo de invertidor



La luz de fondo se atenúa después de 10 segundos

Figura 2 Encienda el enCUBE1.8

Off (Apagado)

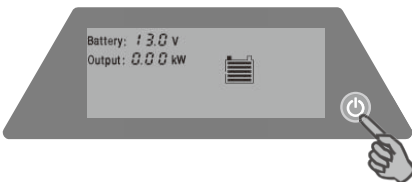


Figura 3 Apague el enCUBE1.8 (presione por 0.5 segundos)

Luz de fondo de pantalla LCD

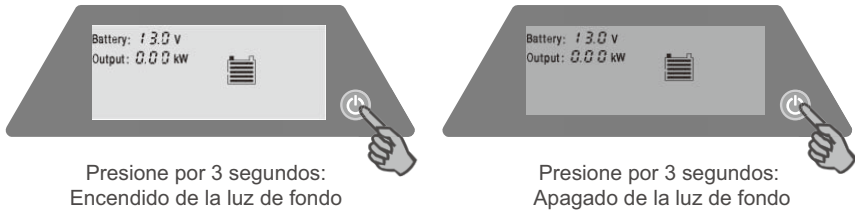


Figura 4 Encendido/apagado de la luz de fondo

Si desea reprogramar la luz de fondo para que se apague automáticamente, repita el procedimiento anterior.

Detalles de información de la pantalla

Batería:

El indicador de la batería muestra el nivel de voltaje actual de la batería. El voltaje de la batería se muestra en voltios de corriente directa.

Salida:

El indicador de salida muestra la energía total que se jala desde el inversor de corriente alterna o las terminales de corriente directa.

Entrada:

El indicador de entrada muestra la energía total que ingresa en el enCUBE1.8 desde los paneles solares o el cargador de CA.

Error:

El indicador de error muestra un código de error, en caso de haber alguno, en la página 41-43.

Indicador de tiempo restante

El indicador de tiempo restante muestra la cantidad esperada de tiempo que la batería durará en función del uso actual.

NOTA: El tiempo restante se calcula basándose en la batería de 100 Ah. Habrá discrepancia entre la pantalla y el tiempo de trabajo real.

Indicador de capacidad de batería:

El indicador de tiempo restante muestra la cantidad esperada de tiempo que la batería durará en función del uso actual.

➤ **NOTA:** Si se muestra el código de error "E05", se deberá recargar la unidad utilizando el cargador de CA o los paneles solares.

Indicador de carga solar

Cuando el enCUBE1.8 se conecta a un panel solar, se iluminará el indicador de carga solar.

Indicador de carga de CA

El indicador de carga de CA se mostrará al conectarse con cualquier fuente de energía de CA.

Indicador de nivel de batería

El indicador de nivel de batería muestra la capacidad restante aproximada de la batería.

Indicador de salida USB

El indicador de USB se iluminará si las cargas de salida (dispositivos) se conectan a cualquiera de los puertos USB. Si no hay nada conectado a cualquiera de los puertos USB, se atenúa el indicador.

Indicador de salida de CA

Si una carga (dispositivo) se conecta a cualquier toma de CA, se iluminará el indicador de salida de CA. Si no hay cargas o dispositivos conectados a ninguna de las salidas de CA, se atenuará el indicador.

➤ **NOTA:** No habrá alimentación de salida CA si el inversor no está encendido.

Indicador de salida del encendedor de automóvil de CD

El indicador de salida del encendedor de automóvil de CD se iluminará si se conecta cualquier carga o dispositivo mayor a 1 amp al puerto del encendedor de automóvil de CD. Si no se conecta ninguna carga o dispositivo mayor a 1 amp en el puerto, el indicador se atenuará.

➤ **NOTA:** El indicador del encendedor de automóvil de CD no se iluminará si el enCUBE1.8 está apagado, pero seguirá habiendo corriente en el puerto del encendedor de automóvil de CD.

2. Panel de salida

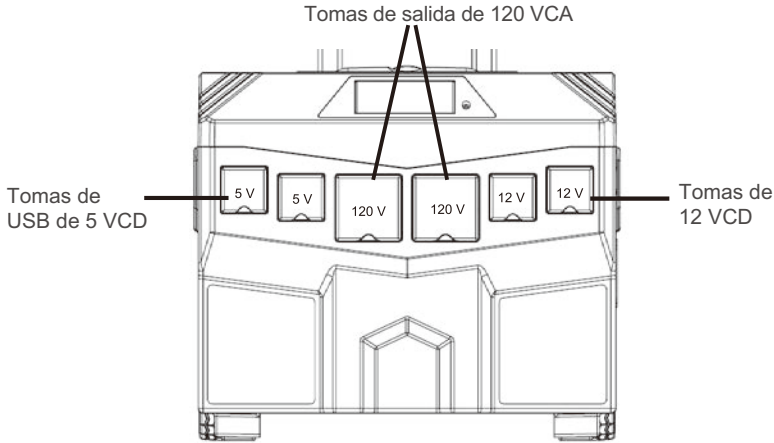


Figure 5 Panel de salida

El panel de salida contiene un total de seis tomas eléctricas:

- Dos salidas USB de 5 VCD proporcionan energía bien sea que el enCUBE1.8 esté encendido o no.
- Dos salidas de 120 VCA proporcionan 120 V / 60 Hz de potencia solo cuando el enCUBE1.8 está encendido.
- Dos salidas de encendedor de automóvil de 12 VCD proporcionan energía bien sea que el enCUBE1.8 esté encendido o no.

➤ **NOTA:** Si el voltaje de la batería del enCUBE1.8 es menor a 10.2 VCD, las salidas de USB y de 12 VCD se apagarán automáticamente.

3. Panel de entrada

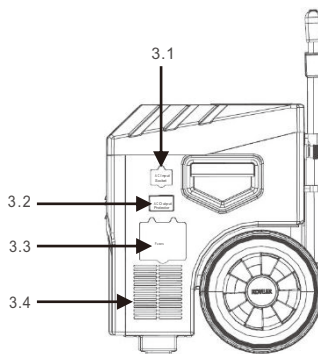


Figure 6 Panel de entrada

- 3.1 Interfaz de carga de CA:** conectarse a la fuente de 120 VCA de corriente alterna.
- 3.2 GFCI:** GFCI de 20 A integrado para salida de 120 VCA.

3.3 Juego de fusibles:

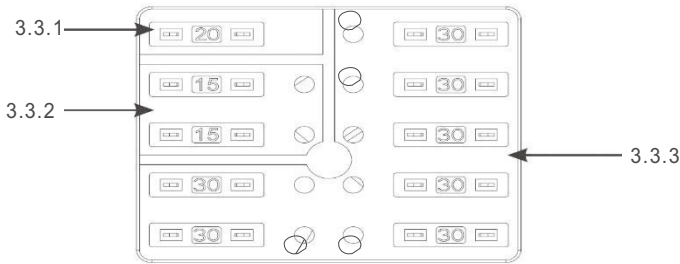


Figure 7 Fuseset

- 3.3.1 **Fusible de entrada solar:** uno de 20 A / 32 VCD.
- 3.3.2 **Fusibles de salida de encendedor de automóvil de CD:** dos de 15 A / 32 VCD.
- 3.3.3 **Fusibles de arranque:** siete de 30 A / 32 VCD.
- 3.4 **Salida de ventilación:** la salida de ventilación para el ventilador interior.

⚠ ADVERTENCIA: Mantenga siempre por lo menos 6 "(15 cm) de espacio vacío alrededor d todos los lados del gabinete del enCUBE1.8 para permitir el enfriamiento adecuado cuando la unidad está en funcionamiento.

4. Panel trasero

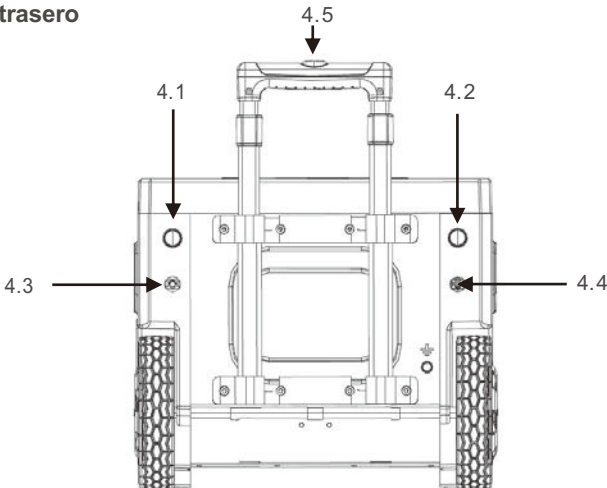


Figure 8 Panel trasero

4.1/4.2 Terminales de 12 CD:

Arranque un automóvil conectando la terminal roja positiva (+) y la terminal negra negativa (-) a la batería del automóvil.

4.3/4.3 Entrada de carga solar: Cargue la batería del enCUBE1.8 conectando la terminal roja positiva (+) y la terminal negra negativa (-) al panel solar.

4.5 Agarradera telescópica

Botón de liberación de la agarradera telescópica: Utilice su pulgar para presionar el botón de liberación y luego jale y extienda la agarradera telescópica (ver la siguiente ilustración).

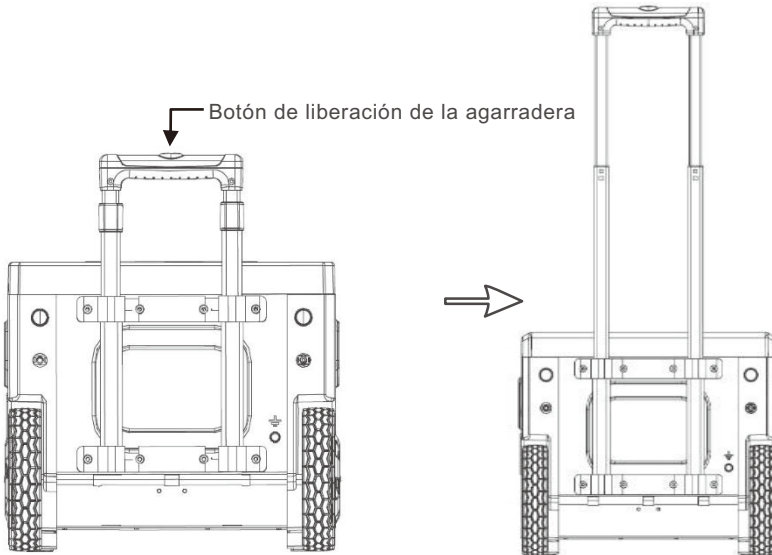
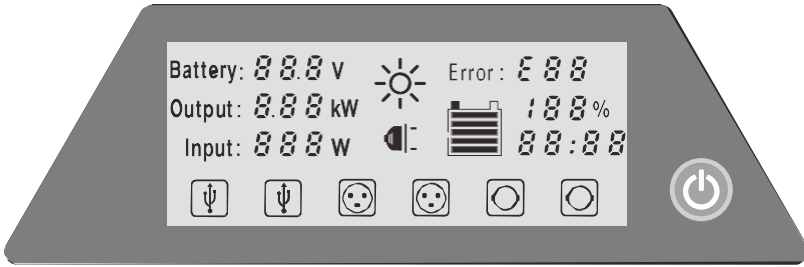


Figure9 Agarradera telescópica

1. Modo de trabajo

Modo de solo-salida – Cuando el enCUBE1.8 está en modo de solo-salida, ninguna fuente de entrada está conectada, pero hay cargas o dispositivos conectados al sistema. Para entrar en el modo de solo-salida, encienda el enCUBE1.8 manteniendo pulsado el botón de encendido/apagado (ON/OFF) durante aproximadamente medio segundo y suelte el botón cuando la unidad emita un bip.



La pantalla de auto-comprobación aparece cuando el enCUBE1.8 se enciende por primera vez



Pantalla de modo de solo-salida
Figure 10 Modo de solo-salida



La luz de fondo se atenúa automáticamente después de 10 segundos

Cuando el enCUBE1.8 está en el modo de solo-salida se muestran los siguientes indicadores como se calculó basándose en la potencia.

- Voltaje de la batería
- Potencia de salida
- Nivel de la batería
- Tiempo restante de trabajo


Cada vez que un dispositivo o carga se conecta o desconecta, el indicador de alimentación de salida relacionado se iluminará o atenuará, la luz de fondo se encenderá durante 5 segundos y sonará la alarma. Si el enCUBE1.8 detecta un error, la luz de fondo de la pantalla LCD se tornará roja y comenzará a parpadear. El código de error relevante se mostrará y el bip de alarma sonará cada segundo. Si el nivel del enCUBE1.8 cae por debajo de los 10.5 V, la unidad se apagará automáticamente.

Modo de solo-carga - La alimentación de entrada está conectada (de CA o solar) y no hay cargas o dispositivos de salida conectados.



Al conectarse con el panel solar o cualquier fuente de alimentación de corriente alterna, el enCUBE1.8 emitirá un bip y todos los indicadores sombreados se iluminarán durante aproximadamente tres segundos, la luz de fondo se encenderá durante diez segundos y luego se atenuará.

OPERACIÓN

Mientras se está en el modo de solo-carga, se mostrarán los siguientes indicadores:


- Voltaje de la batería 13.0 v
- Potencia de entrada 100 w
- Nivel de la batería 

Dependiendo de la fuente de la entrada de energía, también se iluminarán los indicadores de carga relacionados:



- Indicador de carga solar 
- Indicador de carga de CA 

Carga simultánea y modo de salida - Uno o más dispositivos o cargas están conectados a las tomas y una o más fuentes de alimentación de entrada están conectadas.

Mientras se está en carga simultánea y modo de salida, se mostrarán los siguientes indicadores:

- Voltaje de la batería 13.3 v
- Potencia de entrada 300 w
- Nivel de la batería 
- Potencia de salida 0.20 kW
- Tiempo de trabajo restante (según cálculo)

Dependiendo de las tomas que se utilicen, se iluminarán los indicadores relacionados:

- Indicador de salida de CA 
- Indicador de USB 
- Indicador de encendedor de automóvil de 12 VCD 

Dependiendo de las tomas que se utilicen, se iluminarán los indicadores relacionados

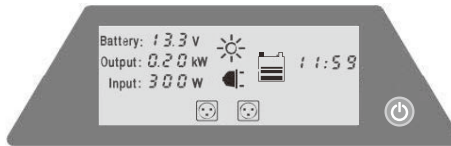


Figura 11 Carga simultánea y modo de salida con salida de corriente alterna
Dependiendo de las tomas que se utilicen, se iluminarán los indicadores relacionados:

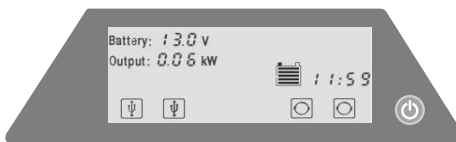


Figura 12 Carga simultánea y modo de salida con salida de USB y encendedor de automóvil

2. Recarga de enCUBE1.8

2.1 Opciones de carga

Existen dos opciones de carga posibles con el enCUBE1.8:

- Carga con el cargador de CA integrado.
- Carga con los paneles solares.

Carga con el cargador de CA integrado

Para usar el cargador de CA integrado, siga los siguientes pasos:

- 1) Inserte el cable del cargador de CA en una interfaz de carga de CA.
- 2) Conecte el cable del cargador de CA en una entrada de alimentación estándar de 120 VCA.

Mientras que el sistema se está cargando, el indicador de carga de CA se ilumina, la luz de fondo se encenderá durante cinco segundos y sonará la alarma. Una recarga completa puede tomar hasta 24 horas. El indicador de la batería mostrará el nivel de la batería durante la etapa de carga.

➤ **NOTA:** Las lecturas del indicador de nivel de la batería no será exacta hasta que las baterías hayan "descansado" durante 15 minutos después de la carga.

Carga con los paneles solares

Los paneles solares de 12 VCD capaces de producir un máximo de 20 A se pueden utilizar para cargar el enCUBE1.8 por medio de la entrada de carga solar.

Para cargar con paneles solares, siga estos pasos:

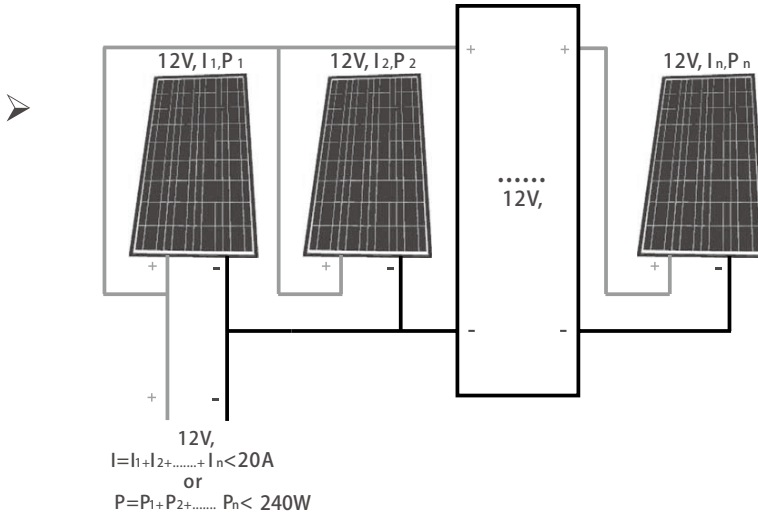
- 1) Conecte los cables solares en las entradas de carga solar (los conectores unidireccionales aseguran que la polaridad sea la correcta).
- 2) Conecte el otro extremo de los cables solares en la salida de los paneles solares.
- 3) Mientras que el sistema se está cargando, el indicador de carga solar se ilumina, la luz de fondo se encenderá durante cinco segundos y sonará la alarma.
- 4) Con la luz solar directa, un típico panel solar de 60 W puede tardar hasta 30 horas para recargar completamente el enCUBE1.8, dependiendo de la intensidad de la luz solar.
- 5) El indicador de la batería mostrará el nivel de la batería durante la etapa de carga.

¿Cómo expandir los paneles solares?

Se recomienda conectar los paneles solares en paralelo hasta 240 W para un sistema de 12 VCD para acortar el tiempo de carga. La corriente máxima de salida está limitada a 20 A.

Se recomienda usar multi-adaptadores (adaptador MC4-Y) para poner en paralelo los paneles solares conectados. Más información sobre los multi-adaptadores. póngase en contacto con KohlerPower.com.

OPERACIÓN



NOTA: Si la alimentación solar supera los 20 A se quemará el fusible de carga solar del enCUBE1.8

⚠ PRECAUCIÓN: Riesgo de daños a la batería

El uso de módulos solares amorfos o módulos de más de 12VCD puede dañar la batería.

2.2 Autodescarga de la batería y vida útil

Todas las baterías recargables se descargan poco a poco cuando se dejan inactivas. Se requiere una carga periódica para mantener la capacidad máxima de la batería. El cargador de CA integrado en el enCUBE1.8 regula el proceso de carga, asegurando que la batería esté siempre completamente cargada, pero nunca sobrecargada.

⚠ PRECAUCIÓN: Riesgo de daños a la batería

Debido a la autodescarga inherente, las baterías de plomo y ácido deben ser cargadas por lo menos cada tres (3) meses, sobre todo en un ambiente cálido. Dejar una batería en un estado descargado, o no recargarla cada 3 meses, puede causar un daño permanente a la batería.

⚠ PRECAUCIÓN: Riesgo de daños a la batería

No intente cargar la batería del enCUBE1.8 si está congelada. Una batería congelada se debe calentar gradualmente a 32°F (0°C) antes de cargarla.

TIEMPO ESTIMADO DE OPERACIÓN DE LA UNIDAD

La salida de 120 VCA del enCUBE1.8 se puede utilizar para hacer funcionar aparatos eléctricos tales como lámparas, computadoras, herramientas eléctricas, etc.

La salida de 5VCD de la USB puede suministrar energía a teléfonos celulares y productos digitales tales como reproductores MP3, tablets, etc.

La salida de 12 VCD de la toma del encendedor del automóvil puede suministrar energía a los aparatos eléctricos que utilizan 12 VCD.

Tiempo de trabajo de la carga: utilizando la batería de 100 Ah como ejemplo (estos datos son sólo de referencia).

	Requisitos de energía	Aproximado Duración (horas) *
Casa		
Refrigerador Congelado	1,400	14
50" Televisión	238	8.5
Congelador (7 cu. Ft)	204	19
Microondas	1,350	1
Bulbo LED	23	53
Maquina de café	900	40 tazas (8 Oz)
Computadora portátil	90	60
Hierro (para ropa)	1,440	1
Trabajo		
18V batería	43	~20 recargas
Divertido		
50" Televisión	238	8.5
Olla electrica	295	6.5
Ventilador de mesa	40	66

* Basado en pruebas internas . Los resultados reales pueden variar dependiendo de su equipo, el uso y la edad de la

GUÍA DE RESOLUCIÓN DE PROBLEMAS

Esta sección le ayudará a identificar rápidamente el origen de la mayoría de los problemas que puede presentar el enCUBE1.8.

Si usted tiene un problema con el enCUBE1.8, por favor revise este capítulo antes de ponerse en contacto con el departamento de atención al cliente.

Si usted no puede resolver un problema y necesita ponerse en contacto con el departamento de atención al cliente, registrar los detalles en la portada del manual.

Códigos de error

Los siguientes códigos de error pueden aparecer en la pantalla LCD si se producen las fallas descritas.

Tabla 1 Códigos de error para resolver problemas del enCUBE1.8

Código de error mostrado	Descripción del error	Descripción del problema	Solución
E01	Desconexión por bajo voltaje de la alimentación de CD	<p>La unidad se apaga.</p> <p>El voltaje de entrada ha caído por debajo del límite del voltaje de operación de 10.7 VCD.</p> <p>Una alarma continúa sonando una vez cada segundo hasta que el voltaje de entrada cae a 10.5 VCD.</p> <p>La luz de fondo se torna roja y parpadea.</p> <p>Después de que la alarma continúa durante un minuto, la luz de fondo y la alarma se apagarán.</p> <p>Solo el código de error se mostrará continuamente.</p>	<p>La unidad se reseteará automáticamente una vez que se elimine la condición de falla.</p> <p>Si esta condición no se corrige y la unidad se apaga por completo, será necesario pulsar el botón ON/OFF para encender la unidad de nuevo.</p> <p>Cargue la batería inmediatamente.</p>
E02	Desconexión por sobre-voltaje de la alimentación de CD	<p>La unidad se apaga.</p> <p>El voltaje de entrada es superior a 15.5 VCD.</p> <p>La luz de fondo se torna roja y parpadea.</p> <p>Después de que la alarma continúa durante un minuto, la luz de fondo y la alarma se apagarán.</p> <p>Solo el código de error se mostrará continuamente.</p>	<p>La unidad se reseteará automáticamente una vez que se elimine la condición de falla.</p> <p>Revise si el voltaje de entrada de CD supera el rango de voltaje de entrada.</p>

GUÍA DE RESOLUCIÓN DE PROBLEMAS

E03	Desconexión por sobrecarga de la salida de CA y desconexión por cortocircuito de la salida de CA	<p>La unidad se apaga. Una carga de CA aplicada al sistema en el modo de invertidor está por encima del límite de operación. La luz de fondo parpadeante cambia de color rosa a rojo. Después de que la alarma continúa durante un minuto, la luz de fondo y la alarma se apagarán. Solo el código de error se mostrará continuamente.</p>	<p>Elimine el exceso de cargas de CA. Reseteo la unidad, en caso de requerirse. Para resetear la unidad, apáguela y vuélvala a encender.</p>
E04	Desconexión por sobre-temperatura del sistema	<p>La unidad se apaga. La temperatura interna del sistema está por encima del límite de operación. La alarma continuará sonando una vez cada segundo. La luz de fondo parpadeante cambia de color rosa a rojo. Después de que la alarma continúa durante un minuto, la luz de fondo y la alarma se apagarán. Solo el código de error se mostrará continuamente.</p>	<p>Elimine el exceso de cargas de CA. Reseteo la unidad, en caso de requerirse. Para resetear la unidad, apáguela y vuélvala a encender. Revise la ventilación del sistema y reduzca la carga aplicada al sistema.</p>
E05	Advertencia por bajo voltaje de la alimentación de CD	<p>El sistema sigue funcionando pero el voltaje de entrada ha caído demasiado cerca del límite de desconexión (11.0 a 10.7 VCD). La luz de fondo se torna de color rosa y parpadea.</p>	<p>La unidad sigue funcionando. Si se ignora la advertencia, el enCUBE1.8 entrará eventualmente en la condición de falla E01.</p>
E06	Advertencia de sobrecarga de salida de CA	<p>El sistema sigue funcionando, pero la carga de corriente alterna aplicada al sistema es excesiva y puede ocasionar que el enCUBE1.8 se apague. La luz de fondo se torna de color rosa y parpadea.</p>	<p>La unidad sigue funcionando. Si se ignora la advertencia, la unidad entrará eventualmente en la condición de falla E03.</p>

GUÍA DE RESOLUCIÓN DE PROBLEMAS

E07	Advertencia por sobre-temperatura del sistema	El sistema sigue funcionando, pero la temperatura interna del sistema está cerca del límite de desconexión. La luz de fondo se torna de color rosa y parpadea.	La unidad sigue funcionando. Si se ignora la advertencia, la unidad entrará eventualmente en la condición de falla E04.
E08	El fusible del puerto #1 del encendedor del automóvil está quemado	La corriente directa de salida del encendedor del automóvil es mayor a 15 A. La luz de fondo se torna de color rosa y parpadea. La alarma continúa hasta que se cambie el fusible.	Reduzca la carga de la salida de corriente directa del encendedor. Reemplace el fusible.
E09	El fusible del puerto #2 del encendedor del automóvil está quemado	La corriente directa de salida del encendedor del automóvil es mayor a 15 A. La luz de fondo se torna de color rosa y parpadea. La alarma continúa hasta que se cambie el fusible.	Reduzca la carga de la salida de corriente directa del encendedor. Reemplace el fusible.
E10	Los fusibles de los puertos #1 y #2 del encendedor del automóvil están quemados	La corriente directa de salida del encendedor del automóvil es mayor a 15 A. La luz de fondo se torna de color rosa y parpadea. La alarma continúa hasta que se cambien los fusibles.	Reduzca la carga de la salida de corriente directa del encendedor. Reemplace el fusible.

➤ **NOTA:** Si ocurren diferentes errores al mismo tiempo, se mostrarán con alta prioridad los errores E08, E09 y E10. Los otros códigos de error se mostrarán únicamente después de que se resuelva el error de más alta prioridad y el sistema se reinicie.

ESPECIFICACIONES

Este capítulo contiene especificaciones eléctricas del enCUBE1.8

Invertidor

Parámetros	Invertidor
Rango de voltaje de entrada	10.7 - 15.5 VDC
Voltaje nominal de entrada	12.5 VDC
Corriente máxima de entrada	190 A
Voltaje de salida (sin carga)	120 VAC / ± 5 VAC
Frecuencia de salida	60 Hz / ± 1 Hz
Potencia de salida continua	1440 W
Potencia máxima de salida	1800 W
Corriente de salida continua	12 A
Índice de subida	3600 W
Sobrecorriente	30 A
Forma de onda de salida	Onda sinusoidal modificada
Eficiencia de salida de invertidor	> 85%
Temperatura de almacenamiento	La temperatura ideal de operación es menor a 77°F (25°C)
Protección	batería baja apagado, protección de alta temperatura, protección contra sobrecarga, protección del cortocircuito, protección GFCI

Cargador integrado

Parámetros	Cargado de entrada de CA
Rango de voltaje de entrada de CA	90 - 130 VAC
Voltaje nominal de entrada de CA	120 VAC

ESPECIFICACIONES

Potencia máxima de carga	80 W /±10 W	
Frecuencia de entrada de CA	60 Hz /± 1 Hz	
Voltaje de salida	Masivo	14.7 VDC /± 0.2 VDC
	Flotación	13.7 VDC /± 0.2 VDC
	Recarga	12.6 VDC /± 0.2 VDC
Proceso de carga	Proceso de carga de tres etapas: <ul style="list-style-type: none"> • Etapa masiva • Etapa de absorción • Etapa de flotación 	
Eficiencia de intercambio	> 75%	
Protección	Protección de entrada limitada de alta temperatura	

Cargador solar

Parámetros	Cargador solar	
Rango de voltaje de entrada solar	10 - 24.5 VDC	
Corriente máxima de salida	20 A	
Voltaje de salida	Masivo	14.7 VDC /± 0.2 VDC
	Flotación	13.7 VDC /± 0.2 VDC
	Recarga	12.6 VDC /± 0.2 VDC
Proceso de carga	Proceso de carga de tres etapas: <ul style="list-style-type: none"> • Etapa masiva • Etapa de absorción • Etapa de flotación 	
Eficiencia de intercambio	> 95%	
Protección	Un fusible de 20 A / 32 VCD que protege la terminal de entrada de CD	

REEMPLAZO E INSTALACIÓN DE LA BATERÍA

Utilice solo baterías que cumplan con los siguientes criterios:

- a. Tipo de batería: AGM sellada de plomo y ácido.
- b. Voltaje nominal: 12 VCD.
- c. Capacidad: 60 Ah o 80 Ah o 90 Ah o 100 Ah.
- d. La batería debe cumplir con la norma UL1989.
- e. Al instalar la batería, asegúrese de que las conexiones de polaridad sean correctos.

➤ **NOTA:** La batería se debe recargar inmediatamente una vez comprada.

Todas las baterías recargables se descargan poco a poco cuando se dejan sin usar. Se requiere una carga periódica para mantener la capacidad máxima de la batería.

⚠ ADVERTENCIA: Estudie con antelación las precauciones y advertencias específicas de todos los fabricantes de baterías antes del montaje. Una conexión incorrecta puede causar un cortocircuito y lesiones personales. Siga todas las directrices recomendadas. Consulte la página 24 para obtener mayor información recomendada.

⚠ PRECAUCIÓN: Riesgo de explosión si la batería se sustituye por una de tipo incorrecto. Deseche adecuadamente la batería usada. No incinere una batería. La batería podría explotar.

⚠ PRECAUCIÓN: El servicio a la batería solo debe ser efectuado por un centro de servicio autorizado de fábrica. Al reemplazar la batería, sustituya con el mismo tipo de batería.

⚠ PRECAUCIÓN: No abra ni corte la batería. El producto químico liberado es perjudicial para la piel y los ojos y es tóxico.

⚠ PRECAUCIÓN: Una batería puede presentar un riesgo de descarga eléctrica. Se deben observar las siguientes precauciones cuando se trabaja en la batería:

- 1) Retírese relojes, anillos y otros objetos metálicos.
- 2) Usar herramientas con mangos aislados.
- 3) Utilice guantes y botas de hule.
- 4) No coloque herramientas ni partes metálicas encima de la batería.
- 5) Desconecte la fuente de carga antes de conectar o desconectar las terminales de la batería.
- 6) Determine si la batería está conectada a tierra inadvertidamente. Si está conectada a tierra inadvertidamente, quite la fuente de la conexión a tierra. El contacto con cualquier parte de una batería conectada a tierra puede provocar una descarga eléctrica. La probabilidad de tal descarga puede reducirse si se eliminan las fuentes de conexión a tierra durante la instalación y el mantenimiento.

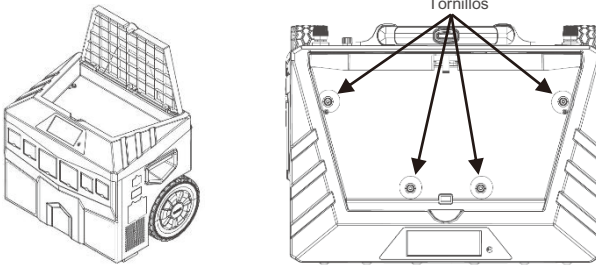
¿Qué se requiere para la instalación?

- Desarmador Phillips
- Desarmador plano pequeño
- Cinta eléctrica

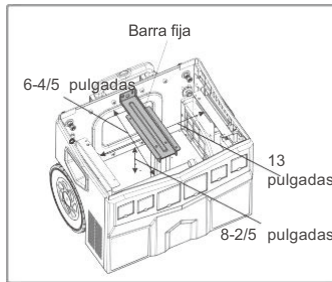
REEMPLAZO E INSTALACIÓN DE LA BATERÍA

Los pasos para cambiar la batería son los siguientes:

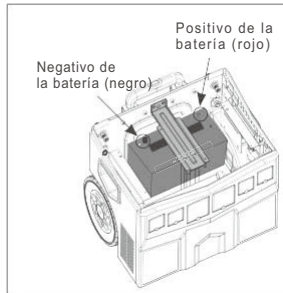
1) Saque los cuatro tornillos y abra la cubierta superior.



2) Retire la barra fija que asegura la batería.



3) Retire la conexión del cable POSITIVO (ROJO) de la batería y envuelva la terminal del cable con la cinta eléctrica.



4) Retire la conexión del cable NEGATIVO (NEGRO) de la batería y envuelva la terminal del cable con la cinta eléctrica.

5) Retire la batería.

6) Coloque la nueva batería y póngala en la posición correcta. Si la nueva batería es más pequeña que la anterior, coloque la nueva batería en la posición central. Esto ayudará a estabilizar el centro de gravedad de la unidad, por lo que será más fácil de jalar corriente.

7) Confirme que las terminales positiva y negativa de las baterías están alineadas con las terminales positivas y negativas del enCUBE1.8.

REEMPLAZO E INSTALACIÓN DE LA BATERÍA

8) Desenvuelva la terminal POSITIVA (ROJA), conecte los cables a la terminal POSITIVA (ROJA) de la batería y apriete.

9) Desenvuelva la terminal NEGATIVA (NEGRA), conecte los cables a la terminal NEGATIVA (NEGRA) de la batería y apriete.

DESECHO DE LA BATERÍA USADA

Las baterías contienen materiales que son peligrosos para el sistema inmunológico, tales como el mercurio, que pueden conducir a daños a la salud.

Almacenamiento y desecho inadecuados de la batería:

A continuación se lista lo que no se debe hacer con las baterías:

- No entierre las baterías.
- No queme las baterías.
- No las guarde con metal u otros tipos diferentes de baterías.

Almacenamiento y desecho adecuados de la batería: Almacenamiento

Las baterías no utilizadas contienen las mismas sustancias químicas que las baterías usadas, por lo que presentan el mismo peligro de contaminación y fuego. Si una batería entra en contacto con otro objeto, en particular de metal, o con objetos que contienen humedad, se incrementa la posibilidad de que la batería presente fugas de ácido u ocasione un incendio. Es importante guardar las baterías (nuevas y usadas) en un área limpia, seca y cerrada con sus terminales protegidas del contacto con otros objetos.

Desecho

Hay varias opciones para desechar correctamente las baterías usadas:

- Devuelva la batería al lugar de compra.
- La mayoría de las tiendas que venden baterías de automóviles también las aceptan para su reciclaje. Puede haber una cuota por este servicio.
- Un reciclador de metal puede pagarle por su batería del coche. Busque en la Sección Amarilla o por Internet en "Centros de Reciclaje" para obtener una lista de los recicladores de metal en su área.

TABLE DES MATIÈRES

Introduction	50
Mesures de sécurité	51
Fonctionnalités	54
Panneau de commande du système	54
Panneau de sortie	57
Panneau d'entrée	57
Panneau arrière	58
Fonctionnement	60
Mode de fonctionnement	60
Rechargement	62
Options de chargement	62
Extension des panneaux solaires	62
Autodécharge et durée de conservation de la batterie	63
Durée de fonctionnement estimée de l'unité	64
Dépannage	65
Caractéristiques techniques	68
Emplacement et installation de la batterie	70
Mise au rebut de la batterie usagée	72

INTRODUCTION

Merci d'avoir acheté le générateur enCUBE1.8. Il s'agit d'un système alimenté par batterie pouvant générer une alimentation électrique allant jusqu'à 1 800 W. Ce centre d'énergie mobile permet de nombreuses utilisations, notamment l'alimentation récréative, l'alimentation de secours et l'alimentation destinée à la productivité.

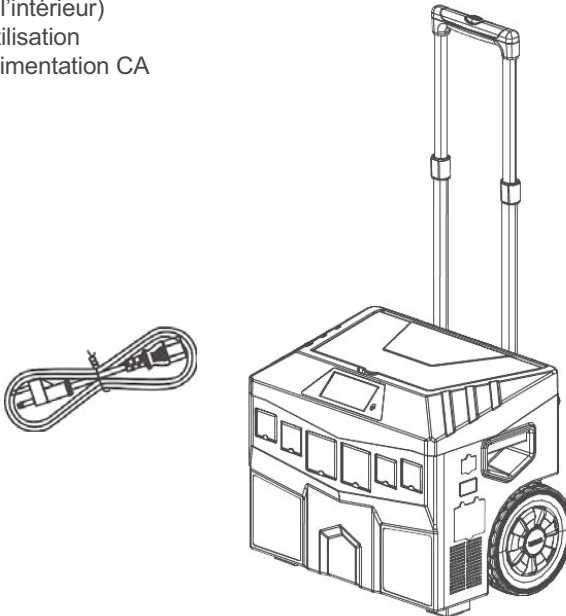
Caractéristiques techniques

- Alimentation de 120 VCA, 12 VCC et 5 VCC n'importe où
- Onduleur de 1 800 W inclus
- Batterie AGM interne scellée de 100 Ah incluse
- Poignée rétractable pour une mobilité pratique
- Protection contre les températures élevées, la surcharge et les courts-circuits
- Alarme de batterie faible et mise hors tension automatique
- Écran ACL de 4 po affichant des données précises
- 2 prises pour allume-cigare de 12 VCC
- 2 prises de 120 VCA avec disjoncteur différentiel (GFCI) intégré
- 2 prises USB de 5 VCC
- Bornes de 12 VCC (positive et négative)
- Tableau de fusibles de type automobile

Contenu de l'emballage

Le carton du générateur enCUBE1.8 contient les éléments suivants :

- Générateur enCUBE1.8 (la batterie AGM scellée de 100 Ah est assemblée au préalable à l'intérieur)
- Manuel d'utilisation
- Cordon d'alimentation CA



MESURES DE SÉCURITÉ

⚠ **DANGER** : risque provoquant des blessures graves voire mortelles, ou d'importants dommages matériels.

⚠ **AVERTISSEMENT** : risque pouvant provoquer des blessures graves voire mortelles, ou d'importants dommages matériels.

⚠ **ATTENTION** : risque pouvant provoquer des blessures légères ou des dommages matériels mineurs.

REMARQUE : sert à communiquer aux utilisateurs d'importantes informations sur l'installation, le fonctionnement et l'entretien.

Lisez attentivement ce manuel avant d'utiliser la machine. En cas de revente, la machine doit être vendue avec le présent manuel.

	<p>⚠ AVERTISSEMENT</p> <p>Les pièces rotatives peuvent provoquer des blessures graves.</p>
<p>Tenez-vous à l'écart du générateur lorsqu'il est en fonctionnement. Gardez les mains, les pieds, les cheveux et les vêtements à l'écart de toutes les pièces en mouvement pour éviter les blessures. N'utilisez jamais le générateur si les couvercles, les enveloppes ou les protections sont retirés.</p>	

	<p>⚠ ATTENTION</p> <p>Les chocs électriques peuvent provoquer des blessures.</p>
<p>Ne touchez pas les câbles lorsque le générateur est en fonctionnement. N'utilisez jamais le générateur sous la pluie ou la neige. Ne touchez jamais le générateur avec les mains humides, car cela risque de provoquer des chocs électriques.</p>	

	<p>⚠ AVERTISSEMENT</p> <p>Les démarrages accidentels peuvent provoquer des blessures graves voire mortelles. Débranchez et mettez à la terre les câbles d'allumage avant toute réparation.</p>
<p>Avant d'effectuer une réparation sur le générateur ou l'appareil, désactivez le moteur comme suit :</p> <ol style="list-style-type: none"> 1) Débranchez les câbles d'allumage. 2) Débranchez le câble négatif (-) de la batterie. <p>Ne laissez pas les enfants utiliser le générateur.</p>	

	<p>⚠ AVERTISSEMENT</p> <p>Les pièces chaudes peuvent provoquer des brûlures graves.</p>
<p>Ne touchez pas le générateur en fonctionnement ou juste après son arrêt. N'utilisez jamais le générateur si les protecteurs thermiques sont retirés. Ne modifiez pas le générateur. Placez le générateur dans un endroit où les piétons et les enfants ne sont pas susceptibles de le toucher. Assurez-vous de porter le générateur uniquement au moyen des poignées de transport.</p>	

	<p>⚠ AVERTISSEMENT</p> <p>Tension dangereuse.</p>
<p>Un retour d'énergie vers le système peut provoquer des dommages matériels ou des blessures graves voire mortelles. Ne branchez jamais un générateur portable directement à la prise d'un bâtiment. Si le générateur est utilisé pour une alimentation de secours, demandez à un électricien certifié et agréé d'installer un commutateur de transfert automatique afin d'éviter les interconnexions accidentelles de sources d'alimentation normales et de secours. Un conducteur permanent est installé entre le générateur (enroulement statorique) et le châssis.</p>	

Une mauvaise utilisation du générateur enCUBE1.8 peut blesser l'utilisateur ou endommager le matériel. Assurez-vous de lire, de comprendre et de respecter tous les énoncés ATTENTION et AVERTISSEMENT contenus dans ce manuel.

Les énoncés ATTENTION identifient des conditions ou pratiques pouvant endommager le générateur enCUBE1.8 ou un autre appareil. Les énoncés AVERTISSEMENT identifient des conditions pouvant provoquer des blessures physiques pouvant être mortelles.

Ce chapitre contient d'importantes instructions relatives au fonctionnement et à la sécurité. Lisez et conservez ce manuel d'utilisation pour vous y reporter ultérieurement.

Avant d'utiliser le générateur enCUBE1.8, lisez toutes les instructions et les avertissements indiqués sur le générateur enCUBE1.8 et toutes les sections appropriées du présent guide.

AVERTISSEMENT : limites d'utilisation

Le générateur enCUBE1.8 n'est pas prévu pour une utilisation avec des systèmes de maintien des fonctions vitales ou d'autres équipements ou dispositifs médicaux.

AVERTISSEMENT : risque de chocs ou d'incendie

Le générateur enCUBE1.8 génère la même alimentation CA potentiellement mortelle qu'une prise murale domestique. Veillez à l'utiliser prudemment, comme toute prise murale CA normale.

N'insérez pas de corps étrangers dans les prises CA du générateur enCUBE1.8, dans sa prise électrique CC ou dans les orifices de ventilation. Ne retirez pas les couvercles des bornes CC d'alimentation, sauf pour brancher des câbles.

Ne branchez sous aucun prétexte la prise CA du générateur enCUBE1.8 au système de câblage de distribution CA électrique.

Le non-respect des instructions de sécurité ci-dessus peut causer des blessures physiques ou endommager le générateur enCUBE1.8.


AVERTISSEMENT: risque de chocs électriques

N'utilisez pas le générateur enCUBE1.8 dans des endroits contenant des émanations ou des gaz inflammables, par exemple dans le fond de cale d'un bateau alimenté par de l'essence ou près de réservoirs de propane. N'utilisez pas le générateur enCUBE1.8 dans une zone fermée contenant des batteries au plomb de type automobile. Ces batteries, contrairement au bloc-batterie scellé du générateur enCUBE1.8, émettent des gaz d'hydrogène explosifs, pouvant s'enflammer au contact des étincelles générées par les branchements électriques.

Lorsque vous utilisez un appareil électrique, assurez-vous d'être accompagné d'une personne qui peut vous aider en cas d'urgence.

AVERTISSEMENT : risque de chaleur

Les composants de l'onduleur interne du générateur enCUBE1.8 peuvent chauffer de manière inquiétante, pouvant atteindre 60 °C (140 °F) lors d'une utilisation prolongée. Assurez-vous de laisser un espace de 15 cm (6 po) minimum autour et au-dessus du générateur enCUBE1.8 pour laisser passer l'air. Lors du fonctionnement, éloignez-le de tout élément pouvant s'enflammer en raison de températures élevées, par exemple des couvertures, des oreillers, des sacs de couchage, etc.

 **ATTENTION** : n'utilisez pas ce système dans des environnements dont la température ambiante de l'air dépasse 40 °C (104 °F).


Précautions relatives à l'utilisation d'appareils rechargeables

Les appareils alimentés par des batteries rechargeables utilisent, pour la plupart, un chargeur à part ou un transformateur branché à une prise CA, et produisent une sortie de chargement à faible tension. Certains chargeurs destinés à de petites batteries rechargeables peuvent être endommagés s'ils sont branchés au générateur enCUBE1.8.

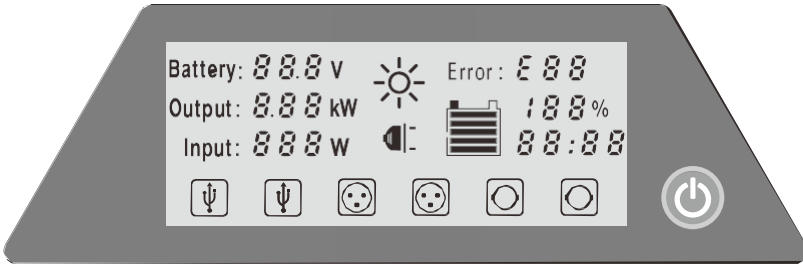
Mise en garde : endommagement des appareils

Le générateur enCUBE1.8 génère de l'électricité sinusoïdale modifiée, différente de l'électricité sinusoïdale pure fournie par le réseau électrique public. Certains types d'équipement de charge peuvent être endommagés par l'électricité sinusoïdale modifiée. Voici des exemples :

- Appareils alimentés par de petites batteries, comme les lampes de poche, les rasoirs ou les veilleuses pouvant être branchés directement dans une prise CA pour les recharger.
- Les contrôleurs de vitesse installés dans les ventilateurs, les outils électriques, les appareils électroménagers et d'autres charges peuvent être endommagés.
- Les appareils d'éclairage aux halogénures (MHI) peuvent être endommagés.

 **IMPORTANT** : si vous avez des doutes sur l'utilisation de votre appareil avec le générateur enCUBE1.8, communiquez avec le fabricant de l'appareil pour déterminer la présence de tensions élevées au niveau des bornes de la batterie ou pour savoir si l'appareil permet l'utilisation de transformateurs.

1. Panneau de commande du système

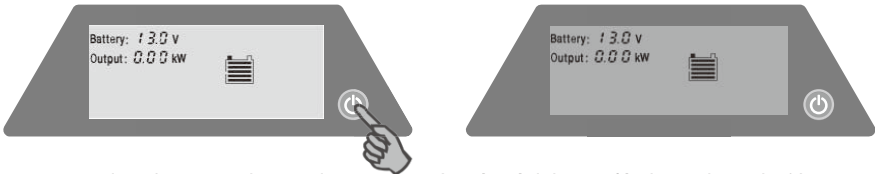


Appuyez sur le bouton ON/OFF (Marche/Arrêt) pendant 0,5 seconde : mode de test autonome
(Remarque : la couleur réelle de l'écran est bleue)

Figure 1 Panneau de commande

Mise sous tension

Indique le fonctionnement des prises CA. Lorsque l'unité est arrêtée, toutes les prises de sortie CC sont SOUS TENSION.



Appuyez pendant 0,5 seconde : mode onduleur Le rétroéclairage s'éteint au bout de 10 secondes

Figure 2 Mise sous tension du générateur enCUBE1.8

Mise hors tension

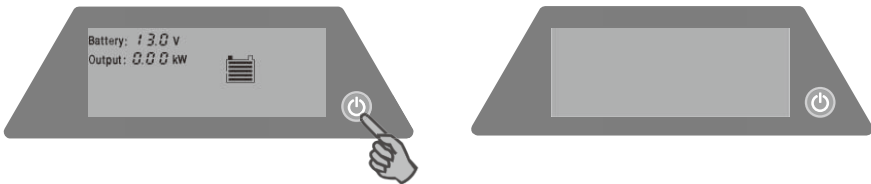


Figure 3 Mise hors tension du générateur enCUBE1.8 (appuyez pendant 0,5 seconde)

Rétroéclairage de l'écran ACL

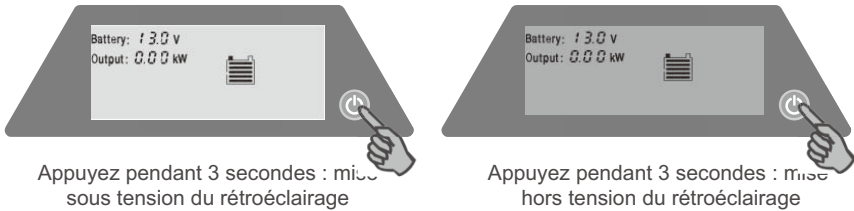


Figure 4 Marche/arrêt du rétroéclairage

Pour reprogrammer le rétroéclairage de manière à le mettre hors tension automatiquement, répétez la procédure ci-dessus.

Détails des données affichées

Batterie :

L'indicateur de la batterie affiche le niveau de tension actuel de la batterie. La tension de la batterie est affichée en volts CC.

Sortie :

L'indicateur de sortie affiche la puissance totale produite par l'onduleur CA ou les bornes CC.

Entrée :

L'indicateur d'entrée affiche la puissance totale qui entre dans le générateur enCUBE1.8 depuis les panneaux solaires ou le chargeur CA.

Erreur :

L'indicateur d'erreur affiche un code d'erreur, le cas échéant (voir page 65-67).

Indicateur de temps restant :

L'indicateur temps restant affiche le montant attendu de temps la batterie durera basé sur l'utilisation actuelle

MISE EN GARDE : la durée restante est calculée pour une batterie de 100 Ah. Vous remarquerez une différence entre l'affichage et la durée de fonctionnement réelle.

Indicateur de la capacité de la batterie :

L'indicateur temps restant affiche le montant attendu de temps la batterie durera basé sur l'utilisation actuelle

➤ **MISE EN GARDE** : si le code d'erreur « E05 » s'affiche, il est important de recharger l'unité à l'aide du chargeur CA ou des panneaux solaires.

Indicateur de chargement solaire

Lorsque le générateur enCUBE1.8 est branché à un panneau solaire, l'indicateur de chargement solaire est allumé.

Indicateur de chargement CA

L'indicateur de chargement CA est affiché en cas de branchement à des sources d'alimentation CA.

Indicateur de niveau de batterie

L'indicateur de niveau de la batterie affiche la capacité restante approximative de la batterie.

Indicateur de sortie USB

L'indicateur de sortie USB est allumé si des charges de sortie (dispositifs) sont connectées à l'un des ports USB. Si aucun dispositif n'est connecté aux ports USB, l'indicateur est éteint.

Indicateur de sortie CA

Si une charge (dispositif) est connectée à une prise CA, l'indicateur de sortie CA s'allume. Si aucune charge (aucun dispositif) n'est connectée aux prises CA, l'indicateur est éteint.

➤ **MISE EN GARDE** : aucune alimentation de sortie CA n'est générée si l'onduleur n'est pas mis sous tension.

Indicateur de sortie d'allume-cigare CC

L'indicateur de sortie d'allume-cigare CC s'allume si une charge/un dispositif ayant une puissance supérieure à 1 A est branché(e) au port de l'allume-cigare CC. Si aucune charge/aucun dispositif ayant une puissance supérieure à 1 A n'est branché(e) au port, l'indicateur est éteint.

➤ **MISE EN GARDE** : l'indicateur d'allume-cigare CC ne s'allume pas si le générateur enCUBE1.8 est mis hors tension, mais une alimentation est toujours générée au niveau du port de l'allume-cigare CC.

2. Panneau de sortie

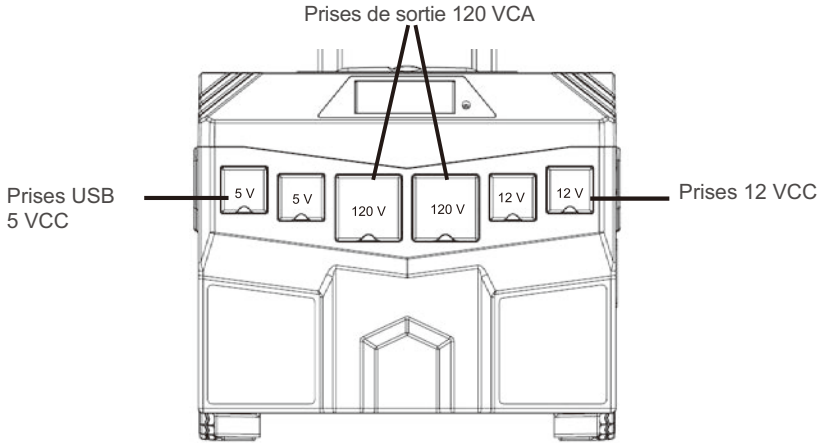


Figure 5 Panneau de sortie

Le panneau de sortie contient un total de six prises électriques :

- Deux prises USB de 5 VCC génèrent une alimentation, que le générateur enCUBE1.8 soit mis sous tension ou non.
- Deux prises 120 VCA génèrent une alimentation de 120 V/60 Hz uniquement lorsque le générateur enCUBE1.8 est mis sous tension.
- Deux prises d'allume-cigare 12 VCC génèrent une alimentation, que le générateur enCUBE1.8 soit mis sous tension ou non.

➤ **MISE EN GARDE** : si la tension de batterie du générateur enCUBE1.8 est inférieure à 10,2 VCC, les prises USB et 12 VCC sont désactivées automatiquement.

3. Panneau d'entrée

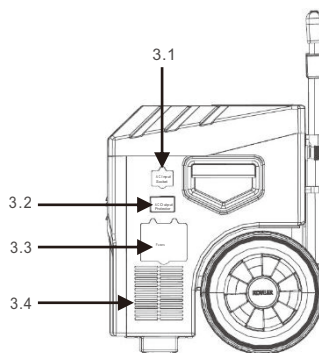


Figure 6 Panneau d'entrée

- 3.1 Interface de chargement CA** : branchez à la source d'alimentation CA de 120 V.
- 3.2 GFCI** : disjoncteur différentiel de 20 A intégré pour sortie de 120 VCA.

3.3 Jeu de fusibles :

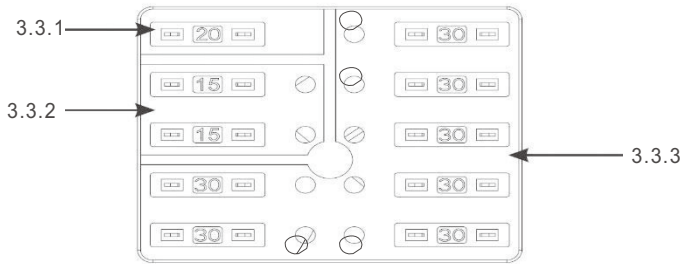


Figure 7 Jeu de fusibles

3.3.1 Fusible d'entrée solaire : un fusible de 20 A/32 VCC.

3.3.2 Fusibles de sortie d'allume-cigare CC : deux fusibles de 15 A/32 VCC.

3.3.3 Fusibles de démarrage de secours : sept fusibles de 30 A/ 32 VCC.

3.4 Ventilation : ventilation du ventilateur interne.

⚠ AVERTISSEMENT : laissez toujours un espace de 15 cm (6 po) minimum tout autour du châssis du générateur enCUBE1.8 pour laisser passer l'air et permettre un refroidissement approprié lorsque l'unité est en fonctionnement.

4. Panneau arrière

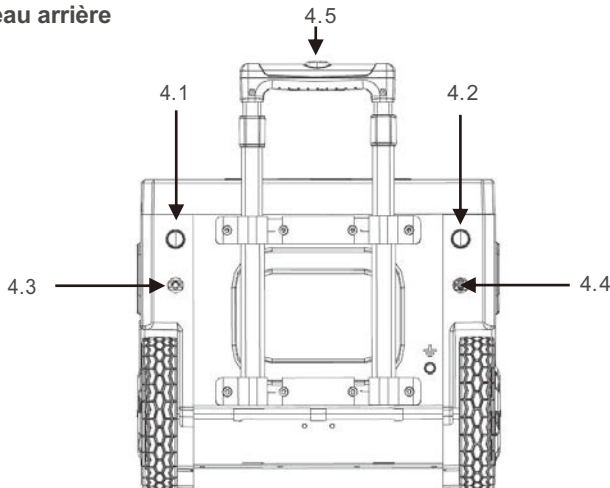


Figure 8 Panneau arrière

4.1/4.2 Bornes 12 VCC : effectuez un démarrage de secours sur un véhicule en connectant les bornes positive rouge (+) et négative noire (-) à la batterie du véhicule.

4.3/4.3 Entrée de chargement solaire : chargez la batterie du générateur enCUBE1.8 en connectant les bornes positive rouge (+) et négative noire (-) au panneau solaire.

4.5 Poignée télescopique

Bouton de déclenchement de la poignée télescopique : utilisez le pouce pour appuyer sur le bouton de déclenchement, puis tirez pour allonger la poignée télescopique (voir l'illustration ci-dessous).

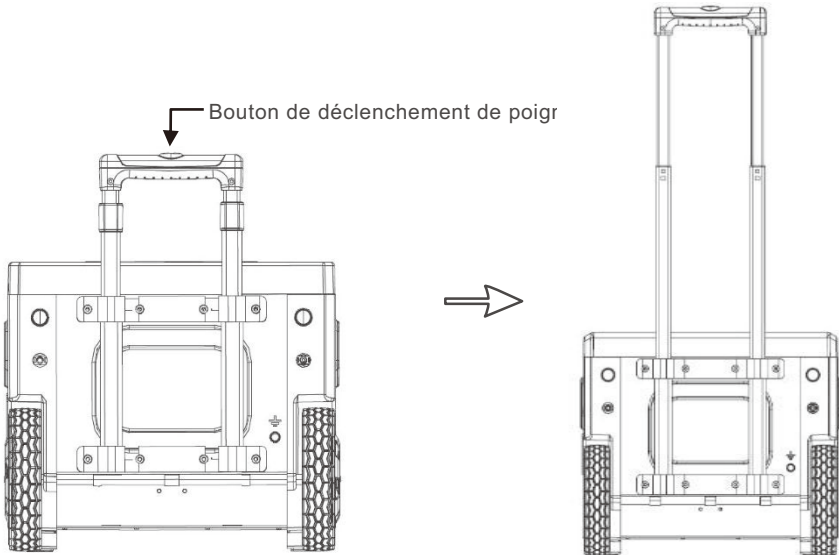
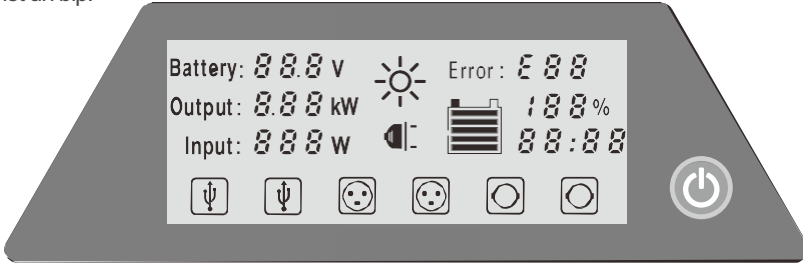


Figure9 Poignée télescopique

1. Mode de fonctionnement

Mode sortie uniquement : lorsque le générateur enCUBE1.8 est en mode sortie uniquement, aucune alimentation d'entrée n'est connectée, mais des charges/dispositifs sont connecté(e)s au système. Pour entrer en mode sortie uniquement, mettez sous tension le générateur enCUBE1.8 en appuyant sur le bouton ON/OFF (marche/arrêt) et en le maintenant enfoncé pendant environ 0,5 seconde, puis relâchez le bouton lorsque l'unité émet un bip.



L'écran de test automatique s'affiche lorsque le générateur enCUBE1.8 est mis sous tension pour la première fois



Affichage du mode sortie uniquement
Figure 10 Mode sortie uniquement



Le rétroéclairage s'éteint au bout de 10 secondes

Lorsque le générateur enCUBE1.8 est en mode sortie uniquement, les indicateurs suivants s'affichent selon les calculs basés sur la sortie.

- **Tension de la batterie**
- **Puissance de sortie**
- **Niveau de la batterie**
- **Durée de fonctionnement restante**

À chaque fois qu'un dispositif/une charge est branché(e) ou débranché(e), l'indicateur de sortie associé s'allume ou s'éteint, le rétroéclairage s'allume pendant 5 secondes et l'unité émet des bips. Si le générateur enCUBE1.8 détecte une erreur, le rétroéclairage de l'écran ACL vire au rouge et commence à clignoter. Le code d'erreur approprié s'affiche et l'unité émet un bip toutes les secondes.


Si le niveau du générateur enCUBE1.8 passe en dessous de 10,5 V, l'unité s'éteint automatiquement.

Mode chargement uniquement : l'alimentation d'entrée est connectée (secteur ou solaire) et aucune charge/aucun dispositif de sortie n'est connecté(e).



Lors de la connexion au panneau solaire ou à une autre source d'alimentation CA, le générateur enCUBE1.8 émet un bip et tous les indicateurs éteints s'allument pendant environ trois secondes, le rétroéclairage s'allume pendant dix secondes puis s'éteint.

FONCTIONNEMENT

En mode chargement uniquement, les indicateurs suivants s'affichent :

- Tension de la batterie 13,0 V
- Alimentation d'entrée 100 W
- Niveau de la batterie 

En fonction de la source d'entrée de l'énergie, les indicateurs de chargement associés s'allument également :

- Indicateur de chargement solaire 
- Indicateur de chargement CA 

Mode chargement et sortie simultanés : une ou plusieurs charges/un ou plusieurs dispositifs sont connecté(e)s aux prises et une ou plusieurs sources d'alimentation d'entrée sont connectées.

En mode chargement et sortie simultanés, les indicateurs suivants s'affichent :

- Tension de la batterie 13,3 V
- Alimentation d'entrée 300 W
- Niveau de la batterie 
- Puissance de sortie 0,20 kW
- Temps de travail restant (comme par calcul)

En fonction des prises utilisées, les indicateurs associés s'allument également :

- Indicateur de sortie CA 
- Indicateur USB 
- Indicateur d'allume-cigare 12 VCC 

En fonction des prises utilisées, les indicateurs associés s'allument également

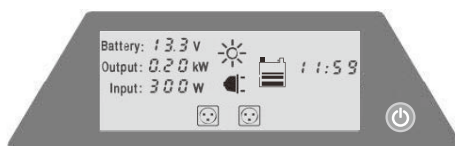


Figure 11 Mode chargement et sortie simultanés avec sortie CA En fonction des prises utilisées, les indicateurs associés s'allument également :

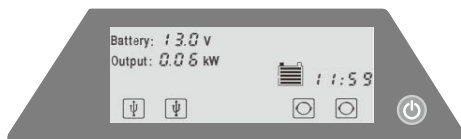


Figure 12 Mode chargement et sortie simultanés avec sortie USB et allume-cigare

2. Rechargement de enCUBE1.8

2.1 Options de chargement

Il existe deux options de chargement avec le générateur enCUBE1.8 :

- Chargement au moyen du chargeur CA intégré.
 - Chargement au moyen de panneaux solaires.
- Chargement au moyen du chargeur CA intégré

Pour utiliser le chargeur CA intégré, suivez les étapes ci-dessous :

- 1) Insérez le câble de chargement CA dans l'interface de chargement CA.
 - 2) Branchez le câble de chargement CA à une prise standard 120 VCA.
- Lorsque le système est en chargement, l'indicateur de chargement CA s'allume, le rétroéclairage s'allume pendant cinq secondes et l'unité émet des bips. Un rechargement complet peut durer jusqu'à 24 heures. L'indicateur de batterie affiche le niveau de la batterie durant l'étape de chargement.

➤ **MISE EN GARDE :** les mesures de l'indicateur de niveau de batterie ne sont pas précises tant que les batteries n'ont pas été « au repos » pendant 15 minutes après le chargement.

Chargement au moyen de panneaux solaires

Les panneaux solaires de 12 VCC ayant des valeurs nominales pour produire au maximum 20 A peuvent être utilisés pour charger le générateur enCUBE1.8 à l'aide de l'entrée de chargement solaire.

Pour charge à l'aide de panneaux solaires, suivez les étapes ci-dessous :

- 1) Branchez les câbles solaires dans les entrées de chargement solaire (des connecteurs unidirectionnels garantissent l'exactitude de la polarité).
- 2) Branchez l'autre extrémité des câbles solaires à la sortie des panneaux solaires.
- 3) Lorsque le système est en chargement, l'indicateur de chargement solaire s'allume, le rétroéclairage s'allume pendant cinq secondes et l'unité émet des bips.
- 4) Avec la lumière directe du soleil, un panneau solaire standard de 60 W peut nécessiter 30 heures pour recharger entièrement le générateur enCUBE1.8 en fonction de l'intensité de la lumière du soleil sur le panneau solaire.
- 5) L'indicateur de batterie affiche le niveau de la batterie durant l'étape de chargement.

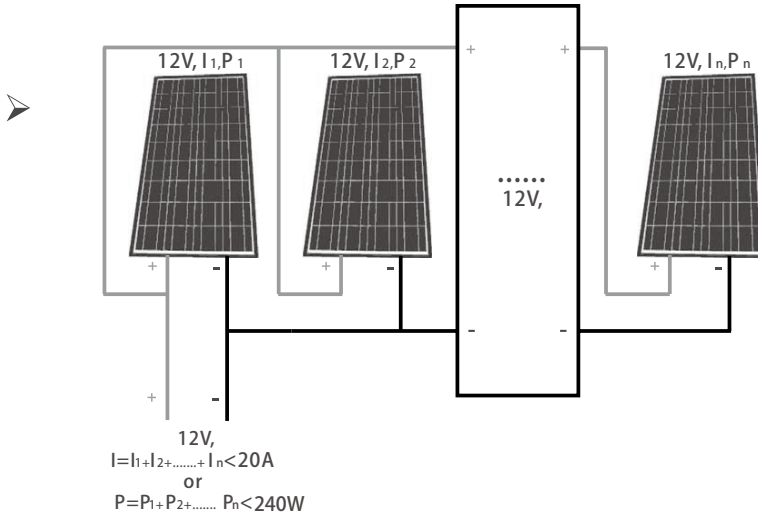
Comment étendre les panneaux solaires?

La connexion de panneaux solaires en parallèle jusqu'à 240 W pour un système 12 VCC est recommandée pour réduire la durée de chargement. Le courant de sortie maximum est limité à 20 A.

L'utilisation de plusieurs adaptateurs (adaptateur MC4-Y) pour connecter en parallèle des panneaux solaires est recommandée. En savoir plus sur l'utilisation de plusieurs adaptateurs. s'il vous plaît contacter avec KohlerPower.com.

Se recomienda usar multi-adaptadores (adaptador MC4-Y) para poner en paralelo los paneles solares conectados. Más información sobre los multi-adaptadores. póngase en contacto con KohlerPower.com.

FONCTIONNEMENT



MISE EN GARDE : une entrée solaire dépassant 20 A fait sauter le fusible de chargement solaire du générateur enCUBE1.8.

⚠ ATTENTION : risque d'endommagement du bloc-batterie

El uso de módulos solares amorfos o módulos de más de 12VCD puede dañar la batería.

2.2 Autodécharge et durée de conservation de la batterie

Toutes les batteries rechargeables se déchargent progressivement lorsqu'elles restent inactives. Un chargement périodique est nécessaire pour maintenir la capacité maximale de la batterie. Le chargeur CA intégré au générateur enCUBE1.8 régule le processus de chargement, garantissant toujours une charge complète du bloc-batterie, sans jamais subir de surcharge.

⚠ ATTENTION : risque d'endommagement de la batterie

En raison de l'autodécharge inhérente, il est important de charger les batteries au plomb au moins tous les trois (3) mois, en particulier dans un environnement chaud. Le fait de laisser une batterie en état de déchargement ou de ne pas la recharger tous les trois mois peut provoquer des dégâts permanents.

⚠ ATTENTION : risque d'endommagement de la batterie

N'essayez pas de charger la batterie du générateur enCUBE1.8 si celle-ci est gelée. Il est indispensable de réchauffer progressivement une batterie gelée jusqu'à 0 °C (32 °F) avant de la charger.

DURÉE DE FONCTIONNEMENT ESTIMÉE DE L'UNITÉ

La sortie 120 VCA du générateur enCUBE1.8 permet d'alimenter des appareils électriques comme des lampes, des ordinateurs, des outils électriques, etc.

La sortie USB de 5 VCC permet d'alimenter un téléphone cellulaire et des appareils numériques comme des lecteurs MP3, des tablettes, etc.

La sortie d'allume-cigare de 12 VCC permet d'alimenter des produits électriques utilisant une puissance de 12 VCC.

Durée de fonctionnement de la charge : en prenant comme exemple une batterie de 100 Ah (ces données servent uniquement de références).

	Puissance requis	Approximatif Durée (heures) *
Domicile		
Réfrigérateur Congélateur	1,400	14
50" Téléviseur	238	8.5
Congélateur (7 cu ft)	204	19
Micro-ondes	1,350	1
Ampoule LED	23	53
Machine à café	900	40 tasses (8 Oz)
Ordinateur portable	90	60
Fer à repasser	1,440	1
Chantier		
18V Cellule de batterie	43	~20 recharges
Amusant		
50" Téléviseur	238	8.5
Mijoteuse	295	6.5
ventilateur de table	40	66

* Basé sur des tests internes . Les résultats réels peuvent varier en fonction de votre équipement , l'utilisation et l'âge

DÉPANNAGE

Cette section va vous permettre d'identifier rapidement la source des problèmes les plus fréquents pouvant se produire avec le générateur enCUBE1.8.

Si vous rencontrez un problème avec le générateur enCUBE1.8, consultez ce chapitre avant de communiquer avec l'assistance clientèle.

Si vous ne parvenez pas à résoudre un problème et avez besoin de communiquer avec l'assistance clientèle, notez les détails sur la couverture du manuel.

Codes d'erreur

Les codes d'erreur suivants peuvent s'afficher sur l'écran ACL si les dysfonctionnements décrits sont détectés.

Tabla 1 Codes d'erreur pour le dépannage du générateur enCUBE1.8

Code d'erreur affiché	Description de l'erreur	Description de la situation	Résolution
E01	Arrêt en raison d'une sous-tension de l'entrée CC	L'unité s'arrête. La tension d'entrée est descendue sous la limite de tension de fonctionnement de 10,7 VCC. Une alarme sonne toutes les secondes jusqu'à ce que la tension d'entrée chute à 10,5 VCC. Le rétroéclairage devient rouge et clignote. L'alarme continue de sonner pendant une minute, puis le rétroéclairage et l'alarme s'éteignent. Seul le code d'erreur s'affiche en continu.	L'unité est réinitialisée automatiquement une fois que le dysfonctionnement est corrigé. Si ce dysfonctionnement n'est pas corrigé et si l'unité s'éteint complètement, vous devez appuyer sur le bouton ON/OFF (marche/arrêt) pour mettre de nouveau l'unité sous tension. Chargez la batterie immédiatement.
E02	Arrêt en raison d'une surtension de l'entrée CC	L'unité s'arrête. La tension d'entrée est supérieure à 15,5 VCC. Le rétroéclairage devient rouge et clignote. L'alarme continue de sonner pendant une minute, puis le rétroéclairage et l'alarme s'éteignent. Seul le code d'erreur s'affiche en continu.	L'unité est réinitialisée automatiquement une fois que le dysfonctionnement est corrigé. Vérifiez si la tension d'entrée CC dépasse la plage de tension d'entrée.

DÉPANNAGE

E03	Arrêt en raison d'une surcharge de la sortie CA et arrêt en raison d'un court-circuit de la sortie CA	L'unité s'arrête. Une charge CA appliquée au système en mode onduleur dépasse la limite de fonctionnement. Le rétroéclairage clignotant passe du rose au rouge. L'alarme continue de sonner pendant une minute, puis le rétroéclairage et l'alarme s'éteignent. Seul le code d'erreur s'affiche en continu.	Éliminez les charges CA excessives. Il est indispensable de réinitialiser l'unité. Pour ce faire, mettez l'unité hors tension, puis sous tension.
E04	Arrêt en raison d'une surchauffe du système	L'unité s'arrête. La température interne du système dépasse la limite de fonctionnement. L'alarme sonne toutes les secondes. Le rétroéclairage clignotant passe du rose au rouge. L'alarme continue de sonner pendant une minute, puis le rétroéclairage et l'alarme s'éteignent. Seul le code d'erreur s'affiche en continu.	Éliminez les charges CA excessives. Il est indispensable de réinitialiser l'unité. Pour ce faire, mettez l'unité hors tension, puis sous tension. Vérifiez la ventilation du système et réduisez la charge appliquée à ce dernier.
E05	Avertissement de sous-tension de l'entrée CC	Le système est toujours en fonctionnement, mais la tension d'entrée a chuté à une valeur très proche de la limite d'arrêt (11,0 à 10,7 VCC). Le rétroéclairage devient rose et clignote.	L'unité continue de fonctionner. Si l'avertissement est ignoré, le générateur enCUBE1.8 finit par indiquer le dysfonctionnement E01.
E06	Avertissement de surcharge de la sortie CA	Le système fonctionne encore, mais la charge CA appliquée au système est excessive et peut provoquer l'arrêt du générateur enCUBE1.8. Le rétroéclairage devient rose et clignote.	L'unité continue de fonctionner. Si l'avertissement est ignoré, l'unité finit par indiquer le dysfonctionnement E03.

DÉPANNAGE

E07	Avertissement de surchauffe du système	Le système fonctionne encore, mais la température interne de celui-ci est proche de la limite d'arrêt. Le rétroéclairage devient rose et clignote.	L'unité continue de fonctionner. Si l'avertissement est ignoré, l'unité finit par indiquer le dysfonctionnement E04.
E08	Le fusible n° 1 du port de l'allume-cigare a sauté	Le courant de sortie de l'allume-cigare CC dépasse 15 A. Le rétroéclairage devient rose et clignote. L'alarme sonne jusqu'au remplacement du fusible.	Réduisez la charge appliquée à la prise d'allume-cigare CC. Remplacez le fusible.
E09	Le fusible n° 2 du port de l'allume-cigare a sauté	Le courant de sortie de l'allume-cigare CC dépasse 15 A. Le rétroéclairage devient rose et clignote. L'alarme sonne jusqu'au remplacement du fusible.	Réduisez la charge appliquée à la prise d'allume-cigare CC. Remplacez le fusible.
E10	Les fusibles des ports n° 1 et n° 2 de l'allume-cigare ont sauté	Le courant de sortie de l'allume-cigare CC dépasse 15 A. Le rétroéclairage devient rose et clignote. L'alarme sonne jusqu'au remplacement des fusibles.	Réduisez la charge appliquée à la prise d'allume-cigare CC. Remplacez les fusibles.

➤ **MISE EN GARDE** : si plusieurs erreurs de produisent en même temps, les codes E08, E09 et E10 sont affichés en priorité. Les autres codes d'erreur s'affichent uniquement après la résolution de l'erreur prioritaire et le redémarrage du système.

CARACTÉRISTIQUES TECHNIQUES

Ce chapitre comprend les caractéristiques techniques électriques du générateur enCUBE1.8.

Invertidor

Paramètre	Onduleur
Plage de tension d'entrée	10.7 - 15.5 VCC
Tension d'entrée nominale	12.5 VCC
Courant d'entrée maximum	190 A
Tension de sortie (sans charge)	120 VCA, ± 5 VCA
Fréquence de sortie	60 Hz / ± 1 Hz
Puissance de sortie continue	1440 W
Puissance de sortie maximale	1800 W
Courant de sortie continu	12 A
Valeur de surtension	3600 W
Courant de surtension	30 A
Forme d'onde de sortie	Onde sinusoïdale modifiée
Rendement de sortie de l'onduleur	> 85%
Température de stockage	La température de fonctionnement idéale est inférieure à 25 °C (77 °F)
Protection	batterie faible fermé, la protection à haute température, protection contre les surcharges, protection de court-circuit, la protection GFCI

Chargeur intégré

Paramètre	Chargeur d'entrée CA
Plage de tension d'entrée CA	90 - 130 VCA
Tension d'entrée CA nominale	120 VCA

CARACTÉRISTIQUES TECHNIQUES

Puissance de chargement maximale		80 W /±10 W
Fréquence d'entrée CA		60 Hz /± 1 Hz
Tension de sortie	Charge profonde	14.7 VCC /± 0.2 VCC
	Repos après charge	13.7 VCC /± 0.2 VCC
	Recharge	12.6 VCC /± 0.2 VCC
Processus de chargement		Processus de chargement en trois étapes : <ul style="list-style-type: none"> • Étape de charge profonde • Étape d'absorption • Étape de repos après charge
Rendement d'échange		> 75%
Protection		Protection contre la surchauffe, limitée aux entrées

Chargeur solaire

Paramètre		Chargeur solaire
Plage de tension d'entrée solaire		10 - 24.5 VCC
Courant de sortie maximum		20 A
Tension de sortie	Charge profonde	14.7 VCC /± 0.2 VCC
	Repos après charge	13.7 VCC /± 0.2 VCC
	Recharge	12.6 VCC /± 0.2 VCC
Processus de chargement		Processus de chargement en trois étapes : <ul style="list-style-type: none"> • Étape de charge profonde • Étape d'absorption • Étape de repos après charge
Rendement d'échange		> 95%
Protection		Un fusible de 20 A/32 VCC permet de protéger la borne d'entrée CC

EMPLACEMENT ET INSTALLATION DE LA BATTERIE

Utilisez uniquement des batteries répondant aux critères suivants :

- a. Type de batterie : batterie au plomb scellée, batterie AGM.
- b. Tension nominale : 12 VCC.
- c. Capacité : 60, 80, 90 ou 100 Ah.
- d. La batterie doit être conforme à la norme UL1989.
- e. Lors de l'installation de la batterie, assurez-vous que les connexions de la polarité sont correctes.

➤ **MISE EN GARDE** : il est indispensable de recharger la batterie immédiatement après l'achat. Toutes les batteries rechargeables se déchargent progressivement lorsqu'elles restent inactives. Un chargement périodique est nécessaire pour maintenir la capacité maximale de la batterie.

⚠ **AVERTISSEMENT** : examinez toutes les précautions spécifiques du fabricant de la batterie et les avertissements avant l'assemblage. Une connexion incorrecte peut provoquer un court-circuit et des blessures physiques. Suivez toutes les directives recommandées. Consultez la page 24 pour plus de renseignements sur les recommandations.

⚠ **ATTENTION** : risque d'explosion si la batterie est remplacée par un type incorrect. Mettez la batterie usagée au rebut de manière appropriée. Ne jetez pas une batterie dans le feu. La batterie peut exploser.

⚠ **ATTENTION** : il est important de confier l'entretien de la batterie uniquement à un centre de services autorisé par l'usine. Remplacez la batterie par le même type de batterie.

⚠ **ATTENTION** : n'ouvrez pas et n'altérez pas la batterie. Les produits chimiques dégagés sont dangereux pour la peau et les yeux, et sont toxiques.

⚠ **ATTENTION** : une batterie peut présenter un risque de chocs électriques. Il est important de respecter les précautions suivantes lorsque vous utilisez/manipulez la batterie :

- 1) Enlevez les montres, bagues et autres objets en métal.
- 2) Utilisez des outils avec des poignées isolantes.
- 3) Portez des gants et des bottes en caoutchouc.
- 4) Ne posez pas d'outils ou de pièces en métal sur la batterie.
- 5) Débranchez la source de chargement avant de brancher ou de débrancher les bornes de la batterie.
- 6) Vérifiez si la batterie a été mise à la terre par inadvertance. Si tel est le cas, retirez la source mise à la terre. Tout contact avec une partie de la batterie mise à la terre peut provoquer des chocs électriques. Il est possible de réduire ces éventuels chocs en retirant la mise à la terre pendant l'installation et l'entretien.

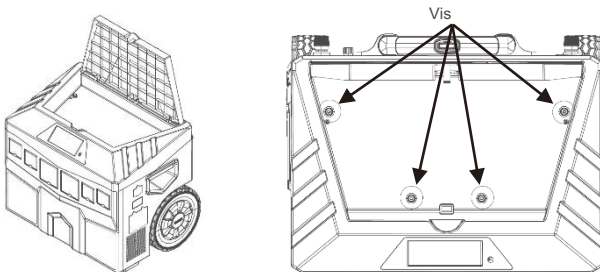
Quels sont les éléments nécessaires pour l'installation?

- Tournevis cruciforme
- Petit tournevis plat
- Ruban isolant

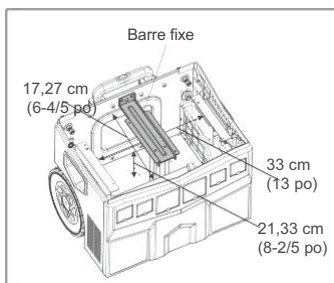
EMPLACEMENT ET INSTALLATION DE LA BATTERIE

Suivez les étapes suivantes pour remplacer la batterie :

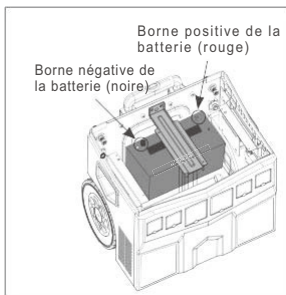
1) Dévissez les quatre vis et ouvrez la couvercle supérieur.



2) Retirez la barre fixe qui maintient la batterie.



3) Débranchez le câble de la borne POSITIVE (ROUGE) de la batterie, enveloppez la cosse du câble avec du ruban isolant.



4) Débranchez le câble de la borne NÉGATIVE (NOIRE) de la batterie, enveloppez la cosse du câble avec du ruban isolant..

5) Retirez la batterie.

6) Placez la nouvelle batterie et assurez-vous qu'elle est dans la position appropriée. Si la nouvelle batterie est plus petite que celle utilisée auparavant, placez-la dans la position centrale. Cela permet de stabiliser le centre de gravité de l'unité, facilitant ainsi son déplacement.

7) Vérifiez que les bornes positive et négative de la batterie sont alignées avec bornes positive et négative du générateur enCUBE1.8.

EMPLACEMENT ET INSTALLATION DE LA BATTERIE

8) Retirez le ruban isolant de la cosse POSITIVE (ROUGE), branchez les câbles à la borne POSITIVE (ROUGE) de la batterie et serrez.

9) Retirez le ruban isolant de la cosse NÉGATIVE (NOIRE), branchez les câbles à la borne NÉGATIVE (NOIRE) de la batterie et serrez.

MISE AU REBUT DE BATTERIE USAGÉE

Les batteries contiennent des matériaux dangereux pour le système immunitaire, comme le mercure, qui peuvent provoquer des problèmes de santé.

Stockage et mise au rebut inappropriés de la batterie :

La liste suivante comprend des actions à ne pas entreprendre avec les batteries :

- N'enterrez pas les batteries.
- Ne brûlez pas les batteries.
- Ne les stockez pas avec du métal ou d'autres types de batteries.

Stockage et mise au rebut appropriés de la batterie : Stockage

Les batteries inutilisées contiennent les mêmes produits chimiques que les batteries usagées et présentent donc le même risque de contamination et d'incendie. Si une batterie entre en contact avec un autre objet, en particulier du métal ou des objets contenant de l'humidité, les risques de fuite d'acide ou d'incendie sont accrus. Il est important de stocker les batteries (nouvelles et usagées) dans une zone propre, sèche et fermée, en protégeant les bornes afin qu'elles n'entrent pas en contact avec d'autres objets.

Mise au rebut

Il existe plusieurs options de mise au rebut des batteries usagées :

- Renvoyez la batterie au lieu d'achat.
- La plupart des boutiques qui vendent des batteries de voiture les acceptent également à des fins de recyclage. Des frais peuvent s'appliquer.
- Un recycleur de métal peut vous racheter votre batterie de voiture. Consultez un annuaire ou Internet et cherchez les « centres de recyclage » pour obtenir une liste des recycleurs de métal près de chez vous.

