
INSTALLATION INSTRUCTIONS

Flexible Fuel Line Kits

PA-254976, PA-254977, PA-256842, PA-256869

10-18 kW Standby and Mobile Generator Sets

Kits covered by this TT include:

Generator Model	Kit No.
10/12 kW Gasoline/LP Liq. Withdrawal	PA-254976
18 kW Liquid Withdrawal Straight Gas	PA-254976
10/12 kW Mobile Straight Gas	PA-254977
18 kW Standby Gasoline	PA-256842
10-18 kW Standby Straight Gas	PA-256869

The flexible fuel line kit provides a flexible connection between the engine fuel fittings and the fuel tank plumbing. After the flexible fuel lines are installed, verify that all connections are tight; then bleed air from the fuel system according to the engine manufacturer's instructions. If air is trapped in the fuel system, hard starting and/or erratic operation will occur. Observe all safety precautions during kit installation. For additional information on fuel system installation, consult the Standby Generator Installation Guide.



WARNING

Accidental starting.
Can cause severe injury or death.

Disconnect battery cables before working on generator set (negative lead first and reconnect it last).

Standby Models Only:

Accidental starting can cause severe injury or death. Turn generator master switch to OFF position, disconnect power to battery charger, and remove battery cables (remove negative lead first and reconnect it last) to disable generator set before working on any equipment connected to generator. The generator set can be started by automatic transfer switch or remote start/stop switch unless these precautions are followed.

Mobile Models Only:

Accidental starting can cause severe injury or death. Disconnect battery cables (remove negative

lead first and reconnect it last) to disable generator set before working on any equipment connected to generator. The generator set can be started by remote start/stop switch unless this precaution is followed.

WARNING



Explosive fuel vapors.
Can cause severe injury or death.

Use extreme care when handling, storing, and using fuels.

Explosive fuel vapors can cause severe injury or death. All fuels are highly explosive in a vapor state. Use extreme care when handling, storing, and using fuels. Store fuel in a well-ventilated area away from spark-producing equipment and out of the reach of children. Never add fuel to the tank while the engine is running since spilled fuel may ignite on contact with hot parts or from ignition spark. Do not smoke or permit flame or spark to occur near potential sources of spilled fuel or fuel vapors. Keep fuel lines and connections tight and in good condition—don't replace flexible fuel lines with rigid lines. Flexible sections are used to avoid breakage due to vibration. Should any fuel leakage, fuel accumulation, or electrical sparks be noted, **DO NOT OPERATE GENERATOR SET.** Have systems repaired before resuming generator operation.

Explosive fuel vapors can cause severe injury or death. Additional precautions must be taken when using the following fuels:

Gasoline—Store gasoline only in approved red containers clearly marked GASOLINE. Do not store gasoline in any occupied building.

Propane (LP)—Adequate ventilation is mandatory. Propane is heavier than air; install gas detectors low in room. Inspect detectors often.

Natural Gas—Adequate ventilation is mandatory. Natural gas rises; install gas detectors high in room. Inspect detectors often.

A flash fire can cause severe injury or death. Do not smoke or permit flame or spark to occur near carburetor, fuel line, fuel filter, fuel pump, or other potential sources of spilled fuel or fuel vapors. When removing fuel line or carburetor, use a proper container to catch all fuel.

Installation

1. Move generator master switch to OFF position (Standby models only). Disconnect the battery cables, negative lead first.
2. Allow the engine to cool completely.
3. Close the fuel supply valve at the fuel supply.
4. Use the illustrations on the following pages to mount the flexible fuel line kits. Apply pipe sealant to all threaded fittings.

NOTE

Use Figure 1 to mount the flexible fuel lines on 10-18 kW Mobile/Standby straight gas generators (PA-256869 and PA-254977). Use Figure 2 to mount flexible fuel lines on 10-18 kW LP liquid withdrawal generators (PA-254976). Use Figure 3 to mount flexible fuel lines on 18 kW gasoline generators (PA-256842). Use Figure 4 to mount flexible fuel lines on 10/12 kW gasoline generators (PA-254976).

5. After the flexible fuel lines are installed, verify that all connections are tight.

6. Open the fuel supply valve at the fuel supply.

Explosive fuel vapors can cause severe injury or death. Fuel leakage can cause an explosion. Check LP vapor gas fuel system for leakage using a soap-water solution with fuel system test pressurized to 6-8 ounces per square inch (10-14 inches water column). Do not use test solutions that contain ammonia or chlorine, since the soap will not bubble for an accurate leakage test.

Explosive fuel vapors can cause severe injury or death. Fuel leakage can cause an explosion. Check LP liquid withdrawal gas fuel system for leakage using a soap-water solution with fuel system test pressurized not less than 90 psi (621 kPa). Do not use test solutions that contain ammonia or chlorine, since the soap will not bubble for an accurate leakage test.

7. Connect battery cables, negative lead last.

Gasoline models only:

8. Start engine and allow it to run for approximately 20 to 30 seconds. Check for leaks. STOP the generator. Repair leaks if necessary.

9. Use rags to wipe up any spilled fuel. Dispose of the rags in a proper container.

Parts List					
		Kit Number			
Description	Qty.	PA-254976	PA-254977	PA-256842	PA-256869
Nipple, pipe	1	–	X-206-9	–	–
Elbow, pipe 3/4 in.	1	–	X-215-2	–	–
Clamp, hose	1	–	–	X-426-9	–
Line, flexible fuel	1	267958	256857	256841	256857

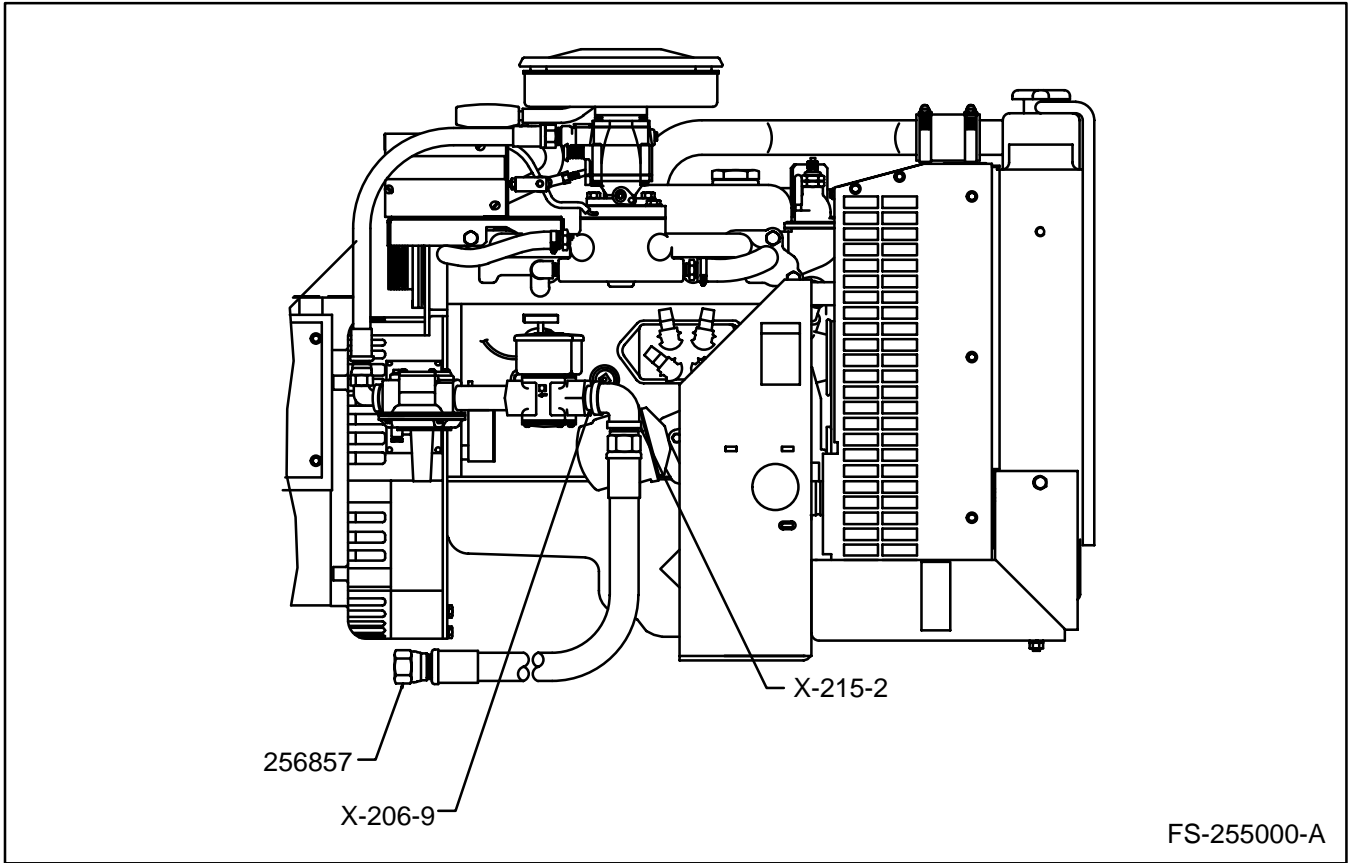


Figure 1. Flexible Fuel Line Connection 10-18 kW Mobile/Standby Straight Gas Generators

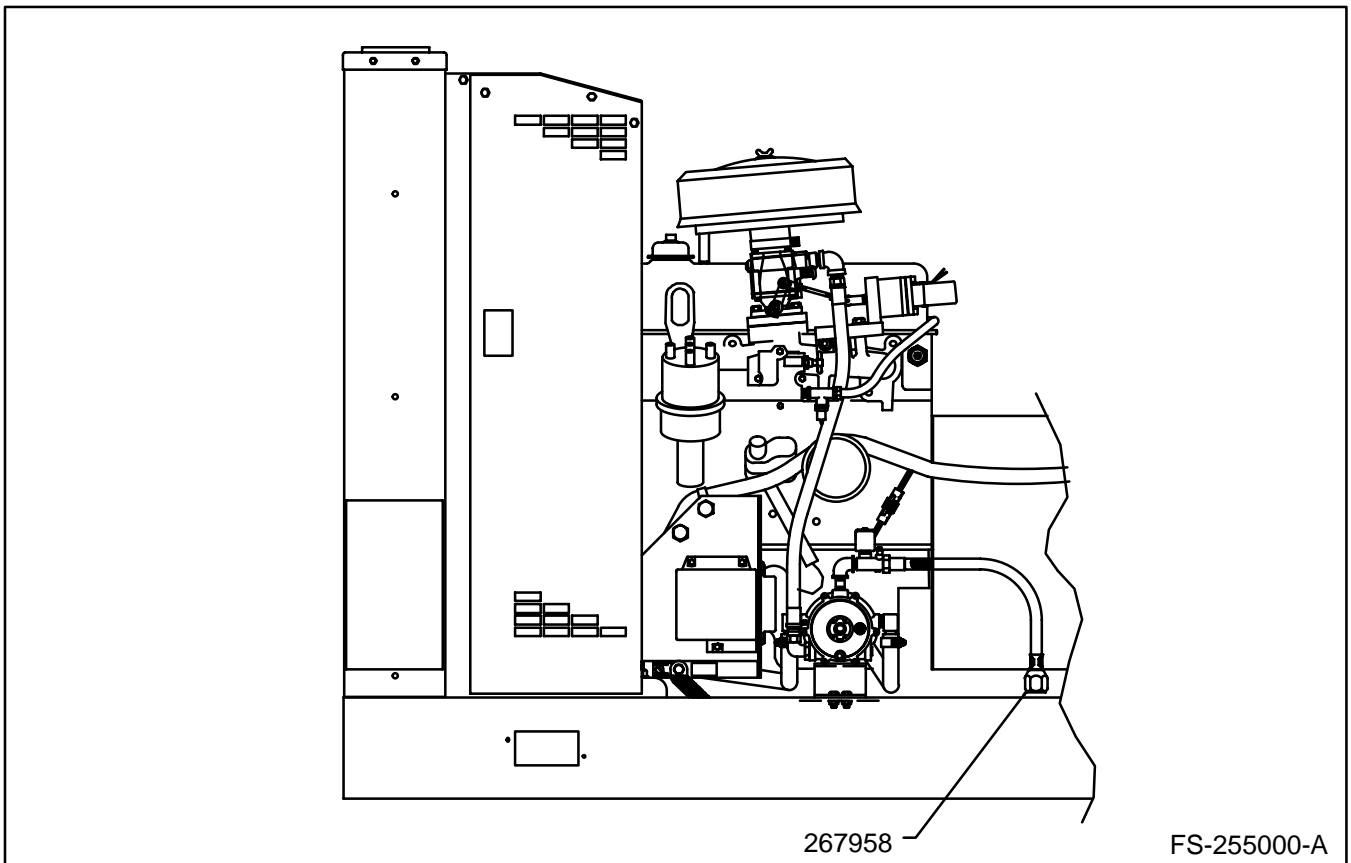


Figure 2. Flexible Fuel Line Connection 10-18 kW LP Liquid Withdrawal Generators

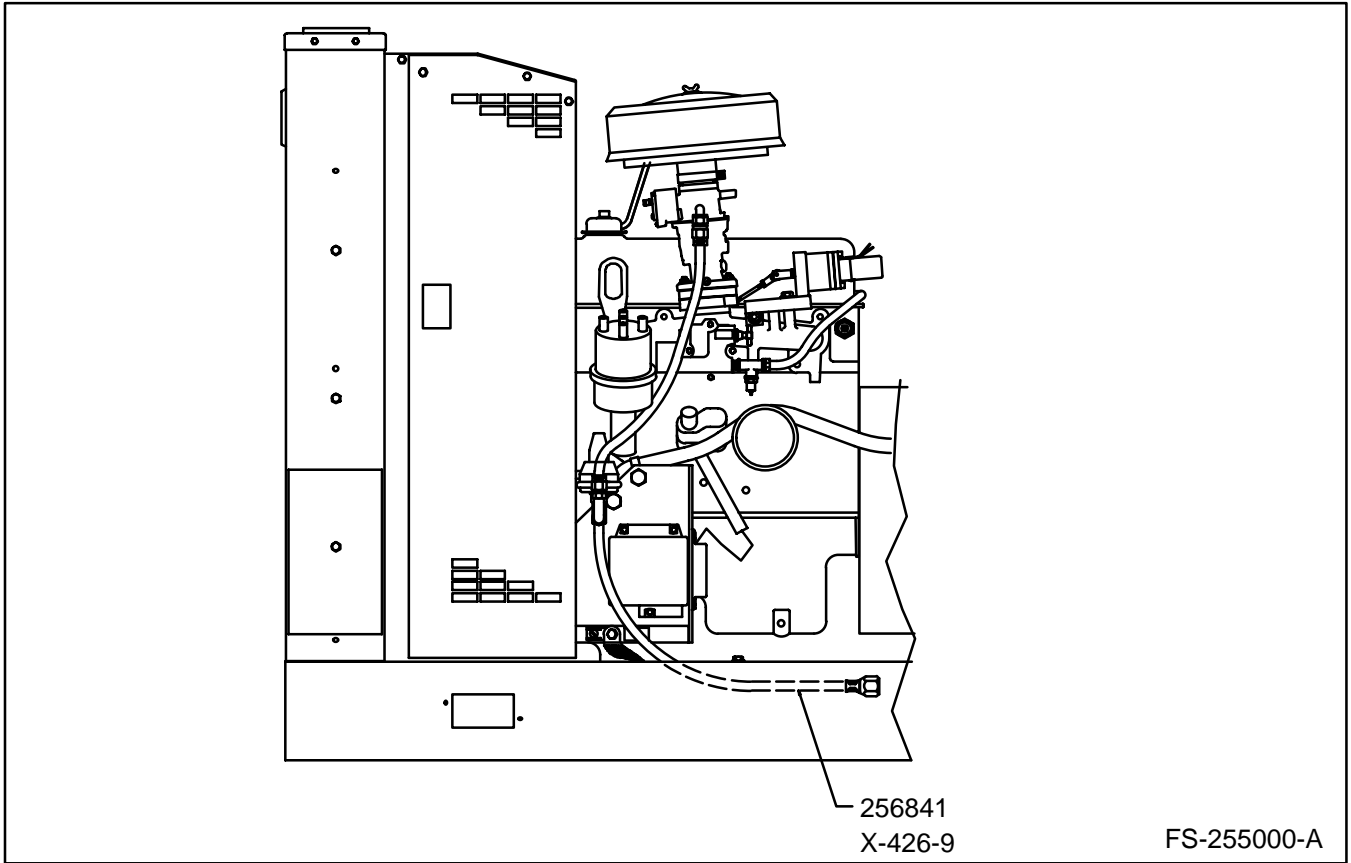


Figure 3. Flexible Fuel Line Connection 18 kW Gasoline Generators

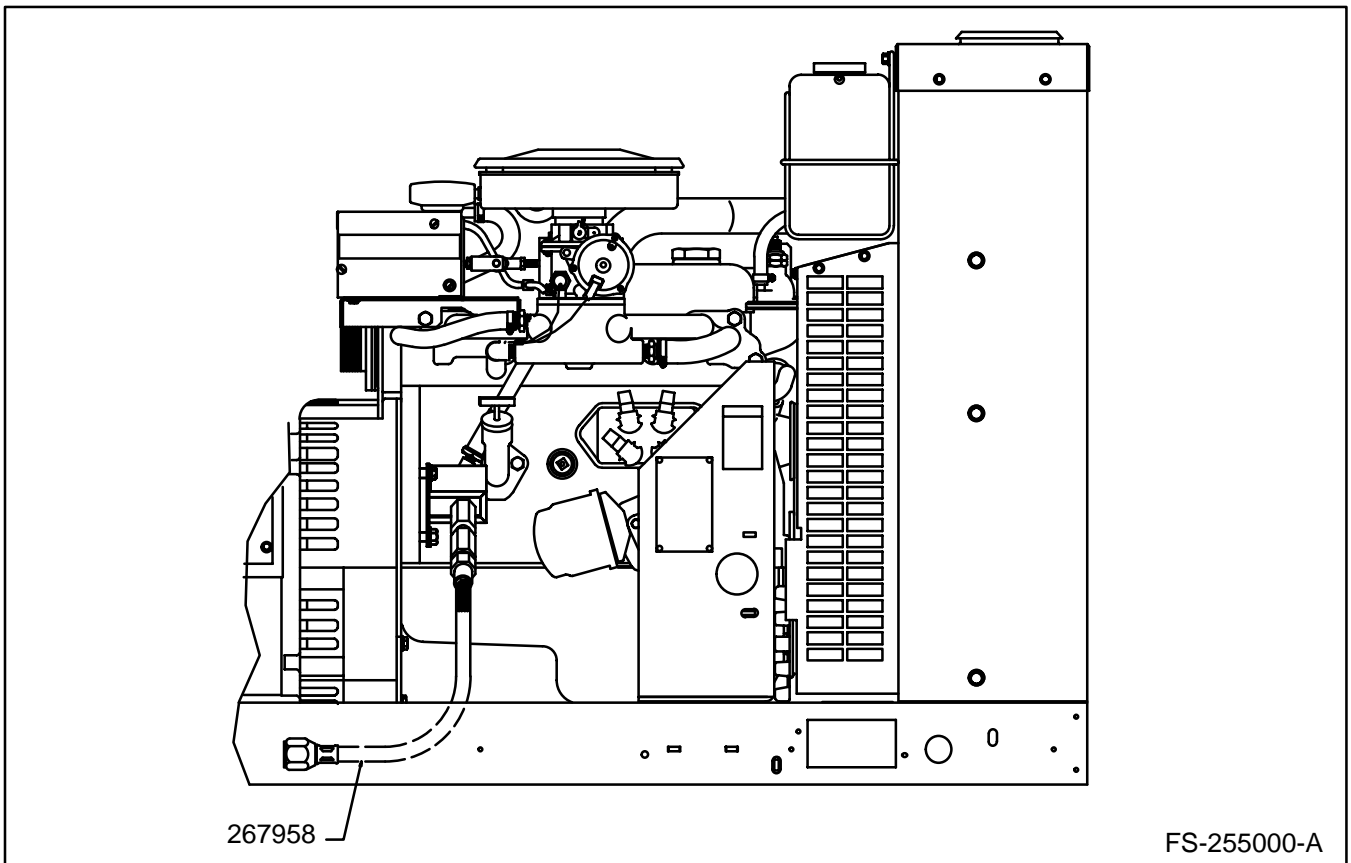


Figure 4. Flexible Fuel Line Connection 10-12 kW Gasoline Generators