
INSTALLATION INSTRUCTIONS

Original Issue Date: **8/96**

Model: **80ROZJ**

Market: **Industrial**

Subject: **Fiberglass Exhaust Gasket Kit 352288**

Use the fiberglass exhaust gasket kit to seal the area around the exhaust adapter located between the turbocharger and exhaust outlet elbow. Observe the following safety precautions during installation.



Accidental starting.
Can cause severe injury or death.

Disconnect battery cables before working on generator set (disconnect negative lead first and reconnect it last).

Disabling generator set. Accidental starting can cause severe injury or death. Turn generator set master switch to OFF position, disconnect power to battery charger, and remove battery cables (remove negative lead first and reconnect it last) to disable generator set before working on the generator set or connected equipment. The generator set can be started by an automatic transfer switch or remote start/stop switch unless these precautions are followed.

⚠ WARNING



Hot engine and exhaust system.
Can cause severe injury or death.

Do not work on generator set until it is allowed to cool.

Servicing exhaust system. Hot parts can cause severe injury or death. Do not touch hot engine parts. An engine becomes hot while running and exhaust system components become extremely hot.

Installation

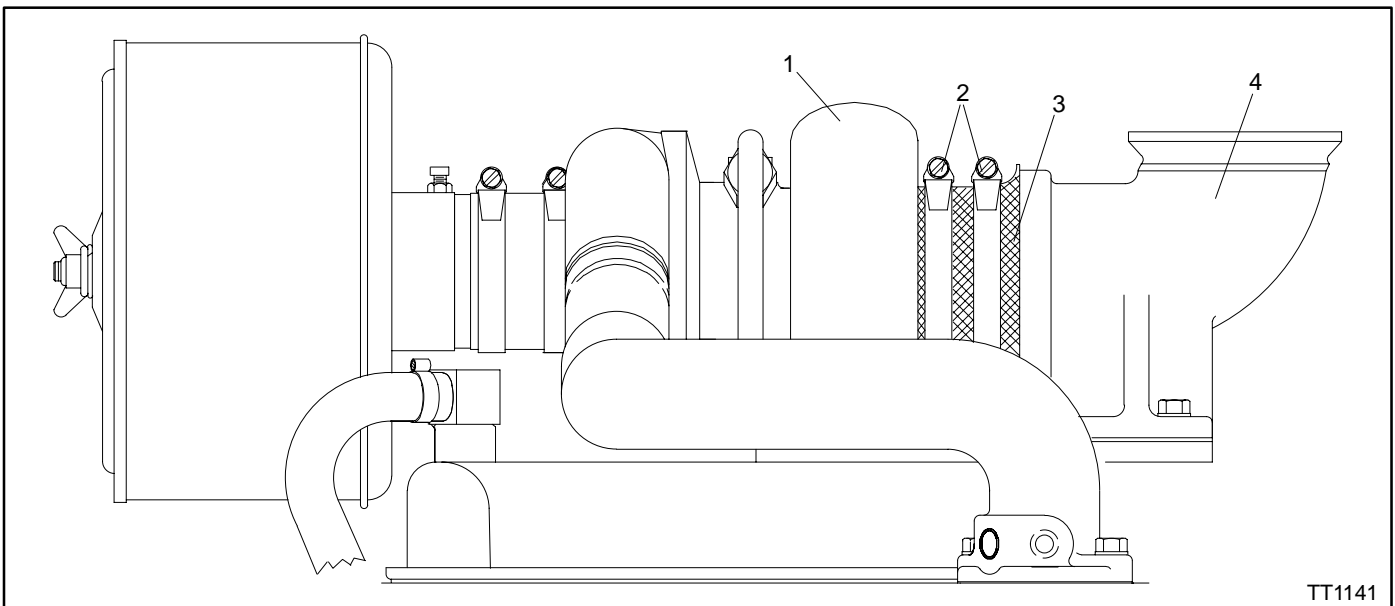
1. Place the generator set master switch in the OFF position.
2. Disconnect battery charger, if equipped.
3. Disconnect the generator set engine starting battery(ies), negative (-) lead first.
4. Allow generator set to cool.
5. Slide exhaust adapter located between the exhaust outlet elbow and the turbocharger as close to the exhaust outlet elbow as possible.
6. Wrap the fiberglass gasket around the exhaust adapter with the raised edge on the inside and closest to the turbocharger. Fiberglass exhaust gasket must be tight against the turbocharger and the exhaust outlet elbow.

7. Install two stainless steel clamps. See Figure 1.

NOTE

Securely abut both ends of the fiberglass exhaust gasket to prevent exhaust leaks.

8. Check that the generator set master switch is in the OFF position.
9. Reconnect generator set engine starting battery(ies), negative (-) lead last.
10. Reconnect battery charger, if equipped.
11. Start the generator set and check for exhaust leaks around the fiberglass gasket.
12. Stop generator set.



1. Turbocharger
2. Stainless steel clamps

3. Fiberglass exhaust gasket
4. Exhaust outlet elbow

Figure 1. Exhaust Gasket Installation

Fiberglass Exhaust Gasket Kit

Parts List		
Kit: 352288		
Qty.	Description	Part Number
1	Gasket, exhaust	352287
2	Clamp, stainless steel	X-426-7