

---

## INSTALLATION INSTRUCTIONS

---

Original Issue Date: **6/97**

Model: **20-2000 kW**

Market: **Industrial**

Subject: **Prime Power Switch Kit PA-354395 and PA-354395-SD**

The prime power switch kit prevents battery drain during generator set non-operation periods and when the generator set battery cannot be maintained by an AC battery charger. Observe the following safety precautions while installing the kit.





**Accidental starting.**

**Can cause severe injury or death.**

Disconnect battery cables before working on generator set (disconnect negative lead first and reconnect it last).

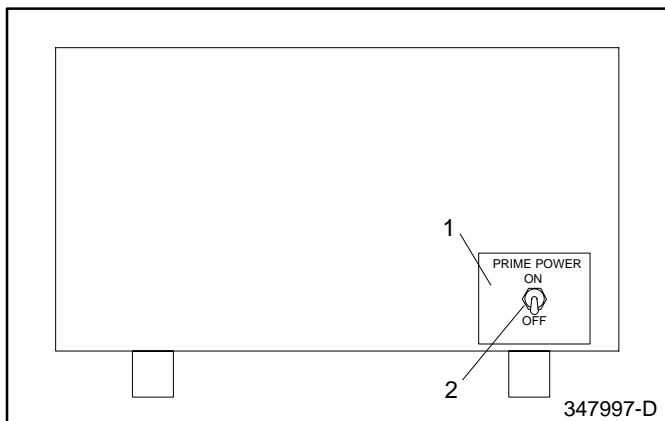
**Disabling generator set. Accidental starting can cause severe injury or death.** Turn generator set master switch to OFF position, disconnect power to battery charger, and remove battery cables (remove negative lead first and reconnect it last) to disable generator set before working on the generator set or connected equipment. The generator set can be started by an automatic transfer switch or remote start/stop switch unless these precautions are followed.

<b>⚠ WARNING</b>	
 <b>Hazardous voltage.</b>	 <b>Moving rotor.</b>
<p><b>Can cause severe injury or death.</b></p> <p>Operate generator set only with all guards and electrical enclosures in place.</p>	

**Short circuits. Hazardous voltage can cause severe injury or death.** Short circuits can cause bodily injury and/or equipment damage. Do not contact electrical connections with tools or jewelry while adjustments are made. Remove wristwatch, rings, and jewelry before servicing equipment.

# Installation

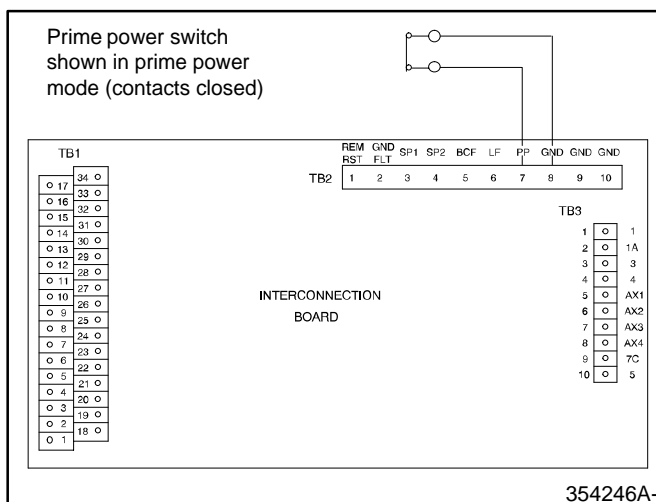
1. Place the generator set master switch in the OFF/RESET position.
2. Disconnect power to battery charger, if equipped.
3. Disconnect the generator set engine starting battery, negative (–) lead first.
4. Remove screws securing controller cover and remove cover.
5. Remove button plug from back of controller for prime power switch installation. Button plug will not be reused. See Figure 1.



1. Prime power decal (293668)
2. Toggle switch (354464)

**Figure 1. Prime Power Switch Installation Location—Rear View Controller**

6. Install toggle switch (354464) where button plug was removed.
7. Connect prime power switch power lead (L0-1812-5722) to controller interconnection board. See Figure 2.
8. Connect prime power switch ground lead (L0-1812-5722) to controller interconnection board. See Figure 2.
9. Reinstall controller cover.
10. Check that the generator set master switch is in the OFF/RESET position.
11. Reconnect the generator set engine starting battery, negative (–) lead last. Reconnect power to battery charger, if equipped.
12. See Operation Manual for operation in the prime power mode.



**Figure 2. Prime Power Switch Connections**

## Prime Power Switch Kit

Parts List		
Kits: PA-354395, PA-354395-SD		
Qty.	Description	Part Number
2	Lead	L0-1812-5722
1	Decal, prime power	293668
1	Diagram, interconnection	354246
1	Switch, toggle	354464