
INSTALLATION INSTRUCTIONS

Original Issue Date: **4/97**
 Model: **80/100REOZJ**
 Market: **Industrial**
 Subject: **Anticipatory Alarm Kit PA-352358**

The anticipatory alarm kit provides the switches to monitoring three functions: low water temperature, anticipatory high water temperature, and anticipatory low oil pressure. These switches are used with the microprocessor controller and the remote annunciator options. The low water temperature indicator activates if the optional engine block heater malfunctions and/or the engine coolant temperature is too low. The anticipatory high water temperature indicator activates if the engine coolant approaches shutdown range. The anticipatory low oil pressure indicator activates if the engine oil pressure approaches shutdown range. Observe the following safety precautions when installing the kit.



Accidental starting.
Can cause severe injury or death.

Disconnect battery cables before working on generator set (disconnect negative lead first and reconnect it last).

Disabling generator set. Accidental starting can cause severe injury or death. Turn generator set master switch to OFF position, disconnect power to battery charger, and remove battery cables (remove negative lead first and reconnect it last) to disable generator set before working on the generator set or connected equipment. The generator set can be started by an automatic transfer switch or remote start/stop switch unless these precautions are followed.

⚠ WARNING



Hot coolant and steam.
Can cause severe injury or death.

Before removing pressure cap, stop generator set and allow it to cool. Then loosen pressure cap to relieve pressure.

Checking coolant level. Hot coolant can cause severe injury or death. Allow engine to cool. Release pressure from cooling system before opening pressure cap. To release pressure, cover the pressure cap with a thick cloth; then slowly turn it counterclockwise to the first stop. Remove cap after pressure has been completely released and the engine has cooled. Check coolant level at tank if generator set is equipped with a coolant recovery tank.

Installation

1. Place the generator set master switch in the OFF position.
2. Disconnect the generator set engine starting battery, negative (–) lead first.
3. Allow the generator set to cool sufficiently. Remove radiator pressure cap to relieve radiator pressure. Drain the coolant into a suitable container.

NOTE

The petcock valve is located on the radiator bottom and/or on the engine block.

NOTE

It is not necessary to drain all coolant in order to install the engine temperature switch. Drain just enough coolant to prevent leakage when large pipe plug on side of engine is removed.

4. Remove the existing pipe plug for high water temperature switch. See Figure 1 for location. Coat the threads of the high water temperature switch (241481) with pipe sealant and install where pipe plug was removed. Original pipe plug will not be reused.
5. Remove the existing pipe plug and O-ring for the anticipatory low water temperature switch. See Figure 1 for location. Place O-ring (273693) on adapter bushing (273692). Coat the male threads of the adapter bushing with pipe sealant and install. Coat the threads of the low water temperature switch (290090) with pipe sealant and install. Original pipe plug and O-ring will not be reused.
6. Remove the existing pipe plug for the anticipatory low oil pressure switch. Coat the threads of the anticipatory low oil pressure switch (271425) with pipe sealant and install. Original pipe plug will not be reused.
7. Connect lead 35a of the engine wiring harness to one terminal of low water temperature switch (290090).

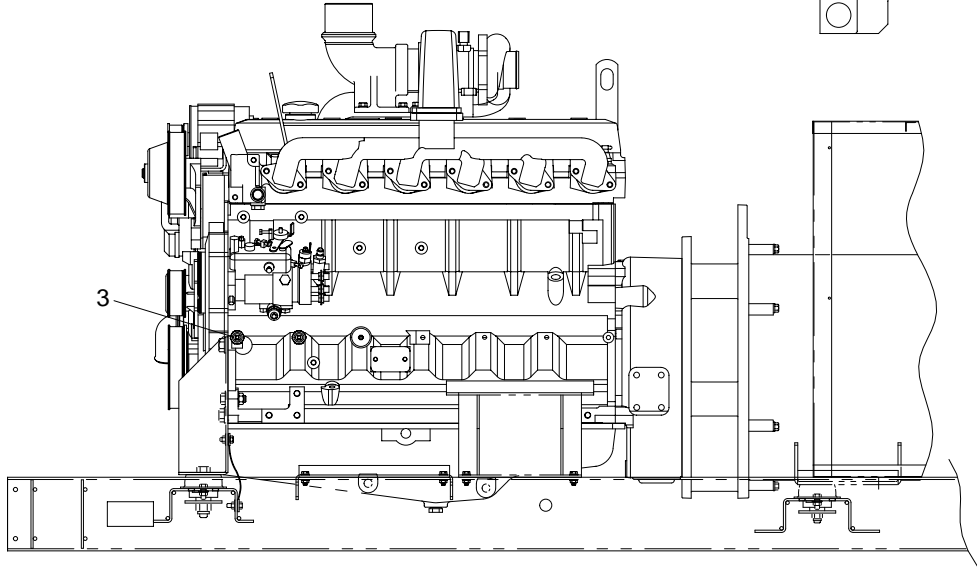
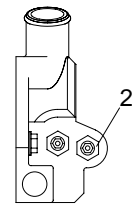
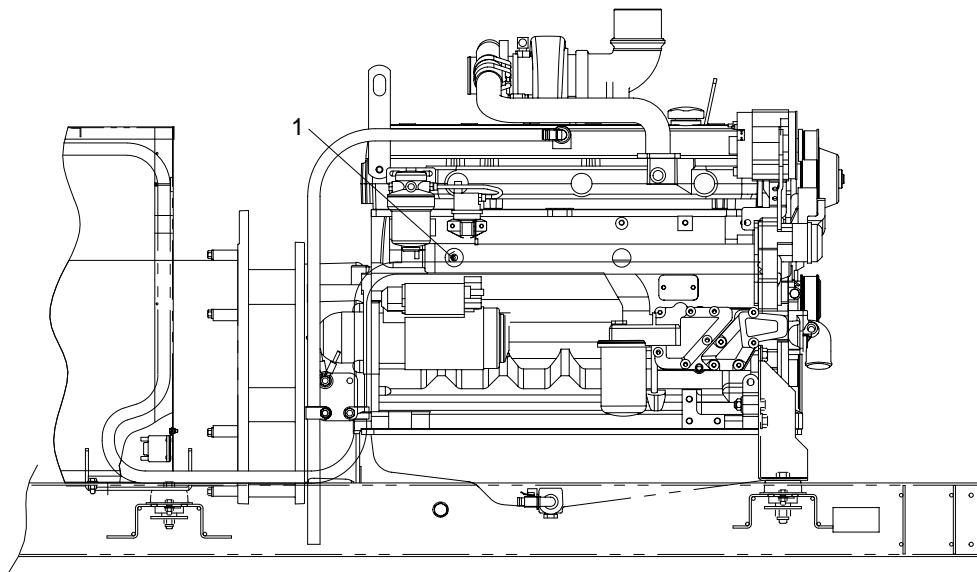
Connect the N ground lead of the engine wiring harness from the engine block ground screw to the other terminal of the switch.

8. Connect lead 40A of the engine wiring harness to the push-on terminal of the anticipatory high water temperature switch.
9. Connect lead 41A of the engine wiring harness to the push-on terminal of anticipatory low oil pressure switch (271425).
10. Close the petcock valve on the bottom of the radiator and/or the engine block. Fill the cooling system to the correct level with fresh coolant. Dispose of all waste materials (engine oil, fuel, coolant, etc.) in an environmentally safe manner. Contact your local authority for disposal procedures and location.
11. Check that the generator master switch is in the OFF position.
12. Reconnect the generator set engine starting battery, negative (–) lead last.
13. Test-run the generator for a few minutes and check for leaks at the switches.
14. Stop generator.

NOTE

Pay special attention to the coolant level. After draining the coolant, allow time for complete refill of the engine water jacket. Check coolant level as prescribed in the Prestart Checklist of the Operation Manual.

Parts List		
Kit: PA-352358		
Qty.	Description	Parts
1	Switch, high temperature	241481
1	Switch, pressure	271425
1	Adapter, water temperature sensor	273692
1	O-ring	273693
1	Switch, low temperature	290090



HZ-273000B-C

1. Anticipatory low water temperature switch (290090), adapter
bushing (273692), and) O-ring (273693)

2. Anticipatory high water temperature switch (241481)
3. Anticipatory low oil pressure switch (271425)

Figure 1. Pipe Plug Removal and Switch Installation Locations