
INSTALLATION INSTRUCTIONS

Original Issue Date: **9/97**
 Model: **6-180 kW**
 Market: **All**
 Subject: **Circuit Board (F-254717) Kit 254844**

Controller circuit board F-254717 has a fault latching in auto feature. Use the following procedure to enable the fault-latching-in-auto feature. Observe the following safety precautions while installing the kit.



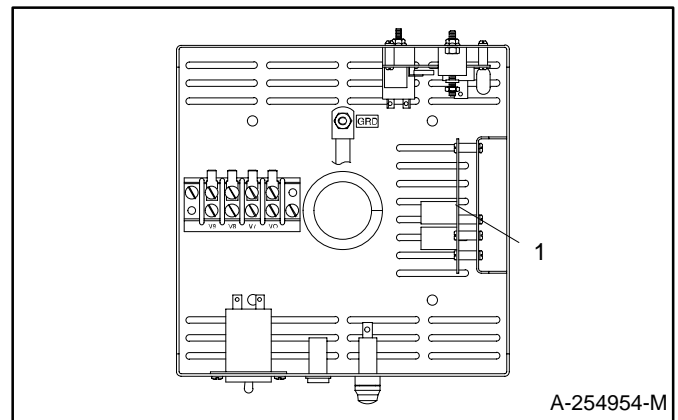
Accidental starting.
Can cause severe injury or death.

Disconnect battery cables before working on generator set. (Remove negative (-) lead first when disconnecting battery. Reconnect negative (-) lead last when reconnecting battery.)

Disabling generator set. Accidental starting can cause severe injury or death. Before working on the generator set or connected equipment, disable the generator set as follows: 1) Disconnect power to battery charger, if equipped. 2) Remove battery cables (remove negative (-) lead first). Reconnect negative (-) lead last when reconnecting battery. Follow these precautions to prevent starting of generator set by the remote start/stop switch.

Installation

1. Place the generator set master switch in the OFF position.
2. Disconnect power to battery charger, if equipped.
3. Disconnect the generator set engine starting battery, negative (-) lead first.
4. Remove screws securing controller cover to controller and remove cover.
5. Locate controller main circuit board. See Figure 1.



1. Controller main circuit board

Figure 1. Relay Controller Internal Components

6. Disconnect plugs and leads connected to controller main circuit board.
7. Remove controller main circuit board from controller.
8. Install new controller main circuit board (F-254717) in controller. See Figure 2.
9. Connect plugs and leads that were disconnected from previous circuit board onto new circuit board.
10. Fabricate a lead from customer-supplied 18 ga. wire for connection to controller circuit board and TB1-4.
11. Connect lead 4 from controller circuit board to remote start terminal block position, TB1-4. See Figure 3.
12. Reinstall controller cover.
13. Check that the generator set master switch is in the OFF position.
14. Reconnect generator set engine starting battery(ies), negative (-) lead last. Reconnect power to battery charger, if equipped.

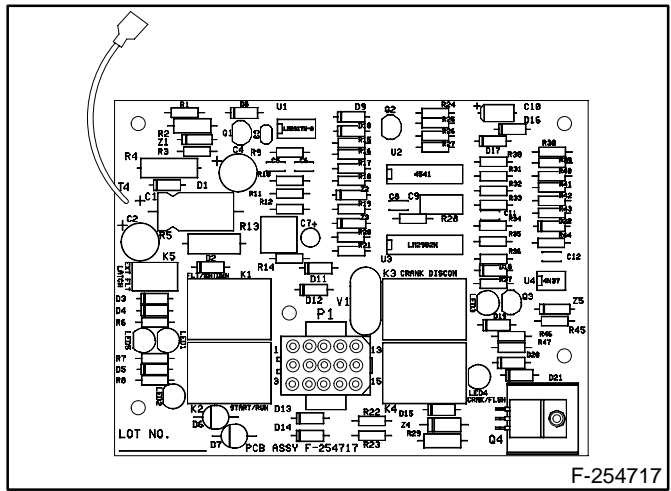


Figure 2. Controller Circuit Board

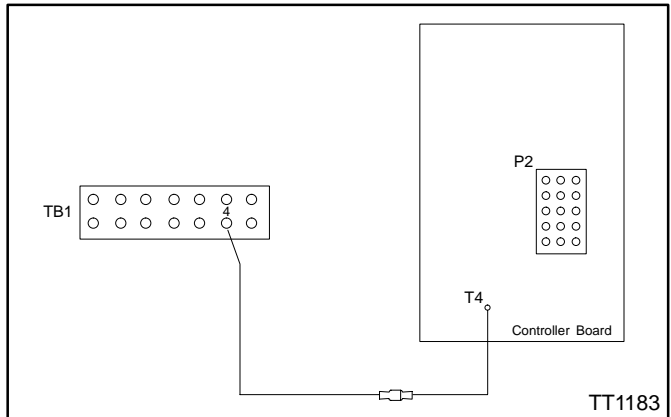


Figure 3. Lead 4 Connection (typical)