

## INSTALLATION INSTRUCTIONS

Original Issue Date: 4/02

Model: **Model KC, KS, and KEP Automatic Transfer Switches**

Market: **Transfer Switches**

Subject: **User Interface Cover Kits GM22703-KP1 and GM22703-KP3**

### Introduction

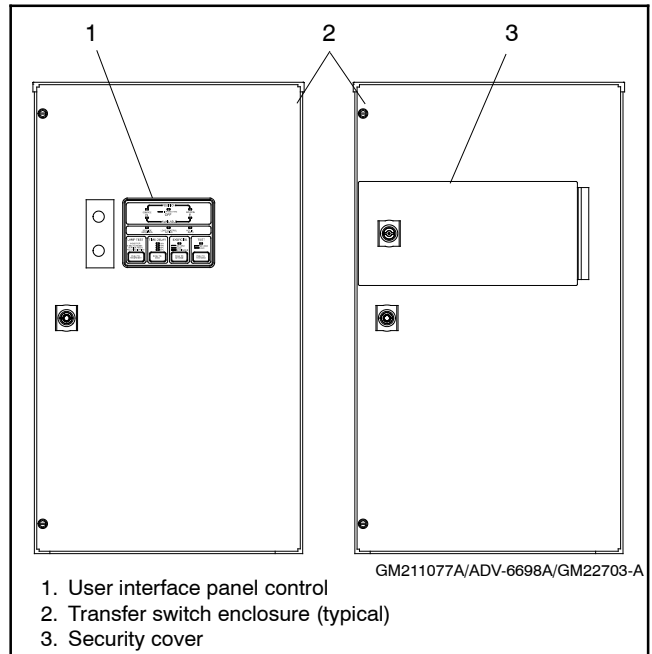
This document provides installation instructions for the user interface covers. The user interface cover prevents unauthorized access to the transfer switch interface panel controls. See Figure 1.

The kits have a hinged, padlockable, rain-tight sheet metal security cover with a keylock providing restricted access to the transfer switch controls. Some kits include a second padlock bracket for the enclosure door on welded enclosures. See Figure 2.

Read the entire installation procedure and compare the kit parts with the parts list at the end of this publication before beginning installation. Perform the steps in the order shown.

### Power Tools Required

- Electric drill
- Drill bit, 6 mm (7/32 in.)



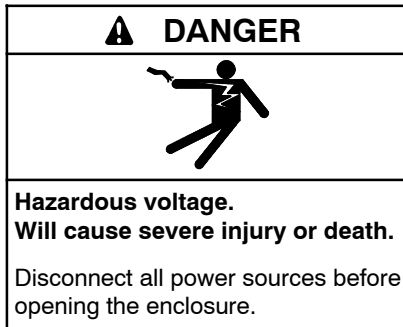
**Figure 1** User Interface Panel Control and Security Cover

Kit No.	Padlockable Door	ATS Size, Amps
GM22703-KP1	Yes	30-1000
GM22703-KP3	No	1200-4000

**Figure 2** Kits

## Safety Precautions

Observe the following safety precautions during installation.



**Servicing the transfer switch. Hazardous voltage will cause severe injury or death.** Deenergize all power sources before servicing. Turn off the main circuit breakers of all transfer switch power sources and disable all generator sets as follows: (1) Move all generator set master controller switches to the OFF position. (2) Disconnect power to all battery chargers. (3) Disconnect all battery cables, negative (-) leads first. Reconnect negative (-) leads last when reconnecting the battery cables after servicing. Follow these precautions to prevent the starting of generator sets by an automatic transfer switch, remote start/stop switch, or engine start command from a remote computer. Before servicing any components inside the enclosure: (1) Remove all jewelry. (2) Stand on a dry, approved electrically insulated mat. (3) Test circuits with a voltmeter to verify that they are deenergized.

(Decision-Maker® 3+ and 550 Generator Set Controllers)

**Servicing the transfer switch. Hazardous voltage will cause severe injury or death.** Deenergize all power sources before servicing. Turn off the main circuit breakers of all transfer switch power sources and disable all generator sets as follows: (1) Press the generator set off/reset button to shut down the generator set. (2) Disconnect power to all battery chargers. (3) Disconnect all battery cables, negative (-) leads first. Reconnect negative (-) leads last when reconnecting the battery cables after servicing. Follow these precautions to prevent the starting of generator sets by an automatic transfer switch, remote start/stop switch, or engine start command from a remote computer. Before servicing any components inside the enclosure: (1) Remove all jewelry. (2) Stand on a dry, approved electrically insulated mat. (3) Test circuits with a voltmeter to verify that they are deenergized.

(RDC, DC, RDC2, DC2, Decision-Maker® 3000, 3500 and 6000 Generator Set Controllers)

**Grounding electrical equipment. Hazardous voltage will cause severe injury or death.** Electrocutation is possible whenever electricity is present. Ensure you comply with all applicable codes and standards. Electrically ground the generator set, transfer switch, and related equipment and electrical circuits. Turn off the main circuit breakers of all power sources before servicing the equipment. Never contact electrical leads or appliances when standing in water or on wet ground because these conditions increase the risk of electrocution.

**Short circuits. Hazardous voltage/current will cause severe injury or death.** Short circuits can cause bodily injury and/or equipment damage. Do not contact electrical connections with tools or jewelry while making adjustments or repairs. Remove all jewelry before servicing the equipment.

### NOTICE

**Foreign material contamination.** Cover the transfer switch contactor and logic assembly during drilling to keep dirt, grit, metal drill chips, and other debris out of the components.

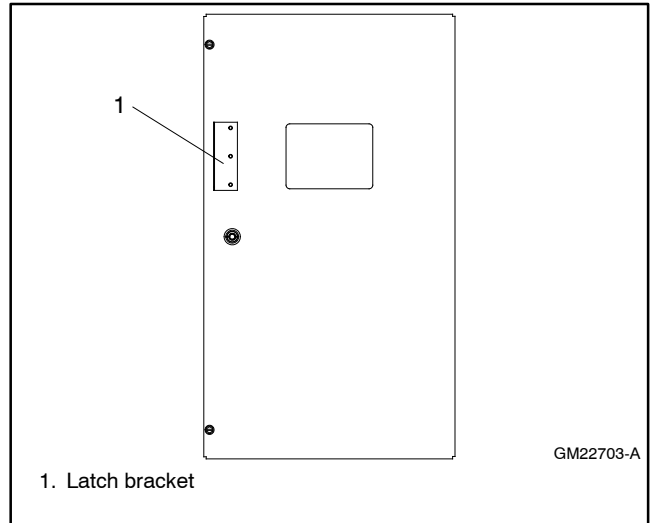
## Installation Procedure

1. **Remove the generator set and transfer switch from service.**
  - 1.1 Place all generator set master switches in the OFF position or press the OFF/RESET button on the generator set controller, as applicable.
  - 1.2 Disconnect the power to all battery chargers, if equipped.
  - 1.3 Disconnect all generator set engine starting battery(ies), negative (-) leads first.
  - 1.4 Disconnect all power sources to transfer switches and power monitors.
  - 1.5 Turn off and disconnect the power to all devices in the system.
  - 1.6 Open the transfer switch enclosure.

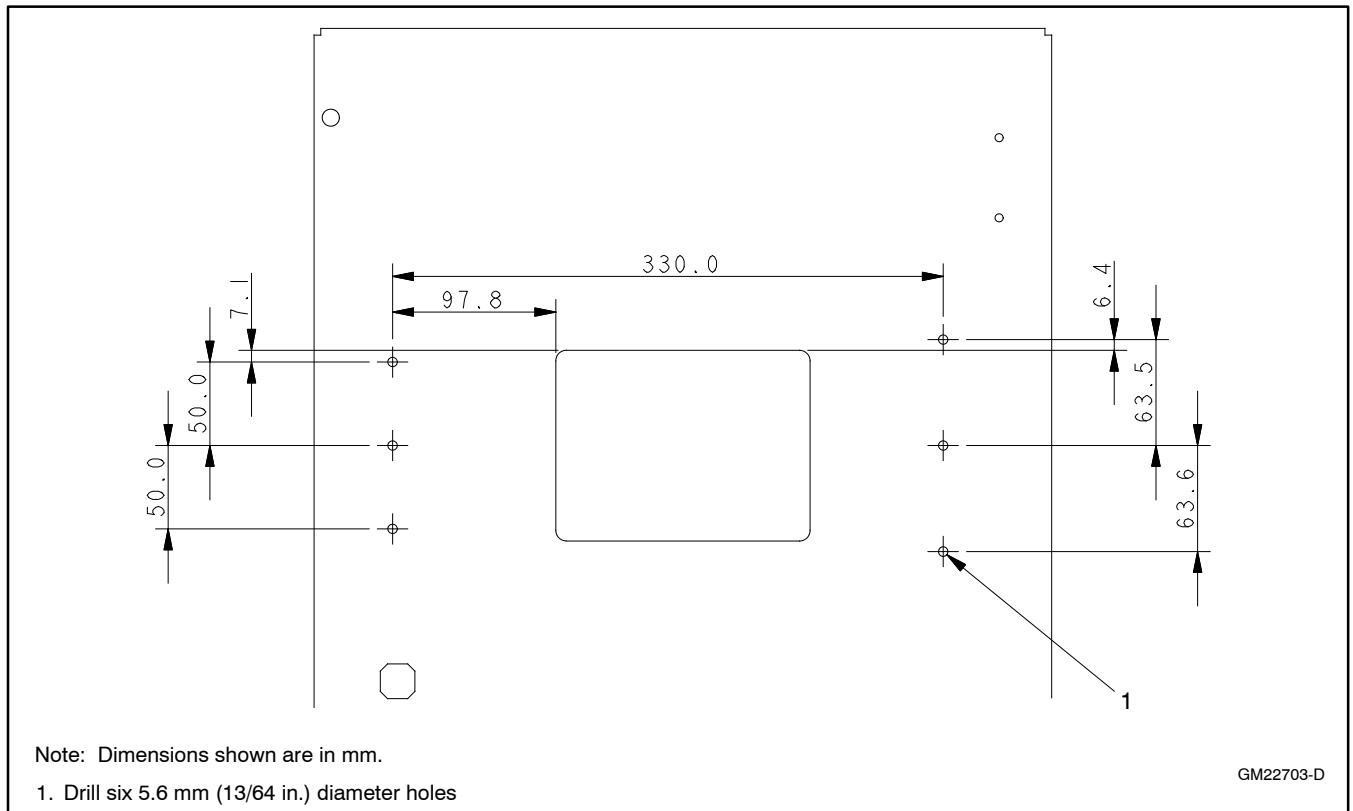
## 2. Install the security cover and bracket.

**Note: Foreign material contamination.** Cover the transfer switch contactor and logic assembly during drilling to keep dirt, grit, metal drill chips, and other debris out of the components.

- 2.1 Drill six 5.6 mm (13/64 in.) diameter holes in the transfer switch door as shown in Figure 4. Dimensions shown are mm. Remove burrs and metal chips.
- 2.2 Attach the latch bracket (GM100212) to the outside surface of the door using three 10-32 nuts (X-6210-1). Do not final-tighten the nuts at this time. See Figure 3.

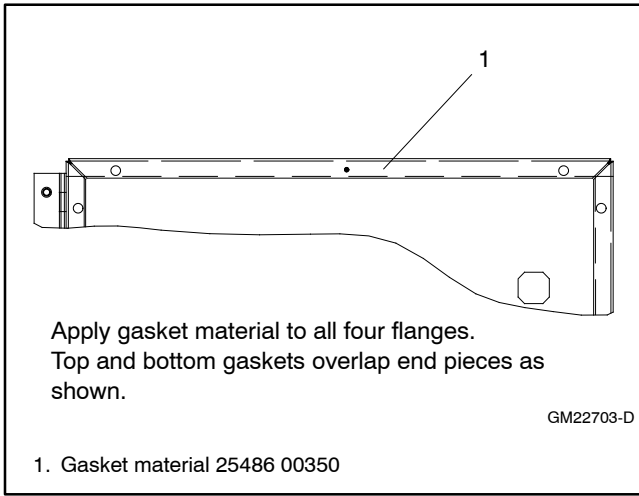


**Figure 3** Latch Bracket Installed on the Enclosure Door (see Figure 4 for hole locations)



**Figure 4** Drill Holes in Transfer Switch Door

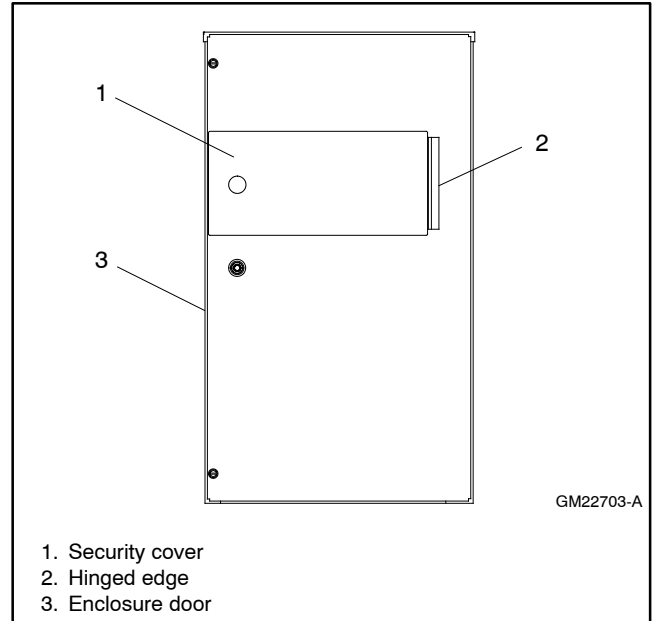
2.3 Apply gasket material (25486 00350) to all four flanges on cover (GM89254), cutting the strips to fit. The top and bottom gaskets should overlap the corners of the cover as shown in Figure 5.



**Figure 5** Gasket

2.4 Attach security cover (GM89254) to the outside surface of the door using three 10-32 nuts (X-6210-1). See Figure 6. Do not final-tighten the nuts at this time.

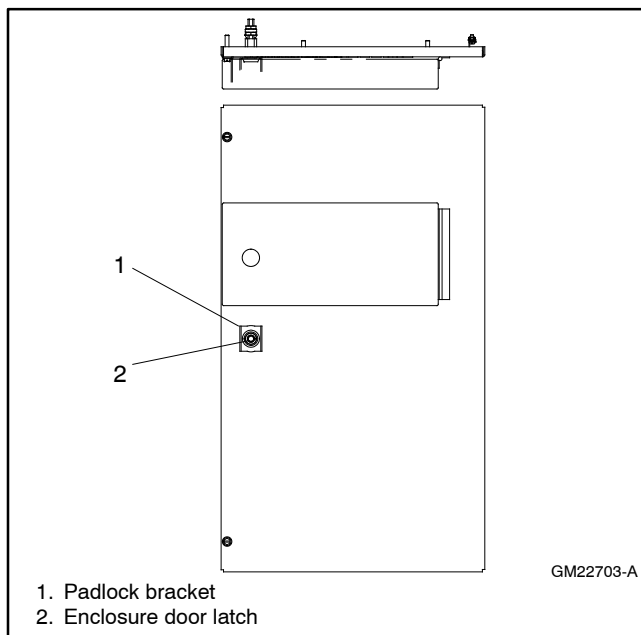
2.5 Verify that the security door is level. Verify that the security door and latch align. Adjust the hardware as necessary. Final-tighten the six nuts.



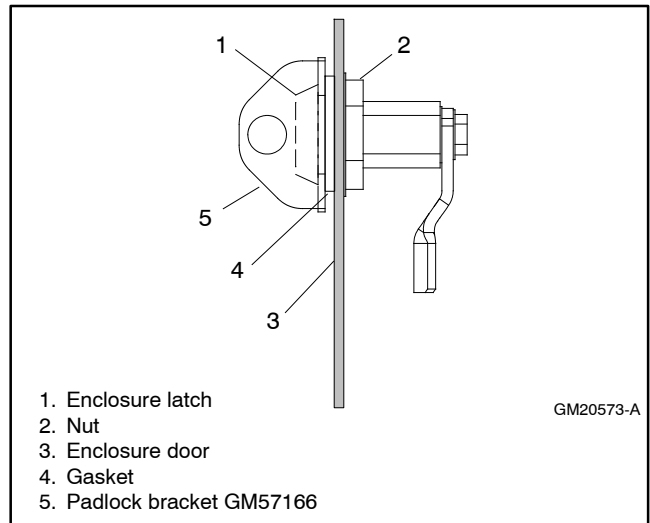
**Figure 6** Attaching Security Cover

**3. Install padlock bracket on enclosure door (GM22703-KP1 kit for welded enclosures only).**

- 3.1 Remove the existing enclosure door latch on the enclosure door (welded enclosure). Save for reuse. See Figure 7.
- 3.2 Place the padlock bracket (GM57166) and enclosure latch gasket on the enclosure door latch. Place the door latch assembly in the hole of the door. Position the padlock bracket with the padlock holes horizontal. Install and tighten the mounting nut. See Figure 8.
- 3.3 Verify that the enclosure door latch locks and unlocks the enclosure door. Adjust the hardware as necessary.



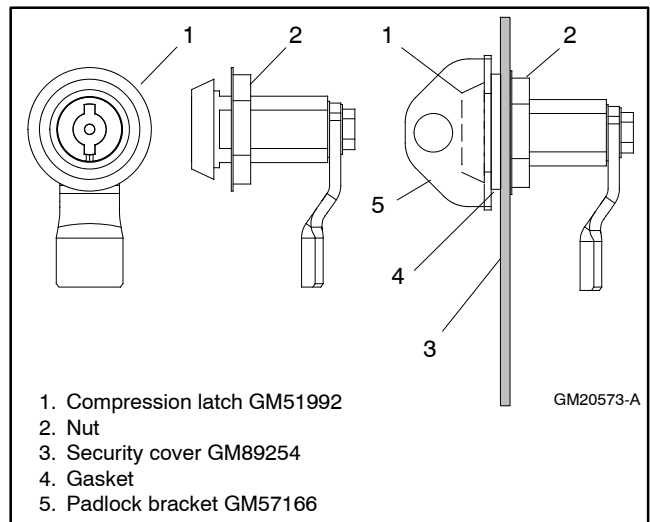
**Figure 7** Attaching Padlock Bracket on Enclosure Door (welded enclosures only)



**Figure 8** Enclosure Latch

**4. Install compression latch on security cover.**

- 4.1 Remove the nut from the compression latch (GM51992). See Figure 9.

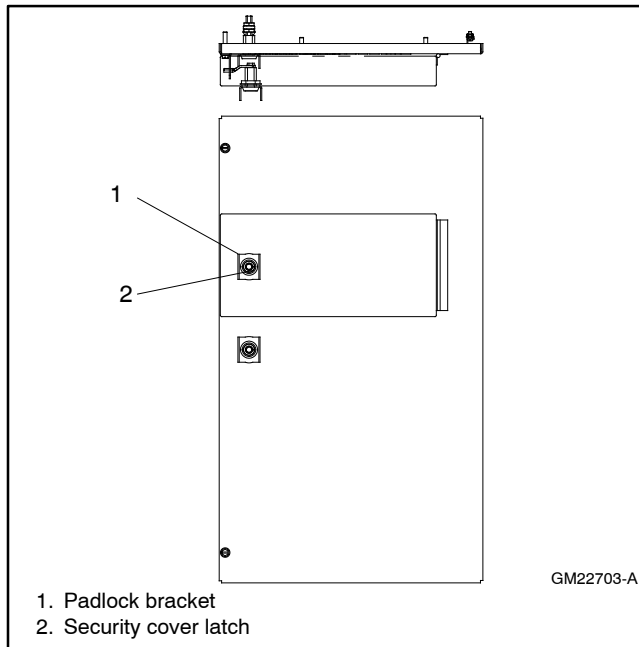


**Figure 9** Compression Latch with Padlock Bracket

4.2 Place the padlock bracket (GM57166) and compression latch gasket on the compression latch (GM51992). Place the compression latch assembly in the hole of the security cover. Position the padlock bracket with the padlock holes horizontal. Install and tighten the mounting nut. See Figure 10.

4.3 Verify that the compression latch locks and unlocks the security cover. Adjust the hardware as necessary.

If the compression latch does not lock, verify that the security door is level. Verify that the security cover and latch bracket align. Adjust the hardware as necessary.



**Figure 10** Attaching Compression Latch and Padlock Bracket on Security Cover

## 5. Restore the generator set and transfer switch to service.

- 5.1 Close and secure the transfer switch enclosure.
- 5.2 Close and secure the transfer switch security cover.
- 5.3 Check that all generator set master switches are in the OFF position.
- 5.4 Reconnect the generator set engine starting battery(ies), negative (-) leads last.
- 5.5 Reconnect power to the battery charger, if equipped.
- 5.6 Reconnect all power sources to the transfer switches and power monitors.
- 5.7 Reconnect power to all devices in the system.
- 5.8 Place all generator set master switches in the AUTO position.

# Parts List

## User Interface Cover Kits

Kits: GM22703-KP1 and GM22703-KP3				
Qty.	Description	Common Parts	Unique Parts	
			GM22703-KP1	GM22703-KP3
2	Bracket, padlock		GM57166 (qty. 2)	
1	Bracket, padlock			GM57166 (qty. 1)
1	Cover, security	GM89254		
1	Bracket, latch	GM100212		
1	Latch, compression (key operated)	GM51992		
2	Key, compression latch	GM51993		
6	Nut, 10-32	X-6210-1		
3.4	Rubber, NEMA 3R Gasket (.25”T x .50”W)	25486 00350		
* Cover with window is no longer available.				

KOHLER CO., Kohler, Wisconsin 53044 USA  
Phone 920-457-4441, Fax 920-459-1646  
For the nearest sales and service outlet in the  
US and Canada, phone 1-800-544-2444  
KOHLERPower.com

Kohler Power Systems  
Asia Pacific Headquarters  
7 Jurong Pier Road  
Singapore 619159  
Phone (65) 6264-6422, Fax (65) 6264-6455

---

Availability is subject to change without notice. Kohler Co. reserves the right to change the design or specifications without notice and without any obligation or liability whatsoever. Contact your local Kohler® generator set distributor for availability.

© 2014, 2017 by Kohler Co. All rights reserved.