

---

## INSTALLATION INSTRUCTIONS

---

Original Issue Date: **10/89**

Model: **20-300 kW**

Market: **Standby**

Subject: **Line Circuit Breaker Kits (Type 2 Mounting)**

### Introduction

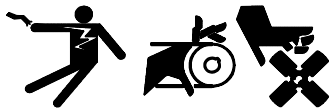
The line circuit breaker kit is used as an interrupting device to protect the load and generator set from overload. The circuit breaker is installed on the left side of the generator set junction box.

### Safety Precautions

Observe the following safety precautions while installing the kit.

---

#### ⚠ WARNING



**Accidental starting.  
Can cause severe injury or death.**

Disconnect the battery cables before working on the generator set. Remove the negative (-) lead first when disconnecting the battery. Reconnect the negative (-) lead last when reconnecting the battery.

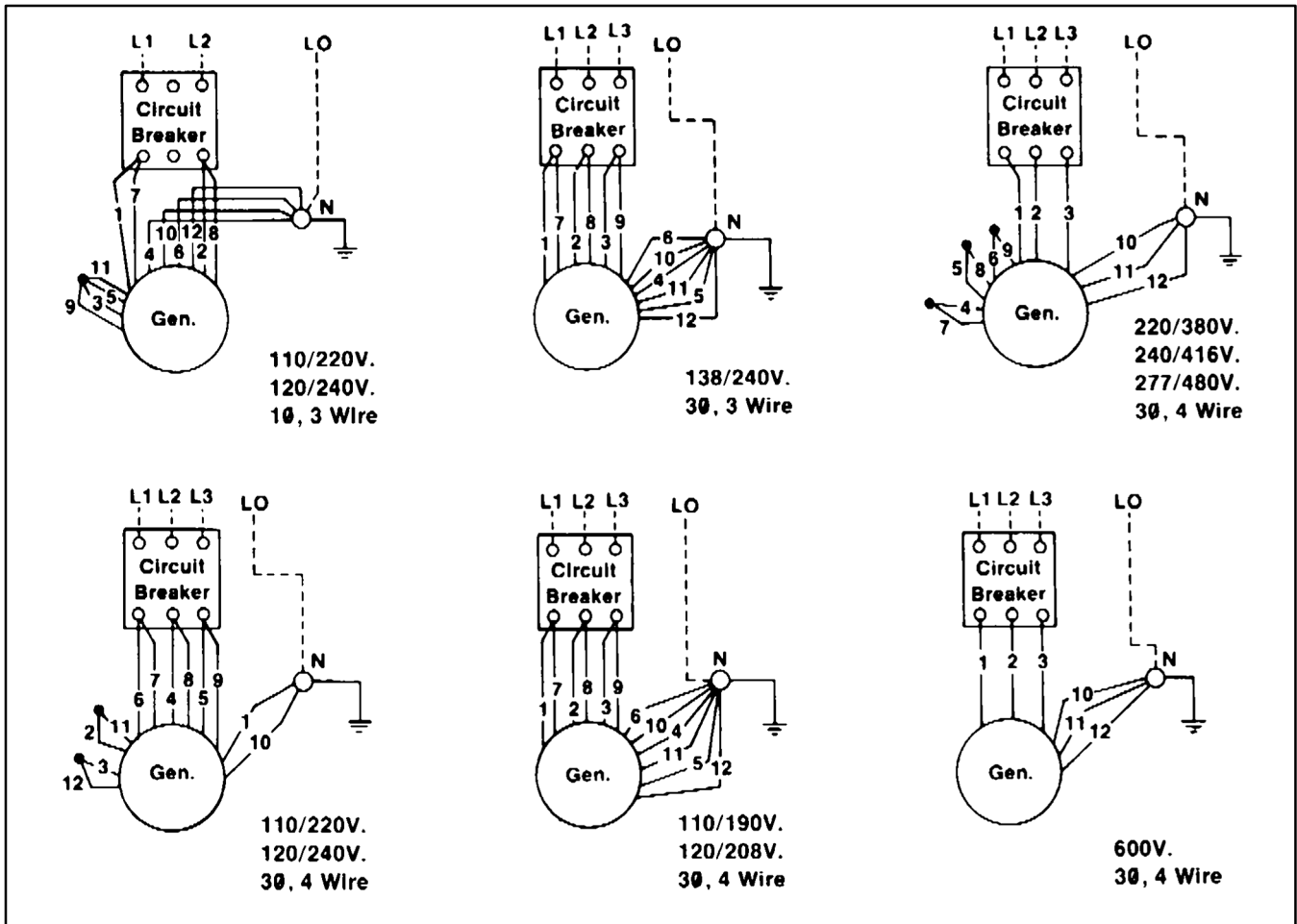
---

**Disabling the generator set. Accidental starting can cause severe injury or death.** Before working on the generator set or connected equipment, disable the generator set as follows: (1) Move the generator set master switch to the OFF position. (2) Disconnect the power to the battery charger. (3) Remove the battery cables, negative (-) lead first. Reconnect the negative (-) lead last when reconnecting the battery. Follow these precautions to prevent starting of the generator set by an automatic transfer switch, remote start/stop switch, or engine start command from a remote computer.

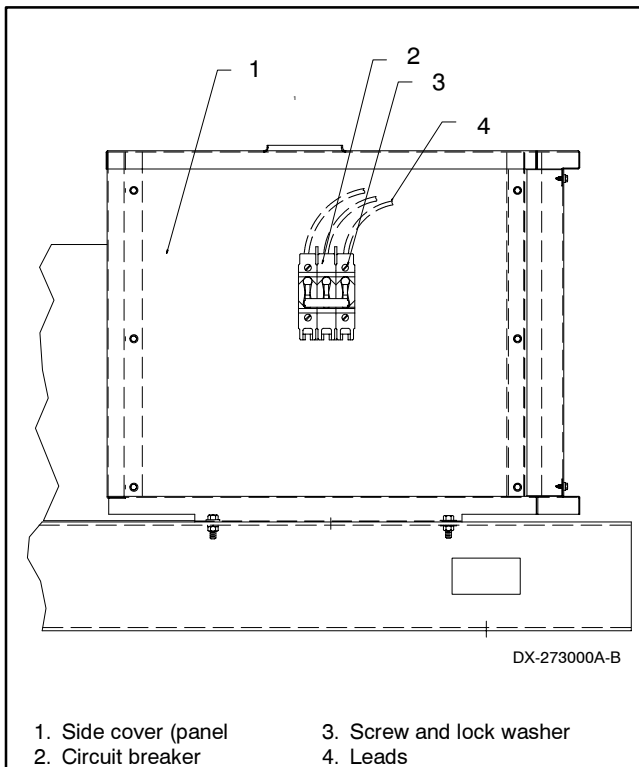
### Installation Procedure

1. Place the generator set master switch in the OFF position.
2. Disconnect the power to the battery charger, if equipped.
3. Disconnect the generator set engine starting battery(ies), negative (-) lead first.
4. Remove the left-side panel of the junction box by removing the six screws.
5. Wire the circuit breaker according to the proper wiring diagram, see Figure 1.
 

**Note:** After connecting jumper leads to generator leads, be sure to insulate with electrical tape.
6. With new panel clean and dry, attach decals and nameplate. See old panel for locations.
7. Install the circuit breaker to the new panel with the four included screws and lock washers, see Figure 2.
8. Attach the new panel to junction box by replacing the six screws.
9. Check that the generator set master switch is in the OFF position.
10. Reconnect the generator set engine starting battery, negative (-) lead last.
11. Reconnect power to the battery charger, if equipped.



**Figure 1** Circuit Breaker Wiring Diagrams



**Figure 2** Circuit Breaker Assembly

### Parts List

| Qty. | Description           | Part Number |
|------|-----------------------|-------------|
| 4    | Washer, #6 lock       | X-25-9      |
| 4    | Screw, 6-32 x 3/8 in. | X-49-2      |
| 1    | Decal, stripes        | X-6232-1    |
| 1    | Nameplate             | 241541      |
| 1    | Decal, Nameplate      | 255084      |

| <b>Kit No.</b> | <b>Poles</b> | <b>Volts</b> | <b>Amps</b> | <b>Circuit Breaker</b> | <b>Side Cover</b> |
|----------------|--------------|--------------|-------------|------------------------|-------------------|
| PA-254877      | 3            | 600          | 70          | 258381                 | 254726            |
| PA-254878      | 3            | 480          | 80          | 253225                 | 254726            |
| PA-255066      | 3            | 600          | 40          | 269252                 | 273551            |
| PA-255067      | 3            | 600          | 60          | 253224                 | 273551            |
| PA-255068      | 3            | 480          | 80          | 253225                 | 273551            |
| PA-255069      | 3            | 480          | 100         | 253226                 | 273551            |
| PA-255962      | 3            | 600          | 30          | 269250                 | 273551            |
| PA-255964      | 3            | 600          | 50          | 258928                 | 273551            |
| PA-273569      | 3            | 600          | 40          | 269252                 | 273551            |
| PA-273570      | 3            | 600          | 60          | 253224                 | 273551            |
| PA-273571      | 3            | 480          | 80          | 253225                 | 273551            |
| PA-273572      | 3            | 480          | 100         | 253226                 | 273551            |
| PA-273576      | 3            | 600          | 50          | 258928                 | 273551            |
| PA-273582      | 3            | 600          | 30          | 269250                 | 273551            |
| PA-274482      | 3            | 600          | 40          | X-6250-2               | 274512            |
| PA-274483      | 3            | 600          | 60          | X-6250-3               | 274512            |
| PA-274484      | 3            | 480          | 80          | X-6250-4               | 274512            |
| PA-274485      | 3            | 480          | 100         | X-6250-5               | 274512            |
| PA-274486      | 3            | 600          | 50          | X-6250-6               | 274512            |
| PA-274487      | 3            | 600          | 30          | X-6250-1               | 274512            |
| PA-335011-SD   | 3            | 600          | 40          | 269252                 | 222974-SD         |
| PA-335012-SD   | 3            | 600          | 60          | 253224                 | 222974-SD         |
| PA-335013-SD   | 3            | 480          | 80          | 253225                 | 222974-SD         |
| PA-335014-SD   | 3            | 480          | 100         | 253226                 | 222974-SD         |
| PA-335026-SD   | 3            | 600          | 30          | 269250                 | 222974-SD         |
| PA-335054-SD   | 3            | 600          | 40          | X-6250-2               | 222976-SD         |
| PA-335055-SD   | 3            | 600          | 60          | X-6250-3               | 222976-SD         |
| PA-335056-SD   | 3            | 480          | 80          | X-6250-4               | 222976-SD         |
| PA-335057-SD   | 3            | 480          | 100         | X-6250-5               | 222976-SD         |
| PA-335058-SD   | 3            | 600          | 50          | X-6250-6               | 222976-SD         |
| PA-335059-SD   | 3            | 600          | 30          | X-6250-1               | 222976-SD         |