
INSTALLATION INSTRUCTIONS

Original Issue Date: 6/91

Model: 10RY/RZ, 12RY/RZ, 17RY, 18RY/RZ, 22RY

Market: Residential/Commercial

Subject: Line Circuit Breaker Kits

Introduction

Note: See the Kohler Power Systems Price List for availability and selection of line circuit breakers.

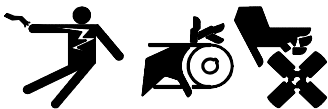
The line circuit breaker kit is used as an interrupting device to protect the equipment and generator set from overload. The circuit breaker is installed on the junction box side panel.

Read the entire installation procedure and compare the kit parts with the parts list at the end of this publication before beginning installation. Perform the steps in the order shown.

Safety Precautions

Observe the following safety precautions while installing the kit.

⚠ WARNING



Accidental starting.
Can cause severe injury or death.

Disconnect the battery cables before working on the generator set. Remove the negative (-) lead first when disconnecting the battery. Reconnect the negative (-) lead last when reconnecting the battery.

Disabling the generator set. Accidental starting can cause severe injury or death. Before working on the generator set or connected equipment, disable the generator set as follows: (1) Move the generator set master switch to the OFF position. (2) Disconnect the power to the battery charger. (3) Remove the battery cables, negative (-) lead first. Reconnect the negative (-) lead last when reconnecting the battery. Follow these precautions to prevent starting of the generator set by an automatic transfer switch, remote start/stop switch, or engine start command from a remote computer.

Installation Procedure

1. Place the generator set master switch in the OFF position.
2. Disconnect the power to the battery charger, if equipped.
3. Disconnect the generator set engine starting battery(ies), negative (-) lead first.
4. Remove the junction box mounting panel by removing four screws. This panel will not be reused; however, save the hardware for later.
5. Wire the circuit breaker according to the proper wiring diagram. See Figure 1 or Figure 2.

Note: After connecting jumper leads to generator leads, be sure to insulate with electrical tape.

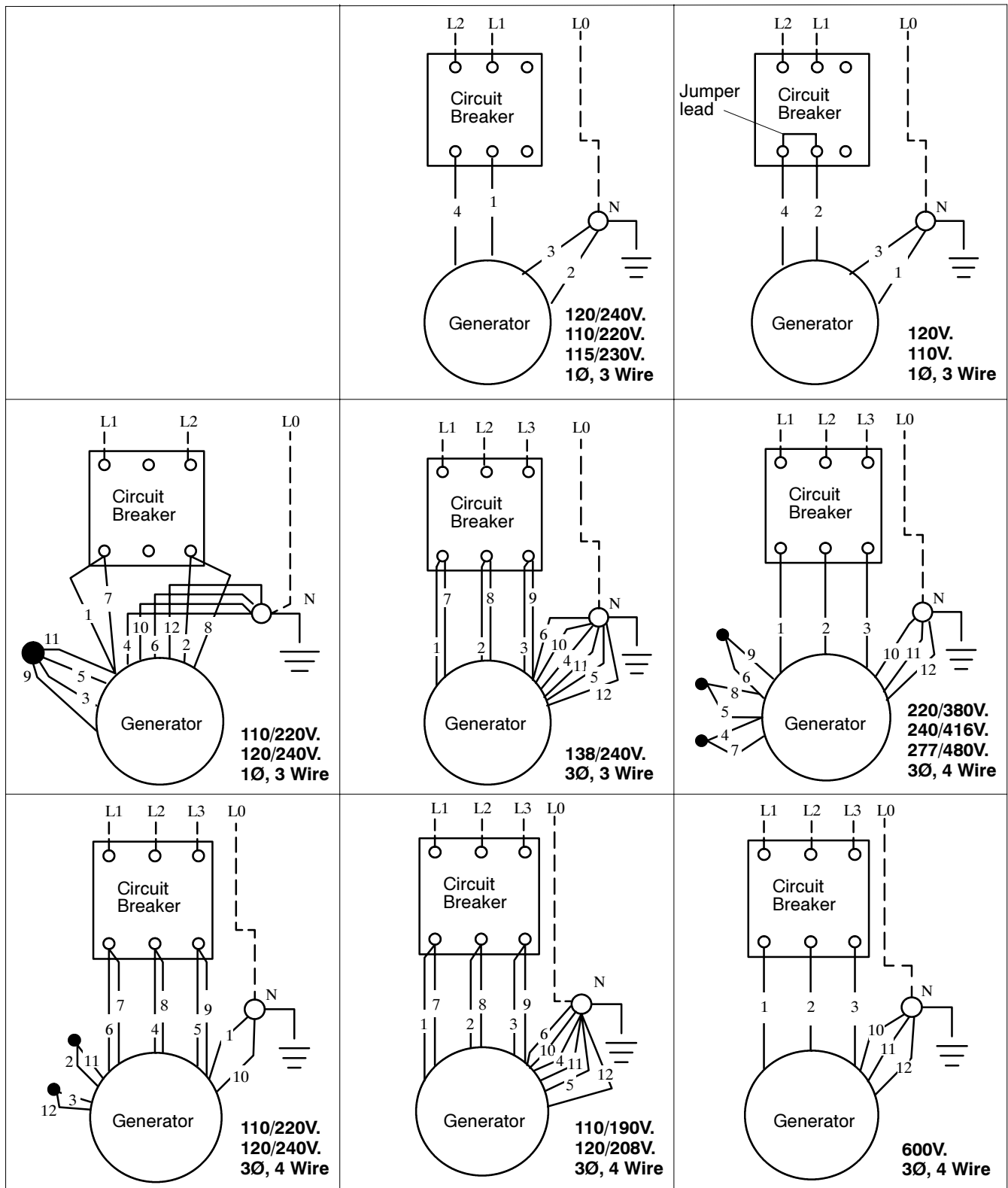
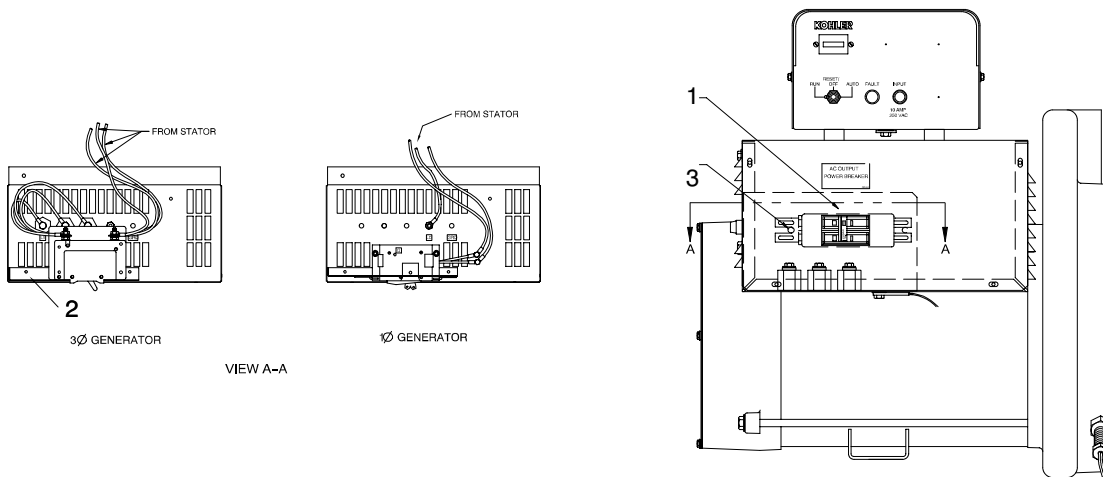
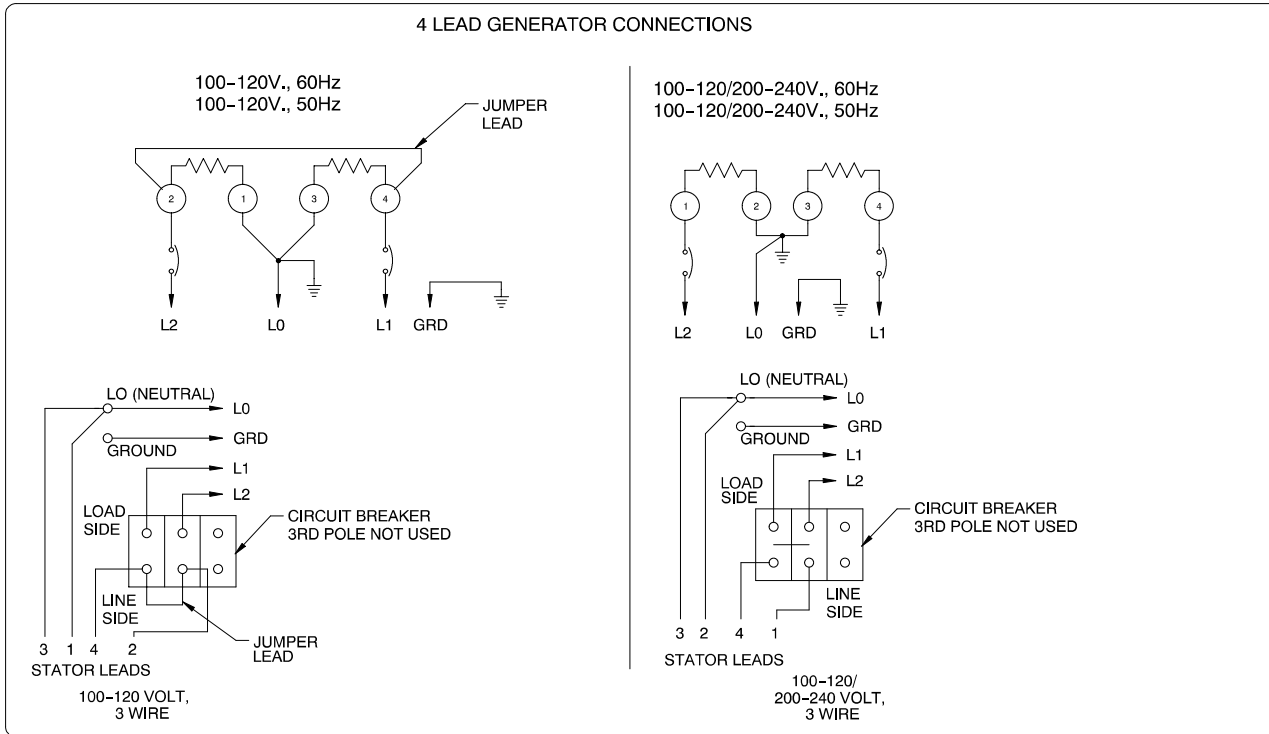
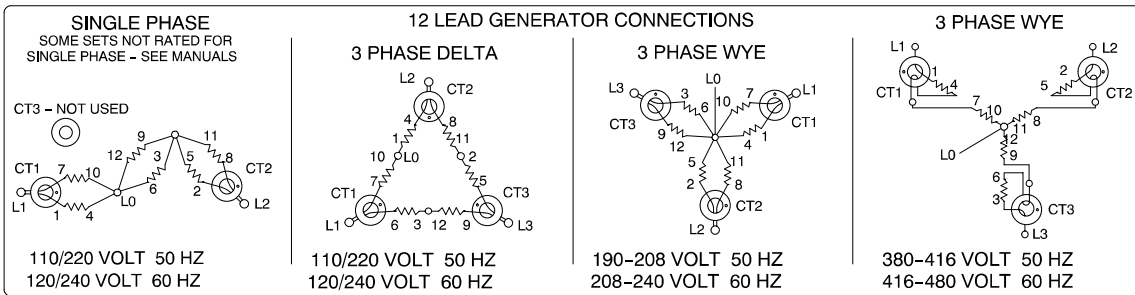


Figure 1 Circuit Breaker Wiring Diagrams, 10/12/18RY/RZ



1. Circuit breaker
2. Mounting bracket GM22418
3. X-49-2 (4), #6 hardware (4)

GM22494

Figure 2 Installation and Connection Drawing, 17/22RY

6. Install the circuit breaker to the new panel or mounting bracket with four screws and lock washers. See Figure 2 or Figure 3.
 7. Attach the new panel to the junction box by replacing four screws.
 8. For 3-phase 10/12/18 kW units, assemble button plug (X-301-23) into the mounting panel. See Figure 3 for proper location.
 9. For single phase units, remount voltage regulator fuse holder into proper position through hole
10. Check that the generator set master switch is in the OFF position.
 11. Reconnect the generator set engine starting battery, negative (-) lead last.
 12. Reconnect power to the battery charger, if equipped.

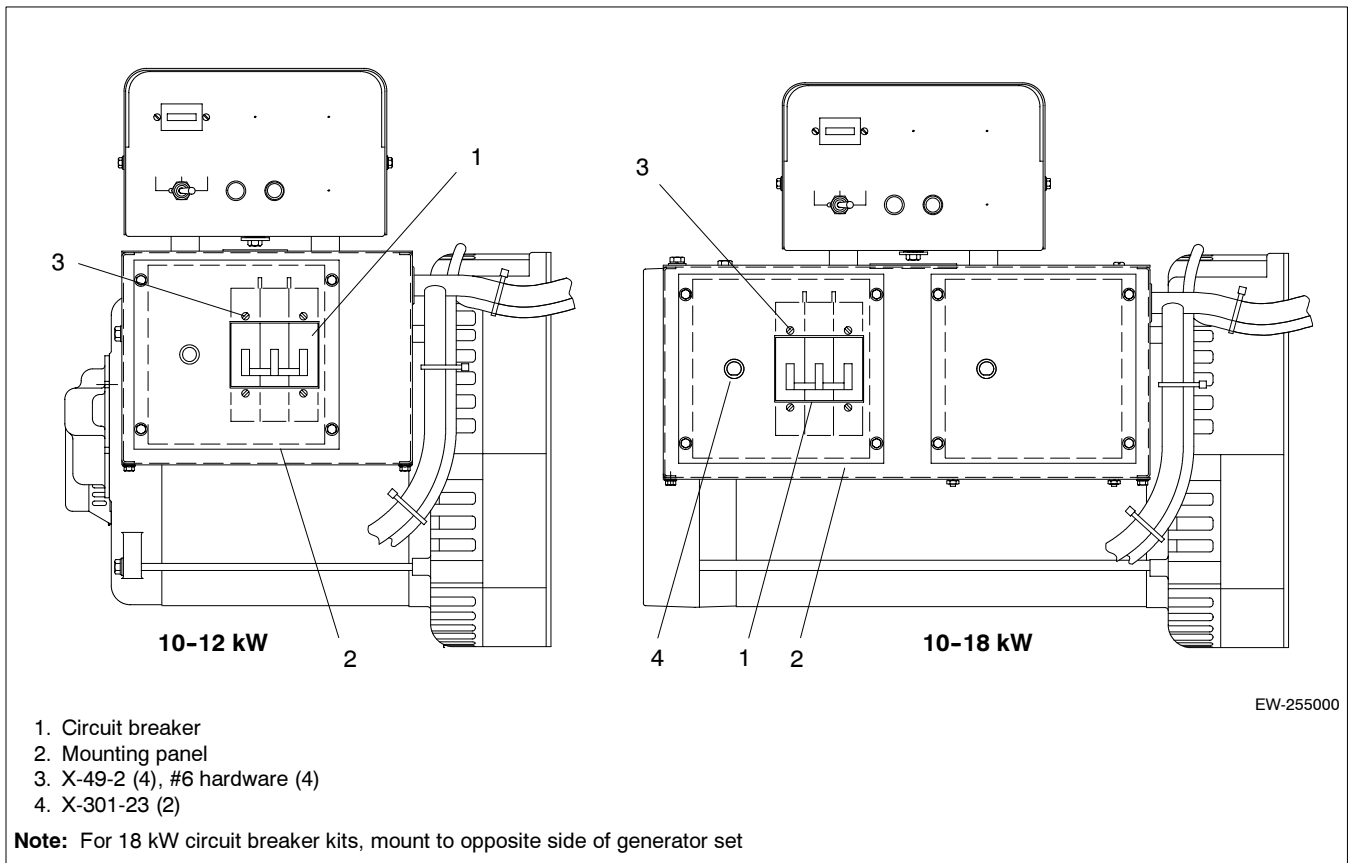


Figure 3 Installation Drawings, 10/12/18RY/RZ

Parts List

Line Circuit Breaker Kits										
Kit Number	Poles	Amps	Volts	Circuit Breaker	Mounting Panel or Bracket	10RY/RZ	12RY/RZ	17RY	18RY/RZ	22RY
PA-254729	3	15	600	250575	254726	X	X			
PA-254730	3	20	600	269251	254726	X	X			
PA-254731	3	30	600	269250	254726	X	X		X	
PA-254732	3	40	600	269252	254726	X	X		X	
PA-254733	3	50	600	258928	254726	X	X		X	
PA-254876	3	60	600	253224	254726		X		X	
PA-254877	3	70	600	258381	254726				X	
PA-254878	3	80	600	253225	254726				X	
GM22494-KP1	3	20	600	269251	GM22418			X		X
GM22494-KP2	3	25	600	225168	GM22418			X		X
GM22494-KP3	3	30	600	269250	GM22418			X		X
GM22494-KP4	3	40	600	269252	GM22418			X		X
GM22494-KP5	3	50	600	258928	GM22418			X		X
GM22494-KP6	3	60	600	253224	GM22418			X		X
GM22494-KP7	3	80	600	253225	GM22418			X		X

Common Parts		
Qty.	Description	Part Number
4	Washer lock #6	#6 hardware
4	Screw 6-32 x 3/8	X-49-2
1	Button plug (3-phase 10, 12, 18 kW units only)	X-301-23

Notes