

Load Bus (kit PA-274689)



⚠ WARNING

Hazardous voltage can cause death or severe injury. Install this kit before connecting the generator to the planned system. Make sure that starting battery(ies) is not connected to the generator set, while installing kit. Disconnect battery negative (-) lead first, and reconnect it last.

This kit provides load bus bars for 20RZ/ROZ, through 60RZ/ROZ generator sets. See the following illustrations for reference in installing the kit. Use one of the three following terminal lug kits, selection depending on size of cables to be connected to the bus bars.

Lug Kit Selection

Cable Size	Terminal Lug Kit	Cables per Lug	Terminal Lug No.	Attaching Hardware
3/0 - 08	274693	1	X-6207-7 (4)	X-465-9 (4), 275473, (4), X-81-8, X-25-40 (8), X-20-14 (4)
350 MCM - 06	274694	1	X-6207-8 (4)	X-6238-4 (4), 275471 (4), X-83-2 (4), X-22-1 (4), X-25-18 (8)
500 MCM - 04	274695	1	X-6207-8 (8)	X-6238-4 (8), 275474 (4), X-83-2 (8), X-22-1 (8), X-22-14 (8)

Installation

Note:

Before starting, decide whether terminal lugs are to be mounted in upper, or lower positions (based on junction box entry point for output cables as specified in plans).

1. Assemble bus assembly mounting brackets (275457 & 275458) to junction box as shown in Figure 3.
2. Mount bus bars (275468) to bus supports (2754680). Final tighten all bus bar mounting hardware.
3. Mount terminal lugs to the bus bars in either upper, middle or lower, position as shown in Figures 1 and 2.
4. Route generator leads through current transformers for connection to bus bars as shown in Figure 3, according to system voltage specified in plans. Connect generator leads to bus bars as shown in Figures 2 and 3.
5. Mount the lug insulator pad (275562) to the left-side junction box side cover, as shown in Figure 2. Reinstall junction box side covers.

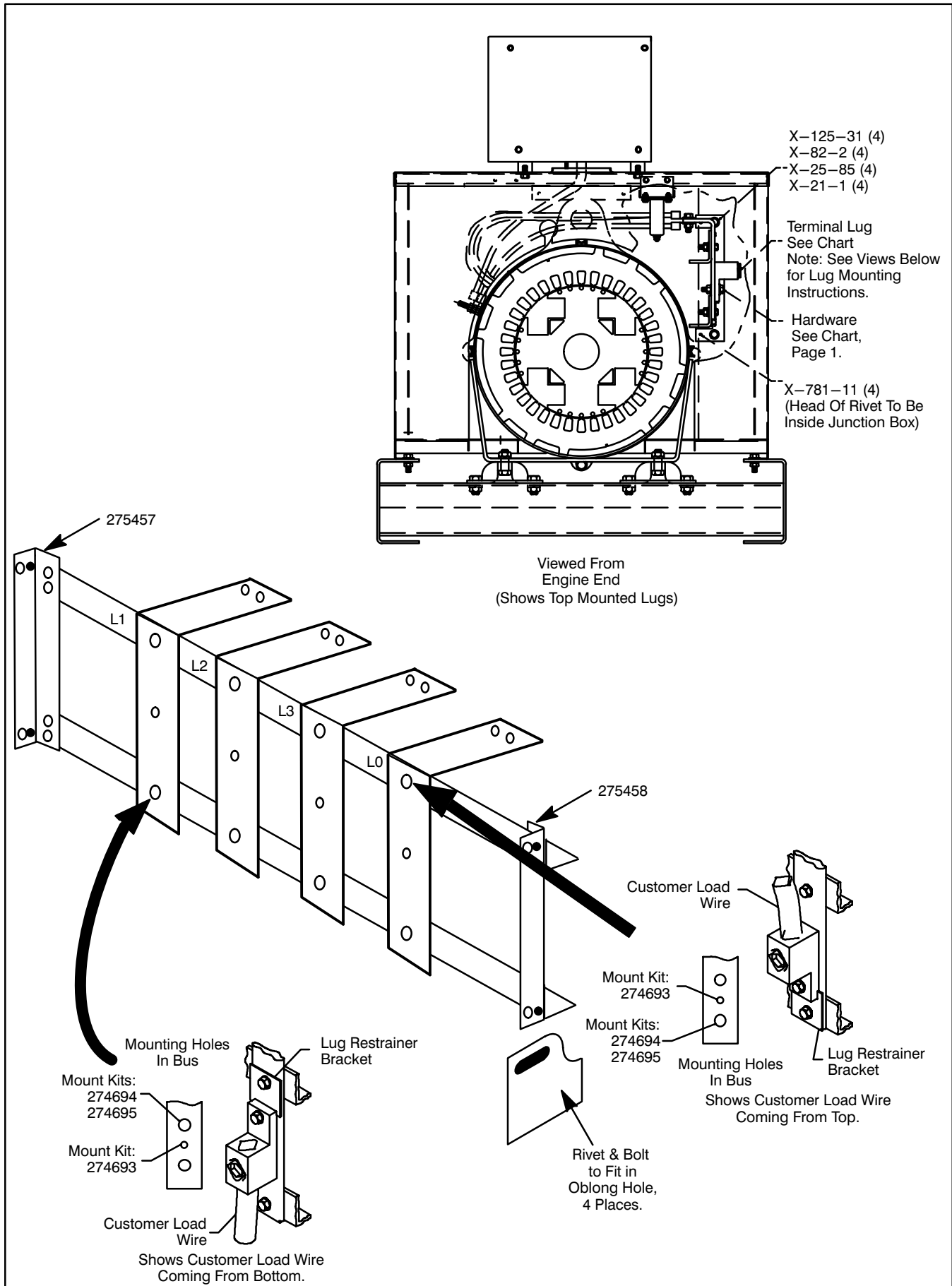


Figure 1. Assembly

Note:
For Use In Junction Box 273428.

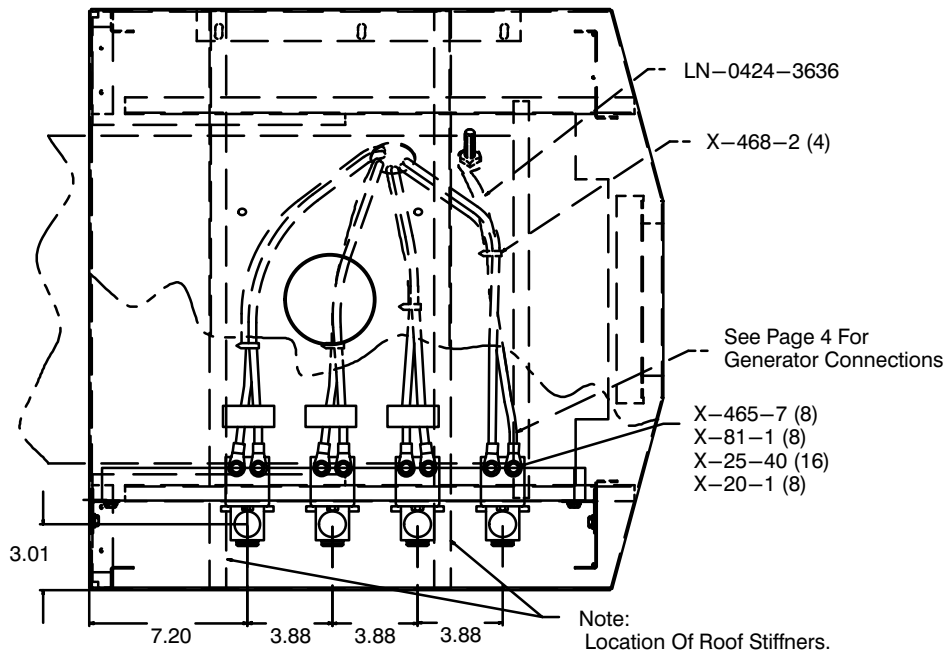
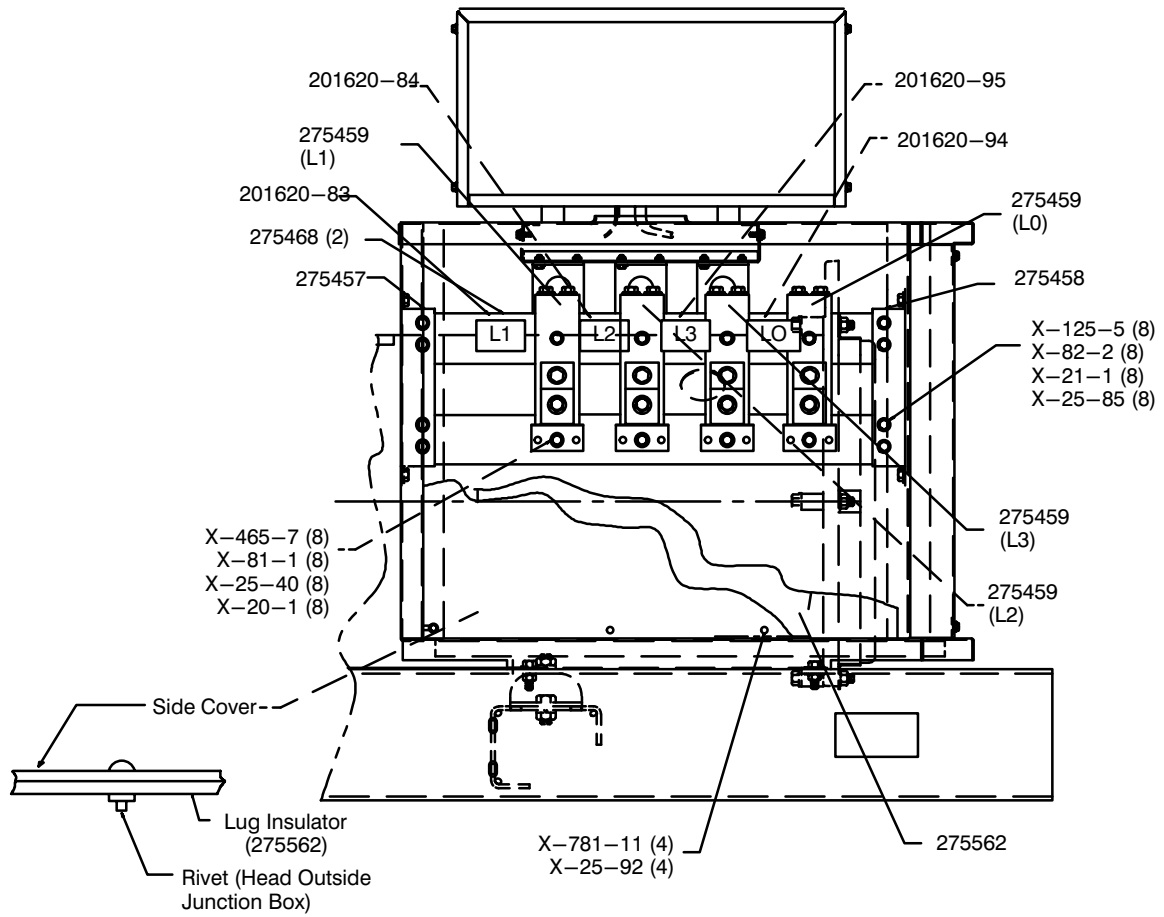
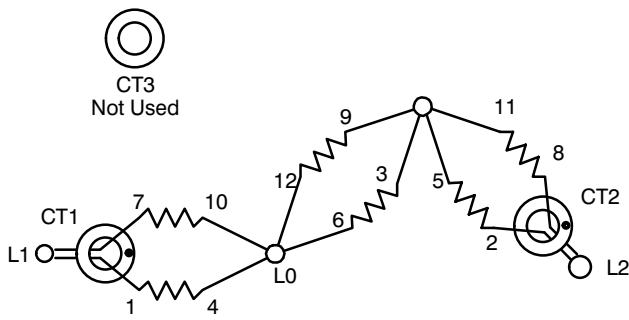
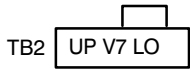


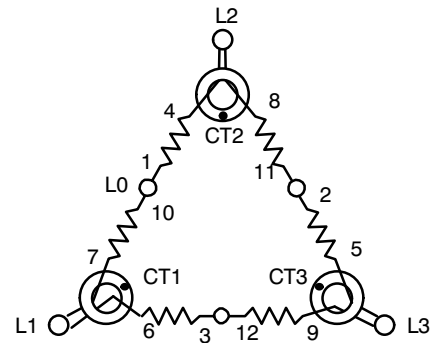
Figure 2. Installation



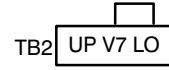
120/240—Volt, 60 Hz, 1—Phase, 3—Wire;
110/220—Volt, 50 Hz, 1—Phase, 3—Wire
(20 – 100 kW Only).



Meter Scale
Lamp Jumper
Located in
Meter Box

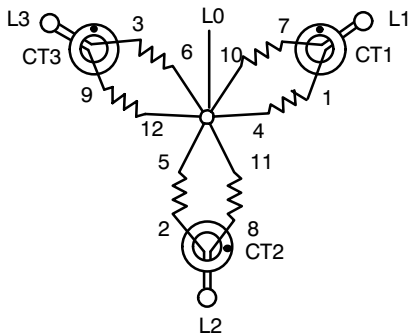


120/240—Volt, 60 Hz, 3—Phase, 4—Wire, Delta;
110/220—Volt, 50 Hz, 3—Phase, 4—Wire, Delta.

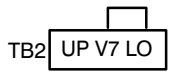


Meter Scale
Lamp Jumper
Located in
Meter Box

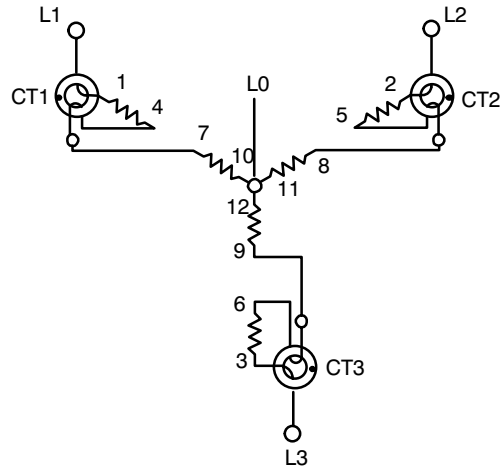
Note:
Current Transformer Dot Or
“HI” Toward Generator, for all
connections.



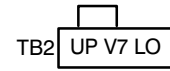
120/208 OR 139/240—Volt, 3—Phase, 4—Wire
Low Wye;
120/208 OR 110/190—Volt, 3—Phase, 4—Wire
Low Wye.



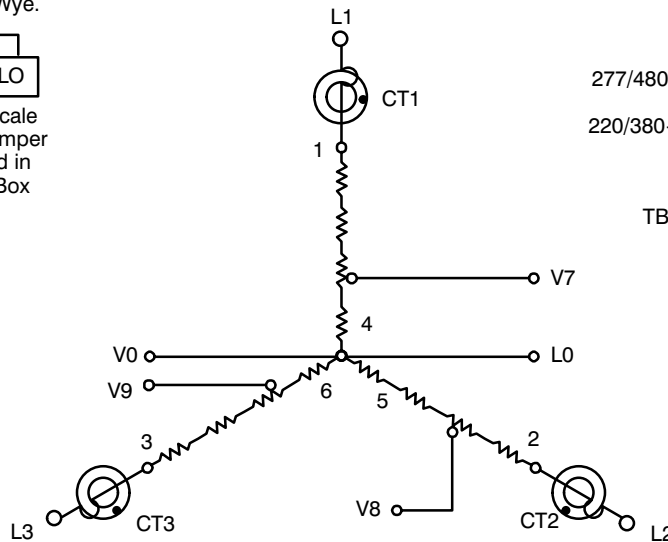
Meter Scale
Lamp Jumper
Located in
Meter Box



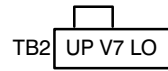
277/480—Volt, 60 Hz 3—Phase, 4—Wire
High Wye;
220/380—Volt, 50 Hz, 3—Phase, 4—Wire
High Wye.



Meter Scale
Lamp Jumper
Located in
Meter Box



600—Volt
6—Lead Stator.
Note:
Two Wire Turns
Through Each
Current Transformer.



Meter Scale
Lamp Jumper
Located in
Meter Box

Figure 3. Generator Connections