

---

## INSTALLATION INSTRUCTIONS

---

Original Issue Date: 1/91

Model: 900-1600 kW

Market: Industrial

Subject: **Flexible Fuel Line Kits PA-274648, PA-274648-SD, PA-328649, and PA-328649-SD**

KW	Kit
1200, 1500, 1600 900, 1000	PA-274648, PA-274648-SD PA-328649, PA-328649-SD

The flexible fuel line kit provides a flexible connection between the engine fuel fittings and the fuel tank plumbing. Observe the following safety precautions when installing the kit.



**Accidental starting.**  
**Can cause severe injury or death.**

Disconnect battery cables before working on generator set (disconnect negative lead first and reconnect it last).

**Disabling generator set. Accidental starting can cause severe injury or death.** Turn generator set master switch to OFF position, disconnect power to battery charger, and remove battery cables (remove negative lead first and reconnect it last) to disable generator set before working on the generator set or connected equipment. The generator set can be started by an automatic transfer switch or remote start/stop switch unless these precautions are followed.



**Explosive fuel vapors.**  
**Can cause severe injury or death.**

Use extreme care when handling, storing, and using fuels.

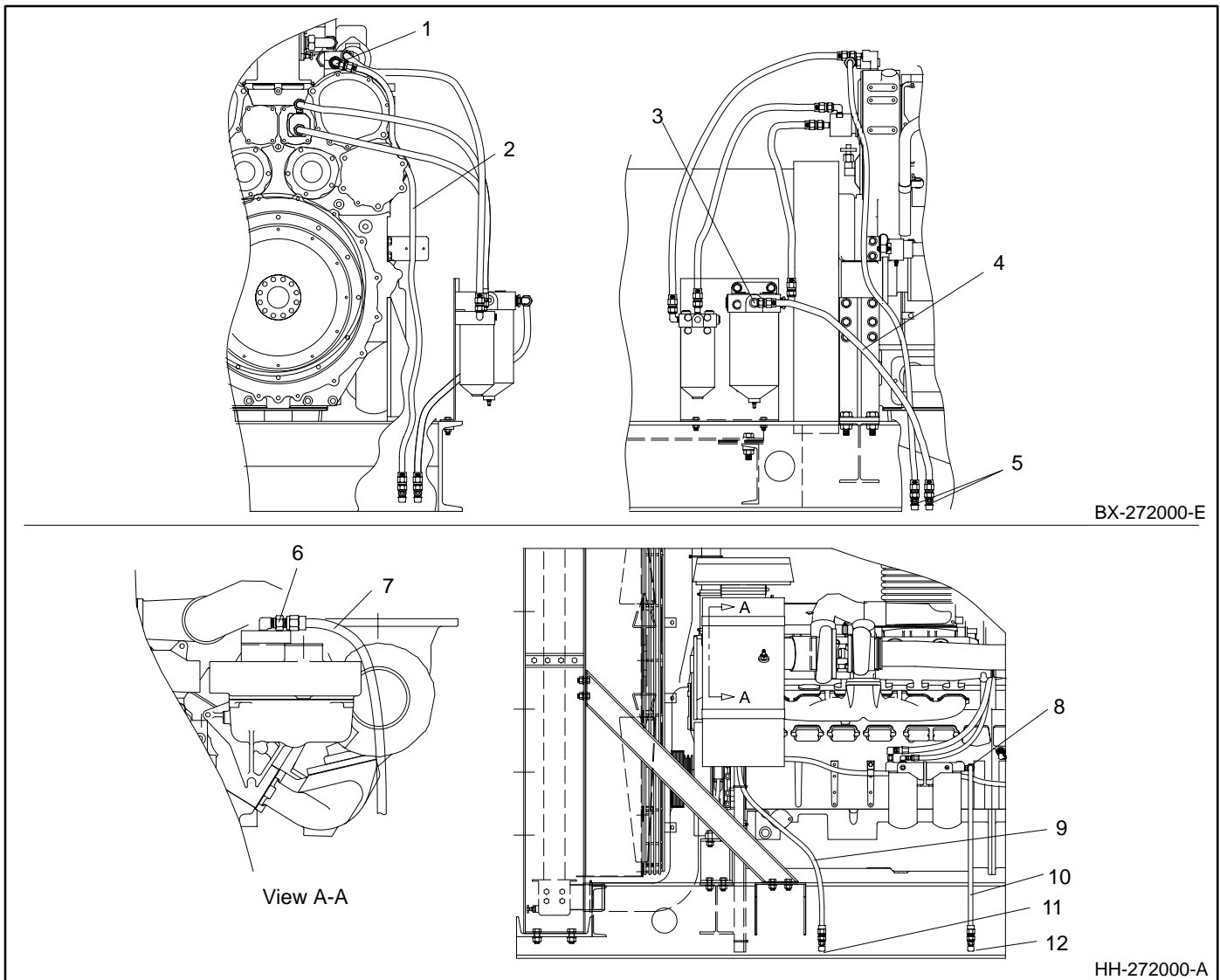
**Fuel system. Explosive fuel vapors can cause severe injury or death.** All fuels are highly explosive in a vapor state. Use extreme care when handling and storing fuels. Store fuel in a well-ventilated area away from spark-producing equipment and out of the reach of children. Never add fuel to the tank while the engine is running since spilled fuel may ignite on contact with hot parts or from ignition spark. Do not smoke or permit flame or spark to occur near sources of spilled fuel or fuel vapors. Keep fuel lines and connections tight and in good condition. Do not replace flexible fuel lines with rigid lines. Use flexible sections to avoid breakage caused by vibration. Do not operate generator set in the presence of fuel leaks, fuel accumulation, or sparks. Repair systems before resuming generator set operation.

**Fuel tanks. Explosive fuel vapors can cause severe injury or death.** Gasoline and other volatile fuels stored in day tanks or subbase fuel tanks can cause an explosion. Store only diesel fuel in tanks.

**Draining fuel system. Explosive fuel vapors can cause severe injury or death.** Spilled fuel can cause an explosion. Use a container to catch fuel when draining fuel system. Wipe up all spilled fuel after draining system.

## Installation

1. Place the generator set master switch in the OFF position.
2. Disconnect generator set engine starting battery(ies), negative (–) lead first.
3. Refer to Figure 1 for installation of the flexible fuel line kit. Remove and discard engine-supplied fuel lines. Apply pipe sealant to all threaded connections. Refer to Parts List for description of components.
4. Check that the generator set master switch is in the OFF position.
5. Reconnect engine starting battery(ies), negative (–) lead last.



- 1. Elbow
- 2. Flexible fuel line
- 3. Elbow
- 4. Flexible fuel line
- 5. Connector, female
- 6. Connector

- 7. Flexible fuel line
- 8. Elbow
- 9. Flexible fuel line
- 10. Flexible fuel line
- 11. Pipe cap
- 12. Pipe cap

**Figure 1. Flexible Fuel Line Connections**

**Flexible Fuel Line Kits**

Parts List			
Kits: PA-274648, PA-274648-SD, PA-328649, PA-328649-SD			
Qty.	Description	PA-274648 PA-274648-SD	PA-328649 PA-328649-SD
1	Cap, pipe		X-268-7
1	Cap, pipe		X-268-8
2	Connector		X-296-8
1	Connector, half-union		X-297-7
1	Elbow, 7/8-14 x 1/2		X-447-8
1	Elbow, 1 1/16-14 x 3/4	X-447-18	
1	Elbow, 1 1/16-14 x 1/2	X-447-19	
1	Line, flex fuel 7/8-14 x 35		274502
1	Line, flex fuel 7/8-14 x 63		274228
1	Line, flex fuel 1 1/16 x 49	344358	
2	Connector, female	347453	
1	Line, flex fuel 1 1/16 x 72	347495	